



Remotely monitor your equipment's oil level

- Improved transformer protection with electronic output and alarm functions
- Corrosion resistant materials provide long, trouble free life

Product Summary

Description Local reading level gauge and an electronic remote module offers continuous indication of the liquid level for a transformer's main tank, conservator tank or load tap changer compartment. Provides a variable resistive output to the remote module for continuous monitoring. Remote module has offset and separate high and low gain adjustments to allow for exact matching to the local reading level gage.

Application For local and remote monitoring of oil level in a transformer's main tank, load tap changers or conservator.



QUALITROL® 039 remote electronic oil level indicators

Remotely monitor your equipment's oil level

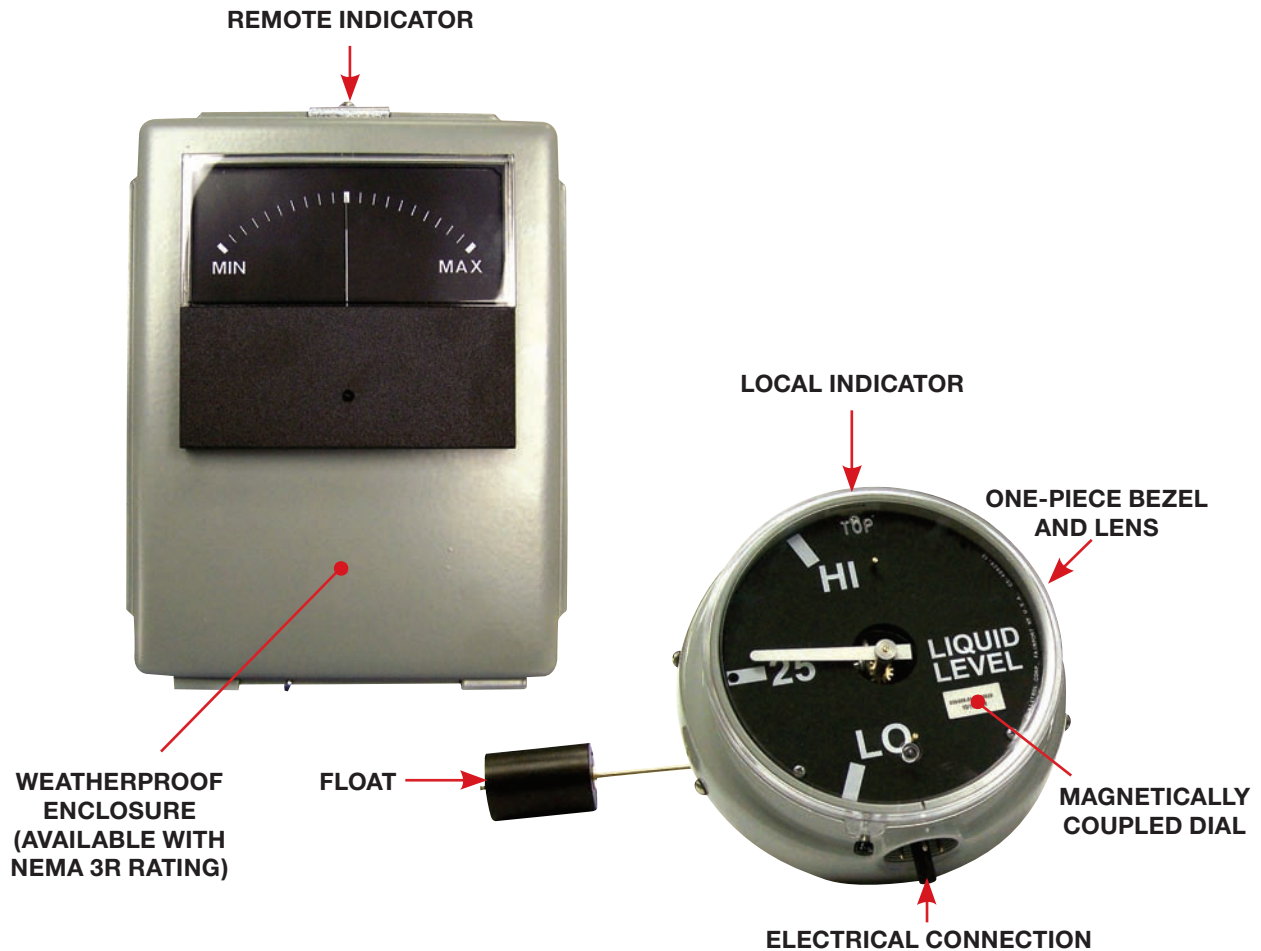
- Provides accurate indication of oil level in transformer tank or components
- Magnetically coupled level gauge is mounted on operating equipment while the remote indicator can be placed in a safer, more convenient location
- Easy to read "min-max" style remote indicator dial. Special printed dials are also available

Improved transformer protection with electronic output and alarm function

- Local indicator has switches for alarm triggering or controlling other auxiliary equipment
- Output from the electronic module may be a direct input to other system control equipment such as the QUALITROL 509 monitors
- Offset and high-low adjustments allow matching of the meter to the local mechanical level gauge

Corrosion resistant materials provide long, trouble free life

- Die cast aluminum casing is finished with a thermosetting powder coat
- Dial on the local indicator is magnetically coupled to the flange for easy replacement if damaged
- UV stabilized polycarbonate lens does not yellow with age
- Remote indicator available with a NEMA 3R enclosure for extra protection from the environment





TECHNICAL SPECIFICATIONS

Mechanical	Mounting	Flange mount
Dimensions	Local indication dial diameter	5.5" (139.7 mm)
	Electronic remote module	6.00" x 9.50" (152.4 mm x 241.3 mm)
	Remote reading level gauge diameter	7.12" (180.9 mm)
Materials	Case	Die-cast aluminum, ASA #70 light grey thermosetting powder coat finish
	Lens	UV stabilized polycarbonate
	Float	Nitrophyl, cork and stainless steel
Environmental	Std. operating temperatures	-4 to +162°F (-20 to +72°C.), -40 to +162°F (-40 to +72°C) with optional heater
	Ambient humidity (case)	10-100%
	Ambient humidity (remote indicator)	10 to 90% (standard), 10-100% with optional Nema 3R enclosure
	Vibration resistance	60-120 Hz, .004" displacement
	Shock resistance	10 G's horizontal plane
Electrical	Switch type	2 Dry type (SPDT) relays
	SCADA output [Current (load)]	4-20 mA (0-500 ohms), 0-1 mA (0-10k ohms)
	Output cable length	75 ft (22.9 m) maximum
	Switch rating	10A @ 30 VDC or 120/240 VAC
		1/3 HP @ 120 VAC
		1/2 HP @ 240 VAC
	Power	120/240 VAC ±15%, 50/60 Hz
	Span Sense Accuracy	±5% (of full scale)
	Repeatability	±3% (of full scale)
Dielectric strength	2,000 VAC for 60 seconds (TB1-2 to 15 PCB only. Do not hi-pot case assembly)	



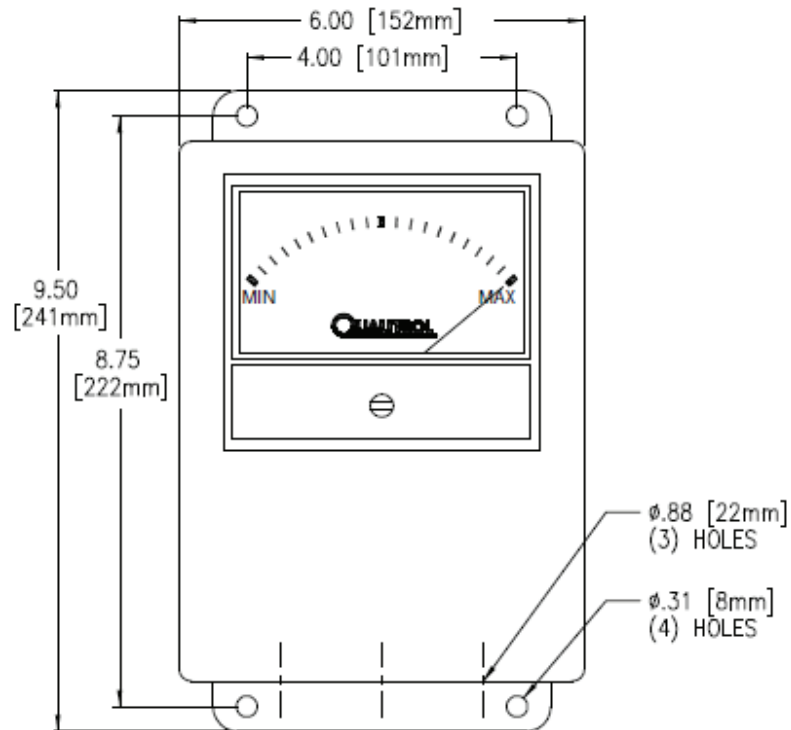
Don't see what you need?

QUALITROL regularly creates models with special customer requirements. Contact your local sales representative or QUALITROL Application Engineer to review your special requirements.

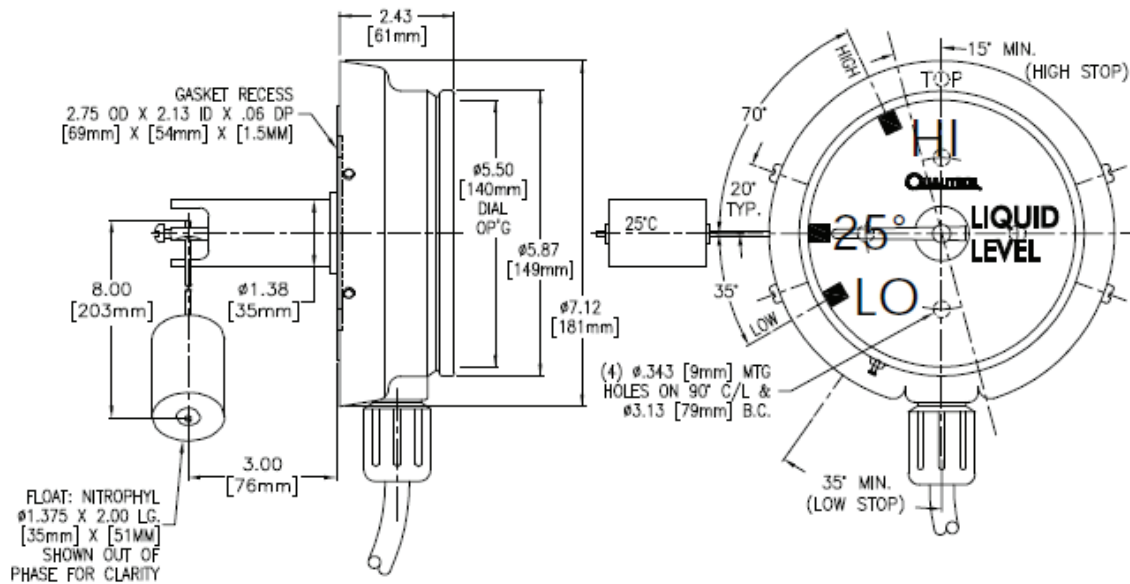


QUALITROL® 039 remote electronic oil level indicators

039 Series remote indicator



039 Series local indicator



©2008 QUALITROL® Company LLC, an ISO 9001 system certified company. All rights reserved. Information subject to change without notice. All trademarks are properties of their respective companies, as noted herein. AP-L18-02L-01E.