

2.0 X\$D Ultra[®] NEMA Premium[®] Extra Severe Duty Motors



2.1 X\$D Ultra[®] – Extra Severe Duty

- 2.1 Standard Features
- 2.2 Pricing
- 2.8 C-Face Pricing
- 2.9 High Torque Design C Pricing
- 2.10 460V Performance Data
- 2.13 575V Performance Data
- 2.16 Dimensions

2.18 X\$D Ultra[®] 841

- 2.18 Standard Features
- 2.19 Pricing
- 2.24 C-Face Pricing
- 2.25 460V Performance Data
- 2.28 575V Performance Data
- 2.31 Dimensions

2.33 X\$D Ultra[®] 661 for Heat Exchanger

- 2.33 Standard Features
- 2.34 Pricing
- 2.35 460V Performance Data
- 2.36 Dimensions

2.37 X\$D Ultra[®], X\$D Ultra[®] 841 and 661 Kits 140 to 449T

2.41 X\$D Ultra[®] Checklist for Value



Operational Excellence

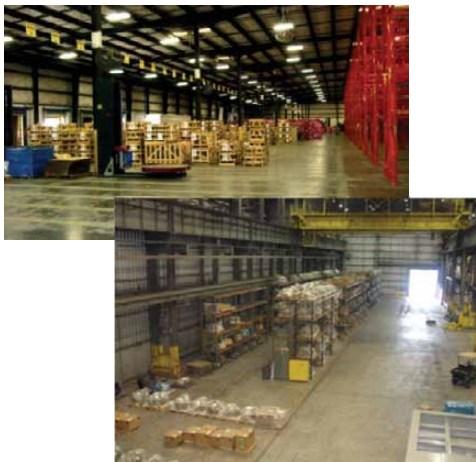


Localized Manufacturing

GE manufactures quality low voltage AC induction and DC motors in North America. We deliver through three U.S. warehouses and channel partners with the highest quality and integrity. GE is committed to deliver the most durable, reliable and energy efficient motors for your most challenging applications.

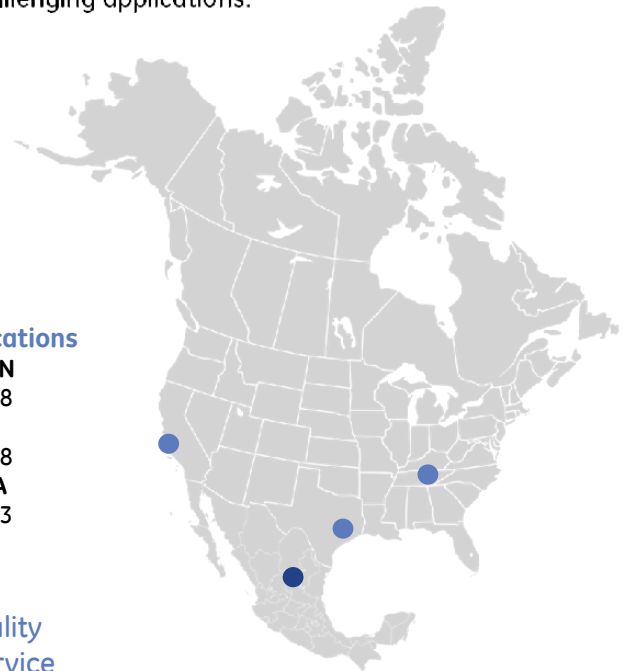
Monterrey, Mexico

Established in 1995, this modern and efficient motor plant employs over 520 people. Here, GE's professional manufacturing team continues to improve upon previous techniques and technologies to deliver quality products and meet customer needs.



Warehouse Locations

- **Mount Juliet, TN**
established 1988
- **Houston, TX**
established 2008
- **Los Angeles, CA**
established 1993



Legendary Quality
Exceptional Service
Innovative Solutions
Local Manufacturing & Distribution
Expect more with GE

X\$D Ultra®
*TEFC—Extra Severe
Duty (IP55)*

Standard Features



HP Range	0.75–300
Poles	2,4,6,8
Voltage	230/460, 460, 575
Agency Approvals	UL—Component and Insulation System Recognition, CSA—Motors and C-390 (CE and ATEX Zone 2 by custom order)
Altitude	3300 ft
Ambient	40°C, Alternate rating 65°C @ 1.0 SF
Balance/Vibration	ISO Grade 1, Ball Bearings: 0.040 in/sec (P)
Bearing Caps	143-449: Both ends are gasketed
Bearing Housing Rise	65°C
Bearing Protection	IP55—Recessed Slinger, Inpro Seal kit available
Bearing Type	Ball, Belted 4-pole 250-300 HP have Roller Brg
Centered Core	Allows F1-F2 field conversion
Conduit Box	Gasketed and rotatable in 90 degree increments, Cast iron
Div 2 Temp Codes	An optional Division 2 Nameplate or a statement of maximum internal and external surface temperature can be provided (see kit section)
Drains	Stainless Steel T-drains in lowest section of both endshields
Efficiency	Meets or exceeds NEMA Premium nominal. Exceeds all NEMA Premium minimum efficiencies.
End Shield	Cast Iron
Fan	Non-Sparking Plastic or Bronze
Fan Cover	Cast Iron
Fasteners	SAE, Grade 5
Foot Draft Angle	+/- 1.5 degrees
Foot Flatness	0.005 inches
Frame Material	Cast Iron
Frame Size	143-449
Frequency	60Hz and 50Hz rating stamped on nameplate
Grease	Polyurea
Ground	Ground lug in Conduit Box
Industry Specifications	Meets IEEE 45 Marine Duty
Insulation Class	Class H
Insulation System	GEGARD2400™ 143-449 frames. Non-Hygroscopic, Anti-Fungus, 2400Volt @ .1microsecond rise time. Exceeds NEMA MG1-31
Inverter Capabilities	Variable Torque inf:1, Constant Torque 20:1 (see Inverter Duty Capabilities, page iv)
L10 Bearing Life	Direct Coupled: 130,000 hrs, Belted: 26,280 hrs, Belted L10a 50,000
Lifting Means	4 lugs cast into frame
Mounting	F1 as Standard and Modifiable to F2
Mounting Holes	1 per foot (324 frame), 2 per foot (all other frames)
Nameplate	316 Stainless Steel Includes Weight, 3/4 Load Efficiency, Vibration Limit, Alternate Ambient, Service Factor and 60Hz and 50Hz data
NEMA Design	B
Paint	Buff, Epoxy ester
Relubrication	Both ends, extended through the fan cover
Roller Bearing	4P: 0.0004 in (P-P) 6P: 0.0005 in (P-P)
Rotor	Cast Aluminum
Service Factor	1.25 @ 40°C, Alternate 1.0 @ 65°C (a few exceptions are noted 152)
Shaft TIR	Meets IEEE 841, .001 in for shaft diameter 1.625 in and smaller, .0015 in for shaft diameter greater than 1.625 in.
Temperature Rise	80°C @ 1.0 SF
Tests	NEMA Report including Vibration supplied with motor, IEEE 112 Method B
Time Rating	Continuous
Vibration Pads	Cast in vibration pads for repeatable measurements
Warranty	60 months from date of installation or 66 months from date of manufacture, whichever occurs first

2.1
X\$D Ultra® TEFC

X\$D Ultra®
TEFC—Extra Severe Duty (IP55)

Pricing



Volts: 230/460, 460, 575
HP: 0.75 – 300

HP	RPM	Volts	Frame	FLA	Nom. Eff.	Guar. Min. Eff.	Cat. No.	List Price	Price Symbol	Norm. Stk.	Wt. (lbs)	C Dim. (in)	C-Face Kit	Notes
0.75	1200	230/460	143T	2.8/1.4	80.0	78.5	M480	\$980	G4-7U1	N	43	13.40	PB14A	
0.75	1200	575	143T	1.1	80.0	78.5	M481	\$980	G4-7U1	N	43	13.40	PB14A	
0.75	900	230/460	145T	3.8/1.9	72.0	70.0	M460	\$1,352	G4-7U1	N	50	13.40	PB14A	
0.75	900	575	145T	1.5	72.0	70.0	M477	\$1,352	G4-7U1	N	50	13.40	PB14A	
1	3600	230/460	143T	2.8/1.4	87.5	86.5	M462	\$927	G4-7U1	N	43	13.40	PB14A	55
1	3600	575	143T	1.1	87.5	86.5	M463	\$927	G4-7U1	N	43	13.40	PB14A	55
1	1800	230/460	143T	2.8/1.4	86.5	85.5	M482	\$839	G4-7U1	Y	43	11.60	PB14A	
1	1800	460	143T	1.4	86.5	85.5	M475	\$839	G4-7U1	N	43	11.60	PB14A	
1	1800	575	143T	1.1	86.5	85.5	M483	\$839	G4-7U1	Y	43	11.60	PB14A	
1	1200	230/460	145T	3.6/1.8	82.5	81.5	M484	\$1,040	G4-7U1	N	50	13.40	PB14A	
1	1200	460	145T	1.8	82.5	81.5	M476	\$1,040	G4-7U1	N	50	13.40	PB14A	
1	1200	575	145T	1.5	82.5	81.5	M485	\$1,040	G4-7U1	N	50	13.40	PB14A	
1	900	230/460	182T	4.4/2.2	80.0	78.5	M9871	\$1,229	G4-7U1	N	76	15.90	PB18A	55
1	900	460	182T	2.2	80.0	78.5	M9887	\$1,229	G4-7U1	N	76	15.90	PB18A	55
1	900	575	182T	1.8	80.0	78.5	M9872	\$1,229	G4-7U1	N	76	15.90	PB18A	55
1.5	3600	230/460	143T	4.0/2.0	87.5	86.5	M486	\$974	G4-7U1	Y	43	11.60	PB14A	55
1.5	3600	575	143T	1.6	87.5	86.5	M487	\$974	G4-7U1	N	43	11.60	PB14A	55
1.5	1800	230/460	145T	4.2/2.1	86.5	85.5	M492	\$932	G4-7U1	Y	50	11.60	PB14A	
1.5	1800	460	145T	2.1	86.5	85.5	M464	\$932	G4-7U1	N	50	11.60	PB14A	
1.5	1800	575	145T	1.7	86.5	85.5	M493	\$932	G4-7U1	Y	50	11.60	PB14A	
1.5	1200	230/460	182T	4.8/2.4	87.5	86.5	M9702	\$1,034	G4-7U1	N	76	15.90	PB18A	
1.5	1200	460	182T	2.4	87.5	86.5	M9943	\$1,034	G4-7U1	Y	76	15.90	PB18A	
1.5	1200	575	182T	1.9	87.5	86.5	M9703	\$1,034	G4-7U1	N	76	15.90	PB18A	
1.5	900	230/460	184T	6.4/3.2	80.0	78.5	M9873	\$1,451	G4-7U1	N	101	15.90	PB18A	
1.5	900	460	184T	3.2	80.0	78.5	M9888	\$1,451	G4-7U1	N	101	15.90	PB18A	
1.5	900	575	184T	2.6	80.0	78.5	M9874	\$1,451	G4-7U1	N	101	15.90	PB18A	
2	3600	230/460	145T	5.4/2.7	86.5	85.5	M490	\$1,038	G4-7U1	Y	50	11.60	PB14A	55
2	3600	460	143T	2.7	86.5	85.5	M465	\$1,038	G4-7U1	N	43	11.60	PB14A	55
2	3600	575	145T	2.2	86.5	85.5	M491	\$1,038	G4-7U1	N	50	11.60	PB14A	55
2	1800	230/460	145T	5.4/2.7	86.5	85.5	M488	\$1,026	G4-7U1	N	50	13.40	PB14A	
2	1800	460	145T	2.7	86.5	85.5	M494	\$1,026	G4-7U1	Y	50	13.40	PB14A	
2	1800	575	145T	2.2	86.5	85.5	M489	\$1,026	G4-7U1	Y	50	13.40	PB14A	
2	1200	230/460	184T	6.0/3.0	88.5	87.5	M9704	\$1,104	G4-7U1	N	101	15.90	PB18A	
2	1200	460	184T	3.0	88.5	87.5	M9944	\$1,104	G4-7U1	Y	101	15.90	PB18A	
2	1200	575	184T	2.5	88.5	87.5	M9706	\$1,104	G4-7U1	N	101	15.90	PB18A	
2	900	230/460	213T	7.6/3.8	86.5	85.5	M9875	\$1,733	G4-7U1	Y	200	20.10	PB21A	
2	900	460	213T	3.8	86.5	85.5	M9705	\$1,733	G4-7U1	N	200	20.10	PB21A	
2	900	575	213T	3.0	86.5	85.5	M9876	\$1,733	G4-7U1	N	200	20.10	PB21A	
3	3600	230/460	182T	7.8/3.9	89.5	88.5	M9713	\$1,001	G4-7U1	N	76	15.90	PB18A	55
3	3600	460	182T	3.9	89.5	88.5	M9939	\$1,001	G4-7U1	Y	76	15.90	PB18A	55
3	3600	575	182T	3.1	89.5	88.5	M9715	\$1,001	G4-7U1	N	76	15.90	PB18A	55

Notes:
55 TENV Construction

X\$D Ultra®
TEFC—Extra Severe Duty (IP55)

Pricing (cont.)



Volts: 230/460, 460, 575
HP: 0.75 – 300

HP	RPM	Volts	Frame	FLA	Nom. Eff.	Guar. Min. Eff.	Cat. No.	List Price	Price Symbol	Norm. Stk.	Wt. (lbs)	C Dim. (in)	C-Face Kit	Notes
3	1800	230/460	182T	8.4/4.2	89.5	88.5	M241	\$975	G4-7U1	N	76	15.90	PB18A	55
3	1800	460	182T	4.2	89.5	88.5	M9941	\$975	G4-7U1	Y	76	15.90	PB18A	55
3	1800	575	182T	3.3	89.5	88.5	M9711	\$975	G4-7U1	Y	76	15.90	PB18A	55
3	1200	230/460	213T	8.4/4.2	89.5	88.5	M9142	\$1,230	G4-7U1	N	200	20.10	PB21A	
3	1200	460	213T	4.2	89.5	88.5	M9111	\$1,230	G4-7U1	Y	200	20.10	PB21A	
3	1200	575	213T	3.4	89.5	88.5	M9712	\$1,230	G4-7U1	N	200	20.10	PB21A	
3	900	230/460	215T	10.6/5.3	86.5	85.5	M9877	\$2,165	G4-7U1	Y	220	20.10	PB21A	
3	900	460	215T	5.3	86.5	85.5	M9708	\$2,165	G4-7U1	N	220	20.10	PB21A	
3	900	575	215T	4.3	86.5	85.5	M9878	\$2,165	G4-7U1	N	220	20.10	PB21A	
5	3600	230/460	184T	12.4/6.2	90.2	89.5	M240	\$1,068	G4-7U1	N	101	15.90	PB18A	
5	3600	460	184T	6.2	90.2	89.5	M9940	\$1,068	G4-7U1	Y	101	15.90	PB18A	
5	3600	575	184T	4.9	90.2	89.5	M9722	\$1,068	G4-7U1	Y	101	15.90	PB18A	
5	1800	230/460	184T	13.2/6.6	89.5	88.5	M242	\$1,026	G4-7U1	N	101	15.90	PB18A	
5	1800	460	184T	6.6	89.5	88.5	M9942	\$1,026	G4-7U1	Y	101	15.90	PB18A	
5	1800	575	184T	5.3	89.5	88.5	M9718	\$1,026	G4-7U1	Y	101	15.90	PB18A	
5	1200	230/460	215T	13.4/6.7	89.5	88.5	M9143	\$1,748	G4-7U1	N	220	20.10	PB21A	
5	1200	460	215T	6.7	89.5	88.5	M9112	\$1,748	G4-7U1	Y	220	20.10	PB21A	
5	1200	575	215T	5.4	89.5	88.5	M9717	\$1,748	G4-7U1	N	220	20.10	PB21A	
5	900	230/460	254T	16.0/8.0	89.5	88.5	M9879	\$2,876	G4-7U1	Y	315	25.60	PB25A	
5	900	460	254T	8.0	89.5	88.5	M9719	\$2,876	G4-7U1	N	315	25.60	PB25A	
5	900	575	254T	6.4	89.5	88.5	M9880	\$2,876	G4-7U1	N	315	25.60	PB25A	
7.5	3600	230/460	213T	17.0/8.5	91.0	90.2	M9144	\$1,524	G4-7U1	N	200	20.10	PB21A	
7.5	3600	460	213T	8.5	91.0	90.2	M990	\$1,524	G4-7U1	Y	200	20.10	PB21A	
7.5	3600	575	213T	6.8	91.0	90.2	M9728	\$1,524	G4-7U1	Y	200	20.10	PB21A	
7.5	1800	230/460	213T	18.2/9.1	91.7	91.0	M9145	\$1,515	G4-7U1	N	200	20.10	PB21A	
7.5	1800	460	213T	9.1	91.7	91.0	M9911	\$1,515	G4-7U1	Y	200	20.10	PB21A	
7.5	1800	575	213T	7.2	91.7	91.0	M9730	\$1,515	G4-7U1	Y	200	20.10	PB21A	
7.5	1200	230/460	254T	19.6/9.8	91.7	91.0	M9146	\$2,321	G4-7U1	N	315	25.60	PB25A	
7.5	1200	460	254T	9.8	91.7	91.0	M9113	\$2,321	G4-7U1	Y	315	25.60	PB25A	
7.5	1200	575	254T	7.9	91.7	91.0	M9726	\$2,321	G4-7U1	N	315	25.60	PB25A	
7.5	900	230/460	256T	23.2/11.6	89.5	88.5	M9881	\$3,635	G4-7U1	Y	350	25.60	PB25A	
7.5	900	460	256T	11.6	89.5	88.5	M9724	\$3,635	G4-7U1	N	350	25.60	PB25A	
7.5	900	575	256T	9.3	89.5	88.5	M9882	\$3,635	G4-7U1	N	350	25.60	PB25A	
10	3600	230/460	215T	22.4/11.2	91.0	90.2	M9147	\$1,635	G4-7U1	N	220	20.10	PB21A	
10	3600	460	215T	11.2	91.0	90.2	M991	\$1,635	G4-7U1	Y	220	20.10	PB21A	
10	3600	575	215T	9.0	91.0	90.2	M9733	\$1,635	G4-7U1	Y	220	20.10	PB21A	
10	1800	230/460	215T	24.0/12.0	91.7	91.0	M9148	\$1,547	G4-7U1	N	220	20.10	PB21A	
10	1800	460	215T	12.0	91.7	91.0	M9912	\$1,547	G4-7U1	Y	220	20.10	PB21A	
10	1800	575	215T	9.6	91.7	91.0	M9738	\$1,547	G4-7U1	Y	220	20.10	PB21A	
10	1200	230/460	256T	26.0/13.0	91.0	90.2	M9149	\$2,847	G4-7U1	N	350	25.60	PB25A	
10	1200	460	256T	13.0	91.0	90.2	M9114	\$2,847	G4-7U1	Y	350	25.60	PB25A	
10	1200	575	256T	10.5	91.0	90.2	M9737	\$2,847	G4-7U1	N	350	25.60	PB25A	

Notes:
55 TENV Construction

X\$D Ultra®
TEFC—Extra Severe Duty (IP55)

Pricing (cont.)



Volts: 230/460, 460, 575
HP: 0.75 – 300

HP	RPM	Volts	Frame	FLA	Nom. Eff.	Guar. Min. Eff.	Cat. No.	List Price	Price Symbol	Norm. Stk.	Wt. (lbs)	C Dim. (in)	C-Face Kit	Notes
10	900	230/460	284T	27.4/13.7	90.2	89.5	M9883	\$4,242	G4-7U1	Y	460	28.58	PB28A	
10	900	460	284T	13.7	90.2	89.5	M9736	\$4,242	G4-7U1	N	460	28.58	PB28A	
10	900	575	284T	11.0	90.2	89.5	M9884	\$4,242	G4-7U1	N	460	28.58	PB28A	
15	3600	230/460	254T	35.0/17.5	91.7	91.0	M9150	\$2,244	G4-7U1	N	315	25.60	PB25A	
15	3600	460	254T	17.5	91.7	91.0	M992	\$2,244	G4-7U1	Y	315	25.60	PB25A	
15	3600	575	254T	14.0	91.7	91.0	M9741	\$2,244	G4-7U1	Y	315	25.60	PB25A	
15	1800	230/460	254T	36.0/18.0	92.4	91.7	M9151	\$2,127	G4-7U1	N	315	25.60	PB25A	
15	1800	460	254T	18.0	92.4	91.7	M9913	\$2,127	G4-7U1	Y	315	25.60	PB25A	
15	1800	575	254T	14.4	92.4	91.7	M9745	\$2,127	G4-7U1	Y	315	25.60	PB25A	
15	1200	230/460	284T	39.0/19.5	91.7	91.0	M9152	\$3,788	G4-7U1	N	460	28.58	PB28A	
15	1200	460	284T	19.5	91.7	91.0	M9115	\$3,788	G4-7U1	Y	460	28.58	PB28A	
15	1200	575	284T	15.6	91.7	91.0	M9746	\$3,788	G4-7U1	N	460	28.58	PB28A	
15	900	230/460	286T	40.6/20.3	90.2	89.5	M9885	\$5,526	G4-7U1	Y	510	28.58	PB28A	152
15	900	460	286T	20.3	90.2	89.5	M9742	\$5,526	G4-7U1	N	510	28.58	PB28A	152
15	900	575	286T	16.3	90.2	89.5	M9886	\$5,526	G4-7U1	N	510	28.58	PB28A	152
20	3600	230/460	256T	45.2/22.6	92.4	91.7	M9153	\$2,702	G4-7U1	N	350	25.60	PB25A	
20	3600	460	256T	22.6	92.4	91.7	M993	\$2,702	G4-7U1	Y	350	25.60	PB25A	
20	3600	575	256T	18.1	92.4	91.7	M9749	\$2,702	G4-7U1	Y	350	25.60	PB25A	
20	1800	230/460	256T	46.6/23.3	93.0	92.4	M9154	\$2,541	G4-7U1	N	350	25.60	PB25A	
20	1800	460	256T	23.3	93.0	92.4	M9914	\$2,541	G4-7U1	Y	350	25.60	PB25A	
20	1800	575	256T	18.6	93.0	92.4	M9751	\$2,541	G4-7U1	Y	350	25.60	PB25A	
20	1200	230/460	286T	51.6/25.8	91.7	91.0	M9155	\$4,625	G4-7U1	N	510	28.58	PB28A	
20	1200	460	286T	25.8	91.7	91.0	M9117	\$4,625	G4-7U1	Y	510	28.58	PB28A	
20	1200	575	286T	20.7	91.7	91.0	M9755	\$4,625	G4-7U1	N	510	28.58	PB28A	
20	900	460	324T	29.8	91.0	90.2	M9748	\$6,756	G4-7U1	Y	649	30.54	A761	
20	900	575	324T	23.9	91.0	90.2	M8950	\$6,756	G4-7U1	N	649	30.54	A761	
25	3600	230/460	284TS	55.6/27.8	93.0	92.4	M9156	\$3,384	G4-7U1	N	460	27.20	PB28A	
25	3600	460	284TS	27.8	93.0	92.4	M994	\$3,384	G4-7U1	Y	460	27.20	PB28A	
25	3600	575	284TS	22.2	93.0	92.4	M9838	\$3,384	G4-7U1	Y	460	27.20	PB28A	
25	1800	230/460	284T	59.2/29.6	93.6	93.0	M9157	\$3,243	G4-7U1	N	460	28.58	PB28A	
25	1800	460	284T	29.6	93.6	93.0	M9935	\$3,243	G4-7U1	Y	460	28.58	PB28A	
25	1800	575	284T	23.7	93.6	93.0	M9759	\$3,243	G4-7U1	Y	460	28.58	PB28A	
25	1200	230/460	324T	64.6/32.3	93.0	92.4	M9158	\$5,502	G4-7U1	N	679	30.54	A761	
25	1200	460	324T	32.3	93.0	92.4	M9119	\$5,502	G4-7U1	Y	679	30.54	A761	
25	1200	575	324T	25.8	93.0	92.4	M9758	\$5,502	G4-7U1	N	679	30.54	A761	
25	900	460	326T	37.0	91.0	90.2	M9761	\$8,420	G4-7U1	Y	710	32.04	A761	
25	900	575	326T	29.2	91.0	90.2	M9762	\$8,420	G4-7U1	N	710	32.04	A761	
30	3600	230/460	286TS	66.4/33.2	93.0	92.4	M9159	\$3,980	G4-7U1	N	510	27.20	PB28A	152
30	3600	460	286TS	33.2	93.0	92.4	M995	\$3,980	G4-7U1	Y	510	27.20	PB28A	152
30	3600	575	286TS	26.7	93.0	92.4	M9828	\$3,980	G4-7U1	Y	510	27.20	PB28A	152

Notes:
152 Rated 1.15 SF @ 40°C, 1.0 SF @ 65°C

X\$D Ultra®
TEFC—Extra Severe Duty (IP55)
Pricing (cont.)



Volts: 230/460, 460, 575
HP: 0.75 – 300

HP	RPM	Volts	Frame	FLA	Nom. Eff.	Guar. Min. Eff.	Cat. No.	List Price	Price Symbol	Norm. Stk.	Wt. (lbs)	C Dim. (in)	C-Face Kit	Notes
30	1800	230/460	286T	70.6/35.3	93.6	93.0	M9160	\$3,788	G4-7U1	N	510	28.58	PB28A	
30	1800	460	286T	35.3	93.6	93.0	M9937	\$3,788	G4-7U1	Y	510	28.58	PB28A	
30	1800	575	286T	28.2	93.6	93.0	M9764	\$3,788	G4-7U1	Y	510	28.58	PB28A	
30	1200	230/460	326T	76.4/38.2	93.0	92.4	M9161	\$6,276	G4-7U1	N	730	32.04	A761	
30	1200	460	326T	38.2	93.0	92.4	M9122	\$6,276	G4-7U1	Y	730	32.04	A761	
30	1200	575	326T	30.8	93.0	92.4	M9834	\$6,276	G4-7U1	N	730	32.04	A761	
30	900	460	364T	42.2	92.4	91.7	M9767	\$9,846	G4-7U	Y	1010	34.89	A763	
30	900	575	364T	33.8	92.4	91.7	M9766	\$9,846	G4-7U	N	1010	34.89	A763	
40	3600	460	324T	46.8	94.1	93.6	M9820	\$4,952	G4-7U1	N	649	30.54	A761	
40	3600	230/460	324TS	93.6/46.8	94.1	93.6	M9162	\$4,952	G4-7U1	N	649	29.04	A762	
40	3600	460	324TS	46.8	94.1	93.6	M996	\$4,952	G4-7U1	Y	649	29.04	A762	
40	3600	575	324TS	37.4	94.1	93.6	M9829	\$4,952	G4-7U1	Y	649	29.04	A762	
40	1800	230/460	324T	101.6/50.8	94.5	94.1	M9163	\$4,908	G4-7U1	N	689	30.54	A761	
40	1800	460	324T	50.8	94.5	94.1	M9915	\$4,908	G4-7U1	Y	689	30.54	A761	
40	1800	575	324T	40.6	94.5	94.1	M9768	\$4,908	G4-7U1	Y	689	30.54	A761	
40	1800	460	324TS	50.8	94.5	94.1	M9916	\$4,908	G4-7U1	N	689	29.04	A762	
40	1200	460	364T	49.4	94.1	93.6	M9124	\$8,657	G4-7U	Y	1030	34.89	A763	
40	1200	575	364T	39.8	94.1	93.6	M9835	\$8,657	G4-7U	N	1030	34.89	A763	
40	900	460	365T	55.9	93.0	92.4	M9770	\$12,144	G4-7U	N	1090	34.89	A763	
40	900	575	365T	45.0	93.0	92.4	M9534	\$12,144	G4-7U	N	1090	34.89	A763	
50	3600	460	326T	57.3	94.5	94.1	M9823	\$6,335	G4-7U1	N	700	32.04	A761	
50	3600	230/460	326TS	114.6/57.3	94.5	94.1	M9164	\$6,335	G4-7U1	N	700	30.48	A762	
50	3600	460	326TS	57.3	94.5	94.1	M997	\$6,335	G4-7U1	Y	700	30.48	A762	
50	3600	575	326TS	45.5	94.5	94.1	M9839	\$6,335	G4-7U1	Y	700	30.48	A762	
50	1800	230/460	326T	127.8/63.9	94.5	94.1	M9165	\$5,754	G4-7U1	N	740	32.04	A761	
50	1800	460	326T	63.9	94.5	94.1	M9917	\$5,754	G4-7U1	Y	740	32.04	A761	
50	1800	575	326T	51.1	94.5	94.1	M9765	\$5,754	G4-7U1	Y	740	32.04	A761	
50	1800	460	326TS	63.9	94.5	94.1	M9918	\$5,754	G4-7U1	N	740	30.48	A762	
50	1200	460	365T	62.2	94.1	93.6	M9126	\$10,050	G4-7U	Y	1070	34.89	A763	
50	1200	575	365T	49.7	94.1	93.6	M9775	\$10,050	G4-7U	N	1070	34.89	A763	
50	900	460	404T	66.6	93.0	92.4	M9773	\$14,654	G4-7U	N	1490	39.77	A765	
50	900	575	404T	53.0	93.0	92.4	M9535	\$14,654	G4-7U	N	1490	39.77	A765	
60	3600	460	364TS	70.4	95.0	94.5	M998	\$8,816	G4-7U	Y	940	32.76	A764	
60	3600	575	364TS	56.3	95.0	94.5	M9847	\$8,816	G4-7U	N	940	32.76	A764	
60	1800	460	364T	71.2	95.0	94.5	M9919	\$8,633	G4-7U	Y	1020	34.89	A763	152
60	1800	575	364T	56.6	95.0	94.5	M9776	\$8,633	G4-7U	Y	1020	34.89	A763	152
60	1800	460	364TS	71.2	95.0	94.5	M9921	\$8,633	G4-7U	Y	1020	32.76	A764	152
60	1200	460	404T	72.5	95.0	94.5	M9128	\$11,691	G4-7U	Y	1480	39.77	A765	
60	1200	575	404T	58.0	95.0	94.5	M9837	\$11,691	G4-7U	N	1480	39.77	A765	

Notes:
152 Rated 1.15 SF @ 40°C, 1.0 SF @ 65°C

2.5
X\$D Ultra® TEFC

X\$D Ultra®
TEFC—Extra Severe Duty (IP55)

Pricing (cont.)



Volts: 230/460, 460, 575
HP: 0.75 – 300

HP	RPM	Volts	Frame	FLA	Nom. Eff.	Guar. Min. Eff.	Cat. No.	List Price	Price Symbol	Norm. Stk.	Wt. (lbs)	C Dim. (in)	C-Face Kit	Notes
60	900	460	405T	78.9	93.0	92.4	M9778	\$18,000	G4-7U	N	1570	39.77	A765	
60	900	575	405T	63.1	93.0	92.4	M9536	\$18,000	G4-7U	N	1570	39.77	A765	
75	3600	460	365TS	90.4	95.8	95.4	M999	\$10,823	G4-7U	Y	970	32.76	A764	
75	3600	575	365TS	72.3	95.8	95.4	M9830	\$10,823	G4-7U	N	970	32.76	A764	
75	1800	460	365T	87.1	95.4	95.0	M9922	\$10,466	G4-7U	Y	1080	34.89	A763	152
75	1800	575	365T	69.7	95.4	95.0	M9781	\$10,466	G4-7U	Y	1080	34.89	A763	152
75	1800	460	365TS	87.1	95.4	95.0	M9923	\$10,466	G4-7U	N	1080	32.76	A764	152
75	1200	460	405T	89.6	95.0	94.5	M9131	\$12,996	G4-7U	Y	1540	39.77	A765	
75	1200	575	405T	71.2	95.0	94.5	M9868	\$12,996	G4-7U	N	1540	39.77	A765	
75	900	460	444T	94.0	94.5	94.1	M9780	\$22,523	G4-7U	N	1950	45.62	A767	
75	900	575	444T	75.2	94.5	94.1	M9537	\$22,523	G4-7U	N	1950	45.62	A767	
100	3600	460	405TS	108.0	95.4	95.0	M9510	\$14,013	G4-7U	Y	1530	36.76	A766	
100	3600	575	405TS	86.3	95.4	95.0	M9831	\$14,013	G4-7U	N	1530	36.76	A766	
100	1800	460	405T	119.0	95.8	95.4	M9924	\$12,926	G4-7U	Y	1480	39.77	A765	
100	1800	575	405T	95.3	95.8	95.4	M9779	\$12,926	G4-7U	Y	1480	39.77	A765	
100	1800	460	405TS	119.0	95.8	95.4	M9925	\$12,926	G4-7U	Y	1480	36.76	A766	
100	1200	460	444T	116.0	95.4	95.0	M9133	\$17,504	G4-7U	Y	2060	45.62	A767	
100	1200	575	444T	93.4	95.4	95.0	M9846	\$17,504	G4-7U	N	2060	45.62	A767	
100	900	460	445T	125.0	94.5	94.1	M9782	\$28,538	G4-7U	N	2020	45.62	A767	
100	900	575	445T	100.0	94.5	94.1	M8953	\$28,538	G4-7U	N	2020	45.62	A767	
125	3600	460	444TS	139.0	95.4	95.0	M9511	\$18,305	G4-7U	Y	1790	41.87	A768	
125	3600	575	444TS	112.0	95.4	95.0	M9538	\$18,305	G4-7U	N	1790	41.87	A768	
125	1800	460	444T	144.0	95.8	95.4	M9926	\$17,006	G4-7U	Y	1970	45.62	A767	
125	1800	575	444T	115.0	95.8	95.4	M9832	\$17,006	G4-7U	N	1970	45.62	A767	
125	1800	460	444TS	144.0	95.8	95.4	M9927	\$17,006	G4-7U	Y	1970	41.87	A768	
125	1200	460	445T	150.0	95.4	95.0	M9135	\$21,086	G4-7U	Y	2130	45.62	A767	
125	1200	575	445T	120.0	95.4	95.0	M9870	\$21,086	G4-7U	N	2130	45.62	A767	
125	900	460	447T	155.0	95.0	94.5	M9784	\$31,778	G4-7U	Y	2580	52.12	A767	
125	900	575	447T	124.0	95.0	94.5	M8954	\$31,778	G4-7U	N	2580	52.12	A767	
150	3600	460	445TS	165.0	95.8	95.4	M9512	\$22,011	G4-7U	Y	1860	41.87	A768	
150	3600	575	445TS	132.0	95.8	95.4	M8955	\$22,011	G4-7U	N	1860	41.87	A768	152
150	1800	460	445T	170.0	96.2	95.8	M9928	\$19,785	G4-7U	Y	2090	45.62	A767	
150	1800	575	445T	137.0	96.2	95.8	M9854	\$19,785	G4-7U	N	2060	45.62	A767	
150	1800	460	445TS	170.0	96.2	95.8	M9929	\$19,785	G4-7U	Y	2090	41.87	A768	
150	1200	460	447T	171.0	95.8	95.4	M9137	\$25,545	G4-7U	Y	2860	52.12	A767	
150	1200	575	447T	137.0	95.8	95.4	M9869	\$25,545	G4-7U	N	2860	52.12	A767	

Notes:
152 Rated 1.15 SF @ 40°C, 1.0 SF @ 65°C

X\$D Ultra®
TEFC—Extra Severe Duty (IP55)
Pricing (cont.)



Volts: 230/460, 460, 575
HP: 0.75 – 300

HP	RPM	Volts	Frame	FLA	Nom. Eff.	Guar. Min. Eff.	Cat. No.	List Price	Price Symbol	Norm. Stk.	Wt. (lbs)	C Dim. (in)	C-Face Kit	Notes
150	900	460	449T	184.0	95.0	94.5	M9785	\$34,653	G4-7U	N	3150	52.12	A767	
150	900	575	449T	147.0	95.0	94.5	M8956	\$34,653	G4-7U	N	3120	52.12	A767	
200	3600	460	447TS	214.0	95.8	95.4	M9961	\$27,866	G4-7U	Y	2560	50.37	A768	66
200	3600	460	447TS	214.0	95.8	95.4	M9995	\$27,866	G4-7U	N	2560	50.37	A768	62
200	3600	575	447TS	170.0	95.8	95.4	M8957	\$27,866	G4-7U	N	2560	50.37	A768	66
200	1800	460	447T	222.0	96.5	96.2	M9991	\$24,818	G4-7U	Y	2610	52.12		98
200	1800	460	447T	222.0	96.5	96.2	M9958	\$24,818	G4-7U	Y	2610	52.12	A767	
200	1800	575	447T	177.0	96.5	96.2	M9959	\$24,818	G4-7U	N	2610	52.12	A767	
200	1200	460	449LL	229.0	95.8	95.4	M9141	\$28,580	G4-7U	N	3070	54.12	A767	
200	1200	460	449T	229.0	95.8	95.4	M9139	\$28,580	G4-7U	Y	3070	52.12	A767	
200	1200	575	449T	183.0	95.8	95.4	M9845	\$28,580	G4-7U	N	3070	52.12	A767	
250	3600	460	449TS	265.0	95.8	95.4	M9514	\$35,903	G4-7U	Y	2770	50.37	A768	66, 152
250	3600	460	449TS	265.0	95.8	95.4	M9996	\$35,903	G4-7U	N	2770	50.37	A768	62
250	3600	575	449TS	211.0	95.8	95.4	M8959	\$35,903	G4-7U	N	2770	50.37	A768	66
250	1800	460	449T	276.0	96.5	96.2	M9988	\$29,021	G4-7U	Y	3010	54.12	A767	152
250	1800	460	449T	280.0	96.2	95.8	M9933	\$29,021	G4-7U	Y	2790	54.12		98, 152
250	1800	575	449T	218.0	96.5	96.2	M9989	\$29,021	G4-7U	N	3010	54.12	A767	152
250	1800	575	449T	224.0	96.2	95.8	M9851	\$29,021	G4-7U	N	2790	54.12		98, 152
250	1200	460	449T	296.0	95.8	95.4	M8963	\$36,180	G4-7U	Y	3150	54.12	A767	
300	3600	460	449TS	319.0	95.8	95.4	M8960	\$44,522	G4-7U	Y	2790	50.37	A768	66, 152
300	3600	575	449TS	255.0	95.8	95.4	M8961	\$44,522	G4-7U	N	2790	50.37	A768	66, 152
300	1800	460	449T	334.0	96.2	95.8	M9990	\$33,981	G4-7U	Y	2980	54.12	A767	
300	1800	460	449T	334.0	96.2	95.8	M9906	\$33,981	G4-7U	Y	2980	54.12		98, 107
300	1800	575	449T	265.0	96.5	96.2	M9907	\$33,981	G4-7U	N	3030	54.12	A767	
300	1800	575	449T	265.0	96.5	96.2	M8962	\$33,981	G4-7U	N	3030	54.12		98, 152

- Notes:**
- 62 Connected for CCW rotation facing opposite shaft end. No reconnection possible.
 - 66 CW rotation only facing opposite drive-end. CCW rotation available, but must be specified on the order.
 - 107 Y-start / Δ-Run capable
 - 152 Rated 1.15 SF @ 40°C, 1.0 SF @ 65°C

2.7
X\$D Ultra® TEFC

GE
Power Conversion

Section 2 – X\$D Ultra® Motors

X\$D Ultra®
TEFC—Extra Severe Duty (IP55)
C-Face



Pricing

Volts: 230/460, 460
HP: 0.75 – 50

HP	RPM	Volts	Frame	FLA	Nom. Eff.	Guar. Min. Eff.	Cat. No.	List Price	Price Symbol	Norm. Stk.	Wt. (lbs)	C Dim. (in)	Notes
0.75	1200	230/460	143TC	2.8/1.4	80.0	78.5	M496	\$1,083	G4-7U1	N	43	13.92	
1	1800	230/460	143TC	2.8/1.4	86.5	85.5	M497	\$942	G4-7U1	Y	43	13.92	
1	1800	460	143TC	1.4	86.5	85.5	M478	\$1,020	G4-7U1	N	43	13.92	152
1	1200	230/460	145TC	3.6/1.8	82.5	81.5	M498	\$1,143	G4-7U1	Y	50	13.92	
1.5	1800	230/460	145TC	4.2/2.1	86.5	85.5	M499	\$1,035	G4-7U1	Y	50	13.92	
1.5	1800	460	145TC	2.1	86.5	85.5	M479	\$1,035	G4-7U1	N	50	13.92	
1.5	1200	460	182TC	2.4	87.5	86.5	M9946	\$1,026	G4-7U1	Y	76	16.65	
2	1800	230/460	145TC	5.4/2.7	86.5	85.5	M500	\$1,130	G4-7U1	Y	50	13.92	
2	1200	460	184TC	3.0	88.5	87.5	M9948	\$1,133	G4-7U1	Y	101	16.65	
3	3600	460	182TC	3.9	89.5	88.5	M9945	\$1,134	G4-7U1	Y	76	16.65	55
3	1800	460	182TC	4.2	89.5	88.5	M9889	\$1,109	G4-7U1	Y	76	16.65	55
3	1200	460	213TC	4.2	89.5	88.5	M9950	\$1,350	G4-7U1	Y	200	20.90	
5	3600	460	184TC	6.2	90.2	89.5	M9947	\$1,188	G4-7U1	Y	101	16.65	
5	1800	460	184TC	6.6	89.5	88.5	M9890	\$1,146	G4-7U1	Y	101	16.65	
5	1200	460	215TC	6.7	89.5	88.5	M9952	\$1,868	G4-7U1	Y	220	20.90	
7.5	3600	460	213TC	8.5	91.0	90.2	M9949	\$1,655	G4-7U1	Y	200	20.90	
7.5	1800	460	213TC	9.1	91.7	91.0	M9891	\$1,646	G4-7U1	Y	200	20.90	
7.5	1200	460	254TC	9.8	91.7	91.0	M9954	\$2,477	G4-7U1	Y	315	26.09	
10	3600	460	215TC	11.2	91.0	90.2	M9951	\$1,755	G4-7U1	Y	220	20.90	
10	1800	460	215TC	12.0	91.7	91.0	M9892	\$1,667	G4-7U1	Y	220	20.60	
10	1200	460	256TC	13.0	91.0	90.2	M9956	\$3,003	G4-7U1	Y	350	26.09	
15	3600	460	254TC	17.5	91.7	91.0	M9953	\$2,390	G4-7U1	Y	315	26.09	
15	1800	460	254TC	18.0	92.4	91.7	M9893	\$2,283	G4-7U1	Y	315	26.09	
15	1200	460	284TC	19.5	91.7	91.0	M9901	\$4,008	G4-7U1	Y	460	28.58	
20	3600	460	256TC	22.6	92.4	91.7	M9955	\$2,858	G4-7U1	Y	350	26.09	
20	1800	460	256TC	23.3	93.0	92.4	M9894	\$2,697	G4-7U1	Y	350	26.09	
20	1200	460	286TC	25.8	91.7	91.0	M9902	\$4,845	G4-7U1	N	510	28.58	
25	3600	460	284TSC	27.8	93.0	92.4	M9903	\$3,605	G4-7U1	N	460	27.20	
25	1800	460	284TC	29.6	93.6	93.0	M9895	\$3,464	G4-7U1	Y	460	28.58	
30	3600	460	286TSC	33.2	93.0	92.4	M9904	\$4,200	G4-7U1	N	510	27.20	152
30	1800	460	286TC	35.3	93.6	93.0	M9896	\$4,007	G4-7U1	Y	510	28.58	
40	3600	460	324TSC	46.3	94.1	93.6	M8964	\$5,271	G4-7U1	N	649	29.04	
40	1800	460	324TC	49.8	94.5	94.1	M8965	\$5,228	G4-7U1	Y	689	30.54	
50	3600	460	326TSC	56.9	94.5	94.1	M8966	\$6,654	G4-7U1	N	700	30.48	
50	1800	460	326TC	62.3	94.5	94.1	M8967	\$6,164	G4-7U1	Y	740	32.04	

Notes:
55 TENV Construction
C-Face ratings through 300HP, 449T Frame are available by custom order
152 Rated 1.15 SF @ 40°C, 1.0 SF @ 65°C

2.8

X\$D Ultra® TEFC

GE
Power Conversion

Section 2 – X\$D Ultra® Motors

X\$D Ultra®
TEFC—Extra Severe Duty (IP55)
NEMA Design C (KGS Plus)—High Torque



Pricing

Volts: 460
HP: 40 - 300

HP	RPM	Volts	Frame	FLA	Nom. Eff.	Guar. Min. Eff.	Cat. No.	List Price	Price Symbol	Norm. Stk.	Wt. (lbs)	C Dim. (in)	Starting Torque (lb-ft)	Breakdown Torque (lb-ft)	Notes
40	1200	460	364T	50.6	93.0	92.4	M8982	\$9,407	G4-7U	N	1000	34.89	443	454	98, 99
50	1200	460	365T	63.3	93.0	92.4	M8983	\$10,800	G4-7U	N	1030	34.89	551	553	98, 99
60	1800	460	364T	72.5	94.5	94.1	M8992	\$9,383	G4-7U	Y	1030	34.89	456	422	98, 99
60	1200	460	404T	73.2	94.1	93.6	M8984	\$12,441	G4-7U	N	1480	39.77	590	625	98, 99
75	1800	460	365T	89.5	94.5	94.1	M8993	\$11,216	G4-7U	Y	1090	34.89	594	521	98, 99
75	1200	460	405T	91.0	94.1	93.6	M8985	\$13,746	G4-7U	N	1530	39.77	742	782	98, 99
100	1800	460	405T	118.0	95.4	95.0	M8994	\$13,676	G4-7U	Y	1500	39.77	700	679	98, 99
100	1200	460	444T	123.0	93.0	92.4	M8986	\$18,254	G4-7U	N	1920	45.62	1118	1032	98, 99
125	1800	460	444T	145.0	95.8	95.4	M8995	\$17,756	G4-7U	Y	1970	45.62	762	924	98, 99
125	1200	460	445T	149	93.6	93	M8987	\$23,380	G4-7U	N	2140	45.62	1324	1358	98, 99
150	1800	460	445T	173.0	95.8	95.4	M8996	\$20,535	G4-7U	Y	2060	45.62	1105	1083	98, 99
150	1200	460	447T	185.0	94.5	94.1	M8988	\$26,295	G4-7U	N	2700	54.12	1420	1486	98, 99
200	1800	460	447T	229.0	95.8	95.4	M8997	\$25,568	G4-7U	Y	2700	54.12	1662	1503	98, 99
200	1200	460	449T	243.0	95.0	94.5	M8989	\$29,330	G4-7U	N	3070	54.12	2433	2159	98, 99
250	1800	460	449T	282.0	95.8	95.4	M8998	\$29,771	G4-7U	Y	2980	54.12	2137	1843	98, 99
300	1800	460	449T	338.0	95.4	95.0	M8999	\$34,731	G4-7U	Y	3100	54.12	2116	2054	98, 99

Notes:

- 98 For belted load only. Roller Bearing on drive-end.
- 99 NEMA design C: High Torque and 4140 stress proof shaft material

2.9

X\$D Ultra® TEFC

X\$D Ultra®
TEFC—Extra Severe Duty
Typical Performance Data

a product of
ecomagination™



Volts: 460
HP: 0.75 – 300

HP	FL RPM	NP FLA	Design LRA	NEMA B LRA	Code KVA/HP	FLT (lb-ft)	LRT (lb-ft)	BDT (lb-ft)	NP Eff. Full Load	Guar. Eff. Full Load	75% Load Eff.	50% Load Eff.	NP PF Full Load	75% Load Power Factor	50% Load Power Factor	Max. KVAR
0.75	1150	1.4	7.5	12.5	P	3.4	9.5	12.3	80	78.5	81.1	78.3	63.5	54.4	42	0.6
0.75	855	1.9	7.2	12.5	P	4.6	11.5	14.8	72	70	72.4	67.5	52	43.1	32.9	1
1	3540	1.3	12.8	25	N	1.5	4.9	6.6	87.5	86.5	89.1	87.3	80	73	60.7	0.4
1	1750	1.4	11.9	15	N	3	11.5	14	86.5	85.5	86.9	84.8	76	68	55.1	0.5
1	1155	1.8	10.8	15	N	4.5	14.3	18.1	82.5	81.5	83.2	80.7	62.5	53.5	41.1	0.8
1	875	2.2	10.4	15	N	6	11	18.9	80	78.5	79.3	75.3	52.5	43.8	33.2	1.2
1.5	3530	2	18.6	20	M	2.2	7.4	9.6	87.5	86.5	89.6	88.5	80.5	73.7	61.3	0.6
1.5	1740	2.1	16.9	20	M	4.5	16.7	19.8	86.5	85.5	87.5	86.1	77.5	69.8	56.8	0.8
1.5	1175	2.4	17.4	20	M	6.7	14.7	27.8	87.5	86.5	88.4	86.6	68	59.5	46.7	1
1.5	870	3.2	14.7	20	M	9	16.7	26.1	80	78.5	80	76.7	55.5	46.7	35.6	1.6
2	3515	2.7	23.1	25	L	3	9.2	11.9	86.5	85.5	89	88.2	80	72.7	59.9	0.8
2	1735	2.7	21	25	L	6.1	21.2	24.8	86.5	85.5	88	87.2	80	72.8	60.2	0.9
2	1170	3	22.6	25	L	9	19.6	36.1	88.5	87.5	88.9	87.5	69.5	61.3	48.4	1.2
2	880	3.8	20.5	25	L	11.9	20.1	38.4	86.5	85.5	85.9	83.3	57	48.6	37.2	1.9
3	3530	3.8	25.8	32	K	4.5	8.1	14	89.5	88.5	91.3	90.8	82	76.4	65.1	1
3	1760	4.2	29.2	32	K	8.9	23.1	30.2	89.5	88.5	89.8	88.8	75.5	68.4	55.9	1.5
3	1175	4.3	29.9	32	K	13.4	26.5	41.4	89.5	88.5	89.7	88.5	73	66	53.8	1.7
3	875	5.4	27.8	32	K	18	29.1	51.2	86.5	85.5	86.6	84.9	60.5	52.8	41	2.5
5	3535	6.1	43.7	46	J	7.4	14.9	23.9	90.2	89.5	91.1	90.1	84.5	80	70.3	1.5
5	1755	6.6	42.9	46	J	15	35	44	89.5	88.5	90.9	90.5	79	73.9	63	2
5	1170	6.8	42.8	46	J	22.4	39.7	59.1	89.5	88.5	90.5	90.3	77	71.6	60.6	2.2
5	880	7.6	40.5	46	J	29.8	48.8	82.4	89.5	88.5	89.7	88.4	69	61.1	48.6	3.2
7.5	3535	8.4	60.8	63.5	H	11.1	24.4	30.7	91	90.2	92	91.3	91.5	89.9	85.4	1.4
7.5	1770	9.2	60.4	63.5	H	22.3	42.3	59	91.7	91	92.3	91.8	83.5	80.6	72.5	2.2
7.5	1175	9.6	60.7	63.5	H	33.5	65.2	91.8	91.7	91	92.4	91.7	79.5	74.5	63.9	2.9
7.5	880	11.3	60.6	63.5	H	44.7	77.8	122.5	89.5	88.5	90.2	89.2	69.5	62	49.5	4.6
10	3525	11.3	76	81	H	14.9	31.1	38.7	91	90.2	92.1	91.9	91	90.1	85.9	1.8
10	1765	12.2	77.2	81	H	29.8	55.6	75.6	91.7	91	92.4	92.3	84	81.1	73.4	2.9
10	1170	12.7	72.3	81	H	44.8	79.1	110.6	91	90.2	92	91.9	81	76.7	66.8	3.6
10	885	13.6	75.2	81	H	59.5	84.3	136.8	89.5	88.5	91.1	91.2	77	72.6	62.3	4
15	3550	16.9	108.1	116	G	22.2	44.7	50.7	91.7	91	92.6	92.4	90.5	90.3	87.4	2.3
15	1770	17.8	110.5	116	G	44.5	97.3	114.6	92.4	91.7	93.1	93	85.5	82.3	73.8	4.4
15	1185	19.1	109.5	116	G	66.5	98	164.3	91.7	91	92.8	92.4	80	74.9	64.3	5.8
15	880	20.1	111.6	116	G	89.5	133.4	207.2	89.5	88.5	91	91.4	78	73.9	64	5.7
20	3550	22.1	147	145	G	29.6	70.2	65.4	92.4	91.7	93.3	93.4	91.5	91.6	89.7	2.5
20	1770	22.9	140.6	145	G	59.3	133.4	142.9	93	92.4	93.8	94	88	85.7	79.3	4.6
20	1180	25.4	142.1	145	G	88.8	130.1	214.3	91.7	91	93.1	92.8	80.5	75.8	65.6	7.4
20	875	29.6	137.2	145	G	119.8	191	264.6	91	90.2	92.1	91.6	69.5	63.1	51.3	11.2

X\$D Ultra®
TEFC—Extra Severe Duty

a product of
ecomagination®



Typical Performance Data (cont.)

Volts: 460
HP: 0.75 - 300

HP	FL RPM	NP FLA	Design LRA	NEMA B LRA	Code KVA/HP	FLT (lb-ft)	LRT (lb-ft)	BDT (lb-ft)	NP Eff. Full Load	Guar. Eff. Full Load	75% Load Eff.	50% Load Eff.	NP PF Full Load	75% Load Power Factor	50% Load Power Factor	Max. KVAR
25	3555	27.2	181.6	182.5	G	36.9	96.5	94.2	93	92.4	93.3	92.9	92.5	91.7	88.3	3.9
25	1775	29.1	174.8	182.5	G	73.9	122.9	181.4	93.6	93	94.1	94	86	82.8	74.7	7
25	1180	32.1	168.7	182.5	G	111.4	199.1	251	93	92.4	93.5	93.1	78.5	74.3	64.2	9.5
25	875	36.5	167.5	182.5	G	150.2	238.5	323.7	91	90.2	92.2	91.8	70.5	64.3	52.7	13.3
30	3550	32.5	217.3	217.5	G	44.4	123.4	111.8	93	92.4	93.7	93.5	93	92.3	89.3	4.3
30	1775	34.7	206.4	217.5	G	88.7	147.3	210.7	93.6	93	94.1	94.2	86.5	83.7	76.2	7.9
30	3570	35.1	193.4	217.5	G	44.1	59.8	105.1	93.6	93	93.2	91.8	85.5	82.4	74.8	8.4
30	1175	38	207.1	217.5	G	133.8	261.1	305.9	93	92.4	93.7	93.5	79.5	75.3	65.5	10.9
30	890	41.6	187.8	217.5	G	177.2	242.8	387.4	92.4	91.7	94.2	93.6	73	67.2	55.7	14.4
40	3570	47.1	270.2	290	G	58.8	89	144.4	94.1	93.6	93.9	92.8	84.5	81.4	73.1	11.9
40	1780	48	260	290	G	117.9	199.1	279.8	94.5	94.1	94.9	94.6	82.5	78.1	68.5	13.4
40	1185	48.8	263.8	290	G	176.9	264	425.4	94.1	93.6	94.8	94.4	81.5	76.9	66.8	14
40	890	54.8	253.2	290	G	236.3	336.2	522.7	93	92.4	94.4	93.9	73.5	67.4	56	19
50	3570	57.3	324.5	362.5	G	73.6	117	171	94.5	94.1	94.5	93.7	86.5	84.4	77.6	12.4
50	1780	60.4	325.6	362.5	G	147.6	255.7	350.7	94.5	94.1	95	94.7	82	77.7	67.9	17.1
50	1185	61	324.3	362.5	G	221.3	331.6	524.5	94.1	93.6	95	94.7	81.5	77.1	67.2	17.3
50	885	66.2	332.7	362.5	G	297.2	443.8	753.8	93	92.4	94.4	94	76	70.1	58.5	22.4
60	3570	69.1	412.9	435	G	88.2	129	222.8	95	94.5	95	94.1	85.5	82	73.5	17.5
60	1780	70	403.7	435	G	176.8	286.3	433.2	95	94.5	95.3	95.1	84.5	80.9	72	18
60	1190	71.7	401.6	435	G	264.2	380.7	614.8	95	94.5	95.3	94.8	82.5	78.5	69.3	19.3
60	885	78.9	399.7	435	G	356.8	545.6	909	93	92.4	94.7	94.4	76.5	70.8	59.4	26.1
75	3570	82.8	504.7	542.5	G	110.3	180.8	269.4	95.8	95.4	95.6	95	88.5	86.4	80.1	16.9
75	1780	86.1	516.9	542.5	G	220.9	391.8	552.3	95.4	95	95.7	95.6	85.5	82.4	74.1	20.8
75	1190	89.6	510.2	542.5	G	330.3	498.4	779.7	95	94.5	95.5	95.1	82.5	78.7	69.5	24
75	890	93.4	481.3	542.5	G	442.2	614.6	1018.2	94.5	94.1	95.3	94.8	79.5	75.1	65.3	27
100	3570	108	706.3	725	G	147.1	244.1	384.9	95.4	95	95.8	95.6	91	89.8	85.6	17.3
100	1785	118	589	725	G	293.9	429.8	670.9	95.8	95.4	96.1	95.9	83	79.4	70.4	31.2
100	1195	116	691.8	725	G	440.2	603.7	1078.8	95.4	95	95.4	94.9	84.5	81.6	73.4	28.2
100	890	125	643	725	G	589.9	846.6	1370.4	94.5	94.1	95.4	95	79.5	75.1	65.2	36.1
125	3580	139	824.3	907.5	G	183.3	220.9	467.6	95.4	95	95.6	95.2	88.5	86.2	79.8	28.6
125	1785	140	831.1	907.5	G	367.9	654	937.3	95.8	95.4	95.9	95.6	87	84.1	76.5	32.2
125	1190	149	857.1	907.5	G	550.6	996.5	1306.4	95.4	95	95.6	95.1	82.5	78.9	69.8	39.7
125	890	155	828	907.5	G	737.7	1136.3	1796.4	95	94.5	95.4	95.2	79.5	75.7	66	43.9
150	3580	162	1016.6	1085	G	220	314.8	569.1	95.8	95.4	96.1	95.8	90.5	88.9	84	28.3
150	1790	166	1001.4	1085	G	439.8	523.6	1108.4	96.2	95.8	96.4	96.2	88	85.8	79.1	34.6
150	1195	171	1034.2	1085	G	660.4	1010.2	1758.8	95.8	95.4	95.8	95.6	85.5	82.8	75.2	39.3

X\$D Ultra®
TEFC—Extra Severe Duty

a product of
ecomagination™



Typical Performance Data (cont.)

Volts: 460
HP: 0.75 - 300

HP	FL RPM	NP FLA	Design LRA	NEMA B LRA	Code KVA/HP	FLT (lb-ft)	LRT (lb-ft)	BDT (lb-ft)	NP Eff. Full Load	Guar. Eff. Full Load	75% Load Eff.	50% Load Eff.	NP PF Full Load	75% Load Power Factor	50% Load Power Factor	Max. KVAR
150	890	184	975.7	1085	G	885.1	1348.5	2081.7	95	94.5	95.7	95.6	80.5	77	68	48.8
200	3580	211	1385	1450	G	293.2	511.4	832.8	95.8	95.4	95.9	95.5	92.5	92	89.2	27.4
200	1790	218	1334.3	1450	G	586.2	744.3	1497.3	96.5	96.2	96.7	96.6	89	87.1	81.3	41.6
200	1190	227	1345.1	1450	G	881	1349.6	2294.5	95.8	95.4	96	95.9	86	83.3	76.1	50.4
250	3580	265	1707.8	1825	G	366.7	601.8	1025.1	95.8	95.4	96	95.8	92	91.6	88.4	36.4
250	1790	272	1526.1	1825	G	733.1	864.8	1715.7	96.5	96.2	96.8	96.7	89	87.9	83	47.1
250	1195	293	1711.2	1825	G	1100.4	1401.2	2967.1	95.8	95.4	96.1	96	83.5	80.2	71.4	74.5
300	3580	319	2099.4	2200	G	440.1	717.2	1242.3	95.8	95.4	96.2	96	92	91.5	88.2	44.6
300	1790	332	1995.4	2200	G	879.2	1118.6	2241.9	96.2	95.8	96.4	95.9	88	86.2	80	66

2.12

X\$D Ultra® TEFC

X\$D Ultra®
TEFC—Extra Severe Duty

a product of
ecomagination™



Typical Performance Data (cont.)

Volts: 575
HP: 0.75 – 300

HP	FL RPM	NP FLA	Design LRA	NEMA B LRA	Code KVA/HP	FLT (lb-ft)	LRT (lb-ft)	BDT (lb-ft)	NP Eff. Full Load	Guar. Eff. Full Load	75% Load Eff.	50% Load Eff.	NP PF Full Load	75% Load Power Factor	50% Load Power Factor	Max. KVAR
0.75	1150	1.1	5.9	10	P	3.4	9.3	12	80	78.5	81.3	78.6	64	55.1	42.6	0.6
0.75	855	1.5	5.8	10	P	4.6	11.6	15	72	70	72.2	67.2	51.5	42.9	32.7	1
1	3540	1.1	10.3	25	N	1.5	4.9	6.6	87.5	86.5	89	87.3	80	72.9	60.5	0.4
1	1750	1.1	9.6	12	N	3	11.6	14.1	86.5	85.5	86.8	84.7	75.5	67.6	54.7	0.5
1	1155	1.5	8.9	12	N	4.5	14.8	18.7	82.5	81.5	82.9	80.1	61.5	52.2	40	0.9
1	875	1.8	8.5	12	N	6	11.2	19.1	80	78.5	79	74.9	52	43.5	33	1.2
1.5	3530	1.6	14.7	16	M	2.2	7.2	9.4	87.5	86.5	89.4	88.3	81	73.9	61.5	0.6
1.5	1740	1.7	13.8	16	M	4.5	17.2	20.3	86.5	85.5	87.7	86.3	77.5	69.5	56.5	0.8
1.5	1175	1.9	14.1	16	M	6.7	14.9	28.1	87.5	86.5	88.3	86.5	67.5	59.1	46.3	1
1.5	870	2.6	12.4	16	M	9	18	27.5	80	78.5	80.1	76.5	53.5	45.2	34.3	1.7
2	3515	2.2	18.4	20	L	3	9.2	11.8	86.5	85.5	89	88.2	80	73	60.3	0.8
2	1735	2.2	16.9	20	L	6.1	21.3	24.9	86.5	85.5	87.9	87.1	80	72.6	59.9	0.9
2	1170	2.5	19.3	20	L	9	21.3	38.7	88.5	87.5	88.9	87.3	68	59.2	46.4	1.3
2	880	3	16.1	20	L	11.9	19.5	37.6	86.5	85.5	85.9	83.3	57.5	49.1	37.7	1.9
3	3530	3.1	20.6	25.6	K	4.5	8	13.9	89.5	88.5	91.2	90.7	82	76.4	65.1	1
3	1760	3.3	23.4	25.6	K	8.9	23.1	30.2	89.5	88.5	89.7	88.7	75.5	68.3	55.8	1.5
3	1175	3.4	23.7	25.6	K	13.4	26.1	41	89.5	88.5	89.5	88.3	73	66.1	53.9	1.7
3	875	4.3	22.7	25.6	K	18	30	52.2	86.5	85.5	86.5	84.7	60	52.3	40.5	2.5
5	3535	4.9	35.3	36.8	J	7.4	15	24	90.2	89.5	91	90	84	79.6	69.6	1.5
5	1755	5.3	34.3	36.8	J	15	34.9	43.9	89.5	88.5	90.9	90.5	79	73.9	63	2
5	1170	5.5	35	36.8	J	22.4	40.7	60.4	89.5	88.5	90.5	90.2	76.5	70.9	59.7	2.2
5	880	6.2	33.6	36.8	J	29.7	50.9	85.1	89.5	88.5	89.6	88.2	68	60.1	47.6	3.3
7.5	3535	6.7	48.6	50.8	H	11.1	24.3	30.7	91	90.2	91.9	91.3	91.5	89.9	85.4	1.4
7.5	1770	7.3	47.5	50.8	H	22.3	41.5	58.1	91.7	91	92.2	91.8	84	80.9	73	2.2
7.5	1175	7.7	48.5	50.8	H	33.5	65.3	91.9	91.7	91	92.4	91.8	79.5	74.5	63.9	2.9
7.5	880	9	48.5	50.8	H	44.7	77.7	122.4	89.5	88.5	90.1	89.2	69.5	62.1	49.5	4.6
10	3525	9	61.2	64.8	H	14.9	31.2	38.9	91	90.2	92.1	91.9	91	90	85.7	1.8
10	1765	9.7	62	64.8	H	29.8	55.7	75.8	91.7	91	92.4	92.3	84	81.1	73.3	2.9
10	1170	10.2	59.5	64.8	H	44.8	81.5	113.7	91	90.2	92	91.8	81	76.1	66	3.7
10	885	10.8	59.9	64.8	H	59.5	83.8	136.2	89.5	88.5	91.1	91.1	77.5	72.6	62.3	4
15	3550	13.7	88.1	92.8	G	22.2	42.9	52.8	91.7	91	92.3	92.1	89.5	88.7	84.5	2.8
15	1770	14.2	89.1	92.8	G	44.5	98.6	115.4	92.4	91.7	93.1	93	85.5	82.2	73.7	4.4
15	1185	15.3	86.3	92.8	G	66.6	96.5	162	91.7	91	92.9	92.5	80	75.2	64.9	5.7
15	880	16.1	89.2	92.8	G	89.5	133.2	207	89.5	88.5	91	91.4	78	73.9	64	5.7
20	3550	17.7	118.2	116	G	29.6	70.6	65.7	92.4	91.7	93.3	93.4	91.5	91.6	89.7	2.5
20	1770	18.3	112.2	116	G	59.3	133	142.5	93	92.4	93.8	94	88	85.8	79.4	4.6
20	1180	20	108.6	116	G	88.9	125.6	203	91.7	91	92.9	92.8	81.5	77.3	67.8	6.9
20	875	23.7	106.1	116	G	119.8	177.3	255.8	91	90.2	91.9	91.4	69.5	63.1	51.3	11.2

X\$D Ultra®
TEFC—Extra Severe Duty

a product of
ecomagination™



Typical Performance Data (cont.)

Volts: 575
HP: 0.75 – 300

HP	FL RPM	NP FLA	Design LRA	NEMA B LRA	Code KVA/HP	FLT (lb-ft)	LRT (lb-ft)	BDT (lb-ft)	NP Eff. Full Load	Guar. Eff. Full Load	75% Load Eff.	50% Load Eff.	NP PF Full Load	75% Load Power Factor	50% Load Power Factor	Max. KVAR
25	3550	21.8	144.4	146	G	36.9	95.9	93.7	93	92.4	93.3	92.9	92.5	91.7	88.4	3.8
25	1775	23.3	140.9	146	G	73.9	123.7	182.4	93.6	93	94.1	94	86	82.7	74.5	7
25	1180	25.6	138.5	146	G	111.4	204.6	257.6	93	92.4	93.4	93	78.5	73.7	63.4	9.7
25	875	30.3	156.2	146	G	149.6	292.7	376.6	91	90.2	91.7	90.9	68	60.9	48.7	15.3
30	3550	26	173	174	G	44.4	122.4	111	93	92.4	93.6	93.4	93	92.3	89.4	4.2
30	1775	27.7	165.4	174	G	88.7	147.5	211	93.6	93	94.2	94.2	86.5	83.7	76.2	7.9
30	1175	30.4	159.3	174	G	133.8	240.9	295.5	93	92.4	93.6	93.4	79.5	75.2	65.5	10.8
30	890	33.3	150.1	174	G	177.2	242.5	386.6	92.4	91.7	94.1	93.5	73	67.2	55.8	14.4
40	3570	37.4	214.7	232	G	58.8	88.2	143.6	94.1	93.6	94	92.9	85	81.5	73.3	11.8
40	1780	38.4	208.1	232	G	118	198.9	279.7	94.5	94.1	94.9	94.5	82.5	78.1	68.5	13.4
40	1185	39.1	211.7	232	G	176.9	264.7	426.8	94.1	93.6	94.8	94.4	81.5	76.7	66.7	14.1
40	890	44.4	209.6	232	G	236.2	348.6	540.4	93	92.4	94.3	93.7	72.5	66.3	54.6	19.9
50	3565	45.5	252.5	290	G	73.6	113.7	166.6	94.5	94.1	94.4	93.7	87	84.9	78.4	12
50	1780	48.3	260.4	290	G	147.6	255.7	350.6	94.5	94.1	95	94.7	82	77.7	67.9	17.1
50	1185	49.1	263	290	G	221.2	335.9	530.9	94.1	93.6	94.9	94.6	81	76.6	66.5	17.6
50	885	52.6	261.1	290	G	297.3	434.6	738.9	93	92.4	94.4	94	76.5	70.6	59.1	22
60	3570	55.3	334	348	G	88.2	130.6	225.5	95	94.5	95	94.1	85.5	81.7	73.1	17.8
60	1780	56	323	348	G	176.8	285.8	432.7	95	94.5	95.3	95.1	84.5	80.9	72	18
60	1190	57.3	321.2	348	G	264.2	380.3	613.9	95	94.5	95.3	94.8	82.5	78.5	69.3	19.4
60	880	62.7	312.1	348	G	357	530.8	885	93	92.4	94.6	94.4	77	71.4	60.1	25.5
75	3570	66.5	399.8	434	G	110.3	178.7	267.1	95.4	95	95.6	95	88.5	86.5	80.3	16.7
75	1785	68.9	417.9	434	G	220.9	396.1	558.1	95.4	95	95.7	95.6	85.5	82.2	73.8	21
75	1190	71.7	406.5	434	G	330.3	494.3	776.1	95	94.5	95.5	95.1	82.5	78.7	69.5	24
75	890	74.7	384.4	434	G	442.2	613.4	1016.3	94.5	94.1	95.3	94.8	79.5	75.1	65.3	27
100	3570	86.3	564.3	580	G	147.1	250.1	383.3	95.4	95	95.8	95.6	91	90.1	86	16.8
100	1785	94.2	478	580	G	293.9	433.9	679	95.8	95.4	96.1	95.8	83	79	69.8	31.9
100	1195	92.9	565	580	G	440.1	617.6	1102.3	95.4	95	95.5	94.9	84.5	81.2	72.8	28.8
100	890	99.7	499.7	580	G	590.2	820.3	1329.6	94.5	94.1	95.4	95.1	79.5	75.7	66.2	34.9
125	3580	111	676.1	726	G	183.3	226.6	478.8	95.4	95	95.7	95.2	88	85.7	79	29.6
125	1785	112	672.6	726	G	367.8	663.6	949.2	95.8	95.4	96	95.6	87	84	76.3	32.5
125	1190	118	676	726	G	550.7	981.2	1286.7	95.4	95	95.5	95.1	83	79.2	70.3	39
125	890	124	662.2	726	G	737.7	1135.7	1795.5	95	94.5	95.4	95.2	79.5	75.7	66	43.9
150	3580	130	822.5	868	G	220	313.8	576.5	95.8	95.4	96.1	95.8	90	88.6	83.4	29.2
150	1790	133	825	868	G	439.7	537	1139.1	96.2	95.8	96.5	96.2	88	85.4	78.4	35.7
150	1190	137	820.5	868	G	660.4	1003.6	1746.2	95.8	95.4	95.9	95.6	85.5	83	75.5	38.8
150	890	147	774.4	868	G	885.3	1338.2	2067.1	95	94.5	95.7	95.6	80.5	77.2	68.2	48.5

X\$D Ultra®
TEFC—Extra Severe Duty

Typical Performance Data (cont.)

a product of
ecomagination™



Volts: 575
HP: 0.75 – 300

HP	FL RPM	NP FLA	Design LRA	NEMA B LRA	Code KVA/HP	FLT (lb-ft)	LRT (lb-ft)	BDT (lb-ft)	NP Eff. Full Load	Guar. Eff. Full Load	75% Load Eff.	50% Load Eff.	NP PF Full Load	75% Load Power Factor	50% Load Power Factor	Max. KVAR
200	3580	169	1095.4	1160	G	293.3	498.2	826	95.8	95.4	95.8	95.4	92.5	92	89.1	27.5
200	1790	174	1049.8	1160	G	586.2	730.9	1471.2	96.5	96.2	96.7	96.6	89	87.3	81.6	40.9
200	1190	182	1056	1160	G	881.1	1322.1	2250.1	95.8	95.4	96	95.9	86	83.6	76.6	49.4
250	3580	211	1374.4	1460	G	366.7	612.2	1027.2	95.8	95.4	96	95.8	92.5	91.7	88.6	36
250	1790	218	1226.7	1460	G	733	869.7	1729.1	96.5	96.2	96.9	96.8	89	87.8	82.9	47.4
300	3575	253	1623.2	1760	G	440.3	707.5	1199.2	95.8	95.4	96.1	96	92.5	91.8	88.9	42.1
300	1790	264	1501.9	1760	G	879.5	1064.4	2117.8	96.2	95.8	96.3	96	88.5	87	81.6	61

X\$D Ultra®
TEFC—Extra Severe Duty

a product of
ecomagination™



Dimensions

Dimensions refer to drawing on following page
Cast Iron Construction/Frames 140-449, Type KS, 3-Phase/Dimensions—For estimating only

Frame (19)	Approx. Net Weight (lbs)	Dimensions in Inches																				
		Shaft						Mounting (18)						A	B	C	D (3)	G	J	K	L	O
		Key			N-W	U (1)	V	E	H	BA	BS	2F (20)	2XF									
		Width	Depth	Length																		
143T	43	0.187	0.187	1.380	2.25	0.875	2.12	2.75	0.39	2.25	2.25	5.00	4.00	6.88	5.88	13.42	3.50	0.40	1.39	2.32	6.42	7.25
145T	50	0.187	0.187	1.380	2.25	0.875	2.12	2.75	0.39	2.25	2.25	5.00	4.00	6.88	5.88	13.42	3.50	0.40	1.39	2.32	6.42	7.25
182T	76	0.250	0.250	1.750	2.75	1.125	2.50	3.75	0.46	2.75	2.75	5.50	4.50	8.68	6.64	15.91	4.50	0.46	1.54	2.58	7.66	9.25
184T	101	0.250	0.250	1.750	2.75	1.125	2.50	3.75	0.46	2.75	2.75	5.50	4.50	8.68	6.64	15.91	4.50	0.46	1.54	2.58	7.66	9.25
213T	200	0.312	0.312	2.380	3.38	1.375	3.12	4.25	0.46	3.50	3.50	7.00	5.50	9.60	8.00	20.15	5.25	0.57	1.47	3.12	9.77	10.43
215T	220	0.312	0.312	2.380	3.38	1.375	3.12	4.25	0.46	3.50	3.50	7.00	5.50	9.60	8.00	20.15	5.25	0.57	1.47	3.12	9.77	10.43
254T	315	0.375	0.375	2.380	4.00	1.625	3.76	5.00	0.58	4.25	5.00	10.00	8.25	11.20	11.30	25.29	6.25	0.65	1.52	3.93	12.34	12.50
256T	350	0.375	0.375	2.880	4.00	1.625	3.76	5.00	0.58	4.25	5.00	10.00	8.25	11.20	11.30	25.29	6.25	0.65	1.52	3.93	12.34	12.50
284TS	460	0.375	0.375	1.880	3.25	1.625	3.00	5.50	0.58	4.76	5.50	11.00	9.50	12.40	12.80	27.20	7.00	0.76	1.75	4.12	13.70	13.88
284T	460	0.500	0.500	3.250	4.62	1.875	4.38	5.50	0.58	4.76	5.50	11.00	9.50	12.40	12.80	28.58	7.00	0.76	1.75	4.12	13.70	13.88
286TS	510	3.750	3.750	1.880	3.25	1.625	3.00	5.50	0.58	4.76	5.50	11.00	9.50	12.40	12.80	27.20	7.00	0.76	1.75	4.12	13.70	13.88
286T	510	0.500	0.500	3.250	4.62	1.875	4.38	5.50	0.58	4.76	5.50	11.00	9.50	12.40	12.80	28.58	7.00	0.76	1.75	4.12	13.70	13.88
324TS	664	0.500	0.500	2.000	3.75	1.875	3.50	6.25	0.67	5.25	6.00	-	10.50	14.40	13.80	29.04	8.00	0.99	2.01	3.62	15.54	17.07
324T	664	0.500	0.500	3.880	5.25	2.125	5.00	6.25	0.67	5.25	6.00	-	10.50	14.40	13.80	30.54	8.00	0.99	2.01	3.62	15.54	17.07
326TS	800	0.500	0.500	2.000	3.75	1.875	3.50	6.25	0.67	5.25	6.00	12.00	10.50	14.40	13.80	30.54	8.00	0.99	2.01	3.62	15.54	17.07
326T	800	0.500	0.500	3.880	5.25	2.125	5.00	6.25	0.67	5.25	6.00	12.00	10.50	14.40	13.80	32.04	8.00	0.99	2.01	3.62	15.54	17.07
364TS	1122	0.500	0.500	2.000	3.75	1.875	3.50	7.00	0.69	5.88	6.13	12.25	11.25	16.00	14.40	32.76	9.00	1.09	2.26	3.40	17.00	19.02
364T	1122	0.625	0.625	4.250	5.88	2.375	5.64	7.00	0.69	5.88	6.13	12.25	11.25	16.00	14.40	43.89	9.00	1.09	2.26	3.40	17.00	19.02
365TS	1155	0.500	0.500	2.000	3.75	1.875	3.50	7.00	0.69	5.88	6.13	12.25	11.25	16.00	14.40	32.76	9.00	1.09	2.26	3.40	17.00	19.02
365T	1155	0.625	0.625	4.250	5.88	2.375	5.64	7.00	0.69	5.88	6.13	12.25	11.25	16.00	14.40	43.89	9.00	1.09	2.26	3.40	17.00	19.02
404TS	1580	0.500	0.500	2.750	4.25	2.125	4.00	8.00	0.81	6.62	6.88	13.75	12.25	18.00	16.00	36.76	10.00	1.29	2.64	4.00	19.02	21.18
404T	1580	0.750	0.750	5.625	7.25	2.875	7.00	8.00	0.81	6.62	6.88	13.75	12.25	18.00	16.00	39.77	10.00	1.29	2.64	4.00	19.02	21.18
405TS	1600	0.500	0.500	2.750	4.25	2.125	4.00	8.00	0.81	6.62	6.88	13.75	12.25	18.00	16.00	36.76	10.00	1.29	2.64	4.00	19.02	21.18
405T	1600	0.750	0.750	5.625	7.25	2.875	7.00	8.00	0.81	6.62	6.88	13.75	12.25	18.00	16.00	39.77	10.00	1.29	2.64	4.00	19.02	21.18
444TS	2100	0.625	0.625	3.000	4.75	2.375	4.50	9.00	0.81	7.50	8.25	16.50	14.50	20.00	18.80	41.87	11.00	1.49	2.64	4.97	21.37	23.94
444T	2100	0.875	0.875	6.875	8.50	3.375	8.25	9.00	0.81	7.50	8.25	16.50	14.50	20.00	18.80	45.62	11.00	1.49	2.64	4.97	21.37	23.94
445TS	2260	0.625	0.625	3.000	4.75	2.375	4.50	9.00	0.81	7.50	8.25	16.50	14.50	20.00	18.80	41.87	11.00	1.49	2.64	4.97	21.37	23.94
445T	2260	0.875	0.875	6.875	8.50	3.375	8.25	9.00	0.81	7.50	8.25	16.50	14.50	20.00	18.80	45.62	11.00	1.49	2.64	4.97	21.37	23.94
447TS	2610	0.625	0.625	3.000	4.75	2.375	4.50	9.00	0.81	7.50	12.50	25.00	20.00	20.00	27.30	50.37	11.00	1.49	2.64	8.81	25.62	23.94
447T	2610	0.875	0.875	6.875	8.50	3.375	8.25	9.00	0.81	7.50	12.50	25.00	20.00	20.00	27.30	54.12	11.00	1.49	2.64	8.81	25.62	23.94
449TS	3010	0.625	0.625	3.000	4.75	2.375	4.50	9.00	0.81	7.50	12.50	25.00	20.00	20.00	27.30	50.37	11.00	1.49	2.64	8.81	25.62	23.94
449T	3010	0.875	0.875	6.875	8.50	3.375	8.25	9.00	0.81	7.50	12.50	25.00	20.00	20.00	27.30	54.12	11.00	1.49	2.64	8.81	25.62	23.94
449LL	3010	0.875	0.875	4.500	6.75	3.375	6.50	9.00	0.81	7.50	12.50	25.00	20.00	20.00	27.30	53.37	11.00	1.49	2.64	8.70	25.62	23.94

Notes:

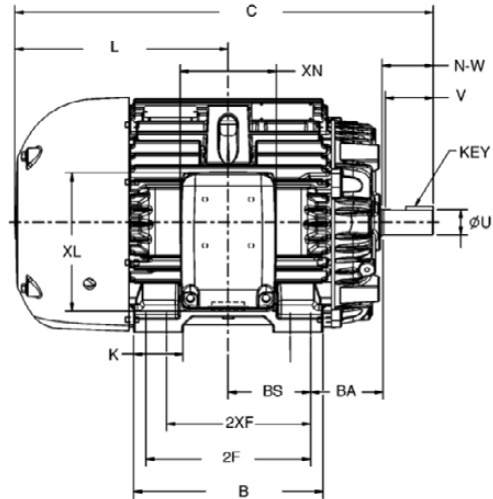
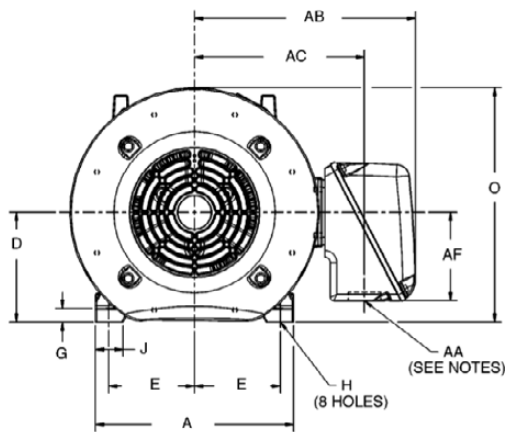
- 1 Shaft diameters 1 1/2 inches and smaller will come within the limits of +0.000 inch, -0.0005 inch diameters 1 5/8 inches and larger +0.000 inch, -0.001 inch
- 3 Tolerance on "D" dimension for rigid base motors will be +0.000 inch, -0.060 inch. No tolerance has been est. for the "D" dimension of resilient mounted motors.
- 18 Motor feet have 2 holes per foot allowing NEMA F-1 or F-2 assembly while maintaining critical NEMA mounting dimensions
- 19 Cast iron motors in 449 frame also have mounting holes meeting 447 frame dimensions
Providing mounting conditions permit, conduit box may be turned so that entrance can be made upward, downward, or from either side
Weights shown are approximate shipping weights and should be used for estimating only
- 20 324 Frame motors have mounting holes for the 324 frame size only

X\$D Ultra®
TEFC—Extra Severe Duty

Dimensions (cont.)

Dimensions on previous page

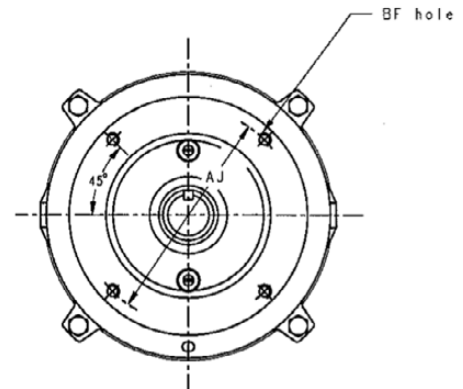
Cast Iron Construction/Frames 140-449, Type KS, 3-Phase/Dimensions—For estimating only



Conduit Box Dimensions

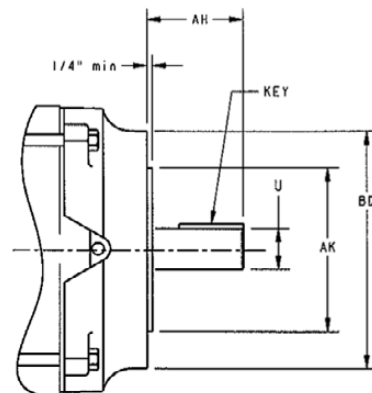
Frame	Nominal HP	Approx. Vol. (cubic in)	Dimensions in Inches					
			AA*	AB	AC	AF	XL	XN
143-145	2	32	0.75	6.62	5.12	2.50	4.30	5.40
182-184	5	32	0.75	7.82	6.32	2.50	4.30	5.40
213-215	10	55	1.00	9.50	7.42	3.50	5.78	4.16
254-256	20	140	1.25	11.68	9.12	4.59	7.37	5.37
284-286	30	140	1.50	12.44	9.88	4.59	7.37	5.37
324-326	50	346	3.00	16.13	12.43	6.44	10.14	7.00
364-365	75	346	3.00	17.07	13.37	6.44	10.14	7.00
404-405	125	700	3.00	20.48	16.22	7.00	12.13	10.50
444-449	200	700	3.00	22.00	17.74	7.00	12.13	10.50
444-449	250-300	1260	2x 4.00	22.56	17.80	7.00	12.40	16.25

* A tapped NPT hole is provided for the conduit size listed in Column AA



C-Face Dimensions

NEMA Frame	All Dimensions in inches						
	AH	AJ	AK	U	Key Width	Key Thickness	Key Length
143TC-145TC	2.12	5.88	4.50	0.88	0.19	0.19	1.38
182TC-184TC	2.62	7.25	8.50	1.13	0.25	0.25	1.75
213TC-215TC	3.12	7.25	8.50	1.38	0.31	0.31	2.38
254TC-256TC	3.75	7.25	8.50	1.63	0.38	0.38	2.88
284TC-286TC	4.38	9.00	10.50	1.88	0.50	0.50	3.25



X\$D Ultra® 841
*TEFC—Extra Severe
Duty (IP56)*

Standard Features



2.18

X\$D Ultra® 841

HP Range	0.75-250
Poles	2,4,6,8
Voltage	460, 575
Agency Approvals	UL - Component and Insulation System Recognition, CSA - Motors and C-390 (CE and ATEX Zone 2 by custom order)
Altitude	3300 ft
Ambient	40°C
Balance/Vibration	ISO Grade 1, Ball Bearings: 0.040 in/sec (P)
Bearing Caps	Cast iron and gasketed on both ends
Bearing Housing Rise	2-pole: 50°C, 4,6,8-pole: 45°C
Bearing Protection	IP56 (exceeds IEEE 841 requirement of IP55), Inpro Seal both ends
Bearing Type	Ball
Centered Core	Allows F1-F2 field conversion
Conduit Box	Gasketed and rotatable in 90 degree increments, Cast iron
Div 2 Temp Codes	Motors have an Auto Ignition Temperature of 200 degree C stamped on the nameplate. A Division 2 Nameplate can be provided (see kit section).
Drains	Stainless Steel T-drains in lowest section of both endshields
Efficiency	Meets or exceeds NEMA Premium nominal. Exceeds all NEMA Premium minimum efficiencies.
End Shield	Cast Iron
Fan	Non-Sparking Plastic or Bronze
Fan Cover	Cast Iron
Fasteners	SAE, Grade 5
Foot Draft Angle	+/- 1.5 degrees
Foot Flatness	0.005 inches
Frame Material	Cast Iron
Frame Size	143-449
Frequency	60 Hz
Grease	Polyurea
Ground	Ground lug in Conduit Box and Frame ground
Industry Specifications	Exceeds IEEE 841 Meets IEEE 45 Marine Duty; Meets GM 7E-TA Automotive Duty
Insulation Class	Class H
Insulation System	GEGARD2400™ 143-449 frames. Non-Hygroscopic, Anti-Fungus, 2400Volt @ .1microsecond rise time. Exceeds NEMA MG1-31
Inverter Capabilities	Variable Torque inf:1, Constant Torque 20:1 (see Inverter Duty Capabilities, page iv)
L10 Bearing Life	Direct Coupled: 130,000 hrs, Belted: 26,280 hrs
Lifting Means	4 Lugs cast into frame
Mounting	F1 as Standard and Modifiable to F2
Mounting Holes	1 per foot (324 frame), 2 per foot (all other frames)
Nameplate	316 Stainless Steel (Includes weight, 3/4 load efficiency, vibration limit)
NEMA Design	B
Oil Mist Lube	Includes provisions for conversion to Oil Mist Lubrication
Paint	Buff, Epoxy ester
Relubrication	Both ends, extended through the fan cover
Rotor	Cast Aluminum
Service Factor	1.15
Shaft TIR	Meets IEEE 841, .001 in for shaft diameter 1.625 in and smaller, .0015 in for shaft diameter greater than 1.625 in.
Special Painting	Meets IEEE 841
Temperature Rise	80°C @ 1.0 SF
Tests	NEMA Routine Report including Vibration supplied with motor, IEEE 112 Method B
Time Rating	Continuous
Vibration Pads	Cast in vibration pads for repeatable measurements
Warranty	60 months from date of installation or 66 months from date of manufacture, whichever occurs first

X\$D Ultra® 841
TEFC—Extra Severe Duty

Pricing



Volts: 460, 575
HP: 0.75 – 250

HP	RPM	Volts	Frame	FLA	Nom. Eff.	Guar. Min. Eff.	Cat. No.	List Price	Price Symbol	Norm. Stk.	Wt. (lbs)	C Dim. (in)	Notes
0.75	1200	460	143T	1.4	80.0	78.5	M354	\$1,008	G4-7UX1	N	43	13.40	
0.75	1200	575	143T	1.1	80.0	78.5	M355	\$1,008	G4-7UX1	N	43	13.40	
0.75	900	460	145T	1.9	72.0	70.0	M8901	\$1,662	G4-7UX1	N	50	13.40	
1	3600	460	143T	1.3	87.5	86.5	M8903	\$1,035	G4-7UX1	N	43	11.60	55
1	3600	575	143T	1.1	87.5	86.5	M8904	\$1,035	G4-7UX1	N	43	11.60	55
1	1800	460	143T	1.4	86.5	85.5	M352	\$1,020	G4-7UX1	Y	43	11.60	
1	1800	575	143T	1.2	86.5	85.5	M353	\$1,020	G4-7UX1	Y	43	11.60	
1	1200	460	145T	1.8	82.5	81.5	M363	\$1,092	G4-7UX1	Y	50	13.40	
1	1200	575	145T	1.5	82.5	81.5	M364	\$1,092	G4-7UX1	N	50	13.40	
1	900	460	182T	2.2	80.0	78.5	M9413	\$1,334	G4-7UX1	N	76	15.90	55
1	900	575	182T	1.8	80.0	78.5	M9482	\$1,334	G4-7UX1	N	76	15.90	55
1.5	3600	460	143T	2.0	87.5	86.5	M8905	\$1,080	G4-7UX1	Y	43	11.60	55
1.5	3600	575	143T	1.6	87.5	86.5	M8906	\$1,080	G4-7UX1	N	43	11.60	55
1.5	1800	460	145T	2.1	86.5	85.5	M359	\$1,157	G4-7UX1	Y	50	11.60	
1.5	1800	575	145T	1.7	86.5	85.5	M360	\$1,157	G4-7UX1	Y	50	11.60	
1.5	1200	460	182T	2.4	87.5	86.5	M9414	\$1,194	G4-7UX1	Y	76	15.90	
1.5	1200	575	182T	1.9	87.5	86.5	M9483	\$1,194	G4-7UX1	N	76	15.90	
1.5	900	460	184T	3.2	80.0	78.5	M9415	\$1,577	G4-7UX1	N	101	15.90	
1.5	900	575	184T	2.6	80.0	78.5	M9485	\$1,577	G4-7UX1	N	101	15.90	
2	3600	460	145T	2.7	86.5	85.5	M8907	\$1,293	G4-7UX1	Y	43	11.60	55
2	3600	575	145T	2.2	86.5	85.5	M8908	\$1,293	G4-7UX1	N	43	11.60	55
2	1800	460	145T	2.7	86.5	85.5	M361	\$1,250	G4-7UX1	Y	50	13.40	
2	1800	575	145T	2.2	86.5	85.5	M362	\$1,250	G4-7UX1	Y	50	13.40	
2	1200	460	184T	3.0	88.5	87.5	M9416	\$1,278	G4-7UX1	Y	101	15.90	
2	1200	575	184T	2.5	88.5	87.5	M9486	\$1,278	G4-7UX1	Y	101	15.90	
2	900	460	213T	3.8	86.5	85.5	M9417	\$2,031	G4-7UX1	N	200	20.10	
2	900	575	213T	3.0	86.5	85.5	M9487	\$2,031	G4-7UX1	N	200	20.10	
3	3600	460	182T	3.9	89.5	88.5	M9418	\$1,178	G4-7UX1	Y	76	15.90	55
3	3600	575	182T	3.1	89.5	88.5	M9488	\$1,178	G4-7UX1	N	76	15.90	55
3	1800	460	182T	4.2	89.5	88.5	M9419	\$1,112	G4-7UX1	Y	76	15.90	55
3	1800	575	182T	3.3	89.5	88.5	M9489	\$1,112	G4-7UX1	Y	76	15.90	55
3	1200	460	213T	4.2	89.5	88.5	M9420	\$1,425	G4-7UX1	Y	200	20.10	
3	1200	575	213T	3.4	89.5	88.5	M9490	\$1,425	G4-7UX1	Y	200	20.10	
3	900	460	215T	5.4	86.5	85.5	M9421	\$2,621	G4-7UX1	N	220	20.10	
3	900	575	215T	4.3	86.5	85.5	M9491	\$2,621	G4-7UX1	N	220	20.10	

Notes:
55 TENV Construction

X\$D Ultra® 841
TEFC—Extra Severe Duty

Pricing (cont.)



Volts: 460, 575
HP: 0.75 – 250

HP	RPM	Volts	Frame	FLA	Nom. Eff.	Guar. Min. Eff.	Cat. No.	List Price	Price Symbol	Norm. Stk.	Wt. (lbs)	C Dim. (in)	Notes
5	3600	460	184T	6.3	90.2	89.5	M9422	\$1,334	G4-7UX1	Y	101	15.90	
5	3600	575	184T	5.0	90.2	89.5	M9492	\$1,334	G4-7UX1	N	101	15.90	
5	1800	460	184T	6.6	89.5	88.5	M9423	\$1,182	G4-7UX1	Y	101	15.90	
5	1800	575	184T	5.3	89.5	88.5	M9493	\$1,182	G4-7UX1	Y	101	15.90	
5	1200	460	215T	7.2	89.5	88.5	M9424	\$2,007	G4-7UX1	Y	220	20.10	
5	1200	575	215T	5.4	89.5	88.5	M9494	\$2,007	G4-7UX1	Y	220	20.10	
5	900	460	254T	8.1	89.5	88.5	M9425	\$3,615	G4-7UX1	N	315	25.60	
5	900	575	254T	6.5	89.5	88.5	M9495	\$3,615	G4-7UX1	N	315	25.60	
7.5	3600	460	213T	8.5	91.0	90.2	M9426	\$1,740	G4-7UX1	Y	200	20.10	
7.5	3600	575	213T	6.8	91.0	90.2	M9496	\$1,740	G4-7UX1	N	200	20.10	
7.5	1800	460	213T	9.1	91.7	91.0	M9427	\$1,730	G4-7UX1	Y	200	20.10	
7.5	1800	575	213T	7.2	91.7	91.0	M9497	\$1,730	G4-7UX1	Y	200	20.10	
7.5	1200	460	254T	9.8	91.7	91.0	M9428	\$2,667	G4-7UX1	Y	315	25.60	
7.5	1200	575	254T	7.9	91.7	91.0	M9498	\$2,667	G4-7UX1	Y	315	25.60	
7.5	900	460	256T	11.6	89.5	88.5	M9429	\$4,577	G4-7UX1	N	350	25.60	
7.5	900	575	256T	9.3	89.5	88.5	M9499	\$4,577	G4-7UX1	N	350	25.60	
10	3600	460	215T	11.2	91.0	90.2	M9430	\$1,883	G4-7UX1	Y	220	20.10	
10	3600	575	215T	9.0	91.0	90.2	M9563	\$1,883	G4-7UX1	N	220	20.10	
10	1800	460	215T	12.0	91.7	91.0	M9431	\$1,929	G4-7UX1	Y	220	20.10	
10	1800	575	215T	9.6	91.7	91.0	M9564	\$1,929	G4-7UX1	Y	220	20.10	
10	1200	460	256T	13.1	91.0	90.2	M9432	\$3,260	G4-7UX1	Y	350	25.60	
10	1200	575	256T	10.5	91.0	90.2	M9565	\$3,260	G4-7UX1	Y	350	25.60	
10	900	460	284T	13.8	90.2	89.5	M9433	\$5,426	G4-7UX1	N	460	28.58	
10	900	575	284T	11.0	90.2	89.5	M9566	\$5,426	G4-7UX1	N	460	28.58	
15	3600	460	254T	17.6	91.7	91.0	M9434	\$2,588	G4-7UX1	Y	315	25.60	
15	3600	575	254T	14.0	91.7	91.0	M9567	\$2,588	G4-7UX1	N	315	25.60	
15	1800	460	254T	18.0	92.4	91.7	M9435	\$2,541	G4-7UX1	Y	315	25.60	
15	1800	575	254T	14.4	92.4	91.7	M9568	\$2,541	G4-7UX1	Y	315	25.60	
15	1200	460	284T	19.6	91.7	91.0	M9436	\$4,323	G4-7UX1	Y	460	28.58	
15	1200	575	284T	15.7	91.7	91.0	M9569	\$4,323	G4-7UX1	Y	460	28.58	
15	900	460	286T	20.5	90.2	89.5	M9437	\$7,089	G4-7UX1	N	510	28.58	
15	900	575	286T	16.4	90.2	89.5	M9570	\$7,089	G4-7UX1	N	510	28.58	
20	3600	460	256T	22.6	92.4	91.7	M9438	\$3,203	G4-7UX1	Y	350	25.60	
20	3600	575	256T	18.1	92.4	91.7	M9571	\$3,203	G4-7UX1	N	350	25.60	
20	1800	460	256T	23.3	93.0	92.4	M9439	\$3,167	G4-7UX1	Y	350	25.60	
20	1800	575	256T	18.6	93.0	92.4	M9572	\$3,167	G4-7UX1	Y	350	25.60	

2.20

X\$D Ultra® 841

X\$D Ultra® 841
TEFC—Extra Severe Duty

Pricing (cont.)

Volts: 460, 575
HP: 0.75 – 250



HP	RPM	Volts	Frame	FLA	Nom. Eff.	Guar. Min. Eff.	Cat. No.	List Price	Price Symbol	Norm. Stk.	Wt. (lbs)	C Dim. (in)	Notes
20	1200	460	286T	26.0	91.7	91.0	M9440	\$5,268	G4-7UX1	Y	510	28.58	
20	1200	575	286T	20.8	91.7	91.0	M9573	\$5,268	G4-7UX1	Y	510	28.58	
20	900	460	324T	29.8	91.0	90.2	M9441	\$8,189	G4-7UX1	N	649	30.54	
20	900	575	324T	23.9	91.0	90.2	M9574	\$8,189	G4-7UX1	N	649	30.54	
25	3600	460	284TS	27.8	93.0	92.4	M9442	\$3,948	G4-7UX1	Y	460	27.20	
25	3600	575	284TS	22.2	93.0	92.4	M9575	\$3,948	G4-7UX1	N	460	27.20	
25	1800	460	284T	29.8	93.6	93.0	M9443	\$3,771	G4-7UX1	Y	460	28.58	
25	1800	575	284T	23.8	93.6	93.0	M9576	\$3,771	G4-7UX1	Y	460	28.58	
25	1200	460	324T	32.3	93.0	92.4	M9444	\$6,669	G4-7UX1	Y	679	30.54	
25	1200	575	324T	25.8	93.0	92.4	M9577	\$6,669	G4-7UX1	Y	679	30.54	
25	900	460	326T	37.0	91.0	90.2	M9445	\$9,807	G4-7UX1	N	710	32.04	
25	900	575	326T	29.2	91.0	90.2	M9578	\$9,807	G4-7UX1	N	710	32.04	
30	3600	460	286TS	33.4	93.0	92.4	M9446	\$4,610	G4-7UX1	Y	510	27.20	
30	3600	575	286TS	26.7	93.0	92.4	M9579	\$4,610	G4-7UX1	N	510	27.20	
30	1800	460	286T	35.5	93.6	93.0	M9447	\$4,383	G4-7UX1	Y	510	28.58	
30	1800	575	286T	28.4	93.6	93.0	M9580	\$4,383	G4-7UX1	Y	510	28.58	
30	1200	460	326T	38.2	93.0	92.4	M9448	\$7,443	G4-7UX1	Y	730	32.04	
30	1200	575	326T	30.8	93.0	92.4	M9581	\$7,443	G4-7UX1	Y	730	32.04	
30	900	460	364T	42.2	92.4	91.7	M9449	\$12,110	G4-7UX	N	1010	34.89	
30	900	575	364T	33.8	92.4	91.7	M9582	\$12,110	G4-7UX	N	1010	34.89	
40	3600	460	324TS	46.8	94.1	93.6	M9450	\$6,264	G4-7UX1	Y	649	29.04	
40	3600	575	324TS	37.4	94.1	93.6	M9583	\$6,264	G4-7UX1	N	649	29.04	
40	1800	460	324T	50.8	94.5	94.1	M9451	\$6,077	G4-7UX1	Y	689	30.54	
40	1800	575	324T	40.6	94.5	94.1	M9584	\$6,077	G4-7UX1	Y	689	30.54	
40	1200	460	364T	49.4	94.1	93.6	M9452	\$9,950	G4-7UX	Y	1030	34.89	
40	1200	575	364T	39.8	94.1	93.6	M9585	\$9,950	G4-7UX	Y	1030	34.89	
40	900	460	365T	55.9	93.0	92.4	M9453	\$14,937	G4-7UX	N	1090	34.89	
40	900	575	365T	45.0	93.0	92.4	M9586	\$14,937	G4-7UX	N	1090	34.89	
50	3600	460	326TS	57.3	94.5	94.1	M9454	\$7,647	G4-7UX1	Y	700	30.48	
50	3600	575	326TS	45.5	94.5	94.1	M9587	\$7,647	G4-7UX1	N	700	30.48	
50	1800	460	326T	63.9	94.5	94.1	M9455	\$6,923	G4-7UX1	Y	740	32.04	
50	1800	575	326T	51.1	94.5	94.1	M9588	\$6,923	G4-7UX1	Y	740	32.04	
50	1200	460	365T	62.2	94.1	93.6	M9456	\$11,343	G4-7UX	Y	1070	34.89	
50	1200	575	365T	49.7	94.1	93.6	M9589	\$11,343	G4-7UX	Y	1070	34.89	
50	900	460	404T	66.6	93.0	92.4	M9457	\$18,023	G4-7UX	N	1490	39.77	
50	900	575	404T	53.0	93.0	92.4	M9590	\$18,023	G4-7UX	N	1490	39.77	

X\$D Ultra® 841
TEFC—Extra Severe Duty

Pricing (cont.)



Volts: 460, 575
HP: 0.75 – 250

HP	RPM	Volts	Frame	FLA	Nom. Eff.	Guar. Min. Eff.	Cat. No.	List Price	Price Symbol	Norm. Stk.	Wt. (lbs)	C Dim. (in)	Notes
60	3600	460	364TS	70.4	95.0	94.5	M9458	\$10,256	G4-7UX	Y	940	32.76	
60	3600	575	364TS	56.3	95.0	94.5	M9591	\$10,256	G4-7UX	N	940	32.76	
60	1800	460	364T	71.2	95.0	94.5	M9459	\$9,924	G4-7UX	Y	1020	34.89	
60	1800	575	364T	56.6	95.0	94.5	M9592	\$9,924	G4-7UX	Y	1020	34.89	
60	1200	460	404T	72.5	95.0	94.5	M9460	\$13,245	G4-7UX	Y	1480	39.77	
60	1200	575	404T	58.0	95.0	94.5	M9593	\$13,245	G4-7UX	N	1480	39.77	
60	900	460	405T	78.9	93.0	92.4	M9461	\$20,340	G4-7UX	N	1570	39.77	
60	900	575	405T	63.1	93.0	92.4	M9594	\$20,340	G4-7UX	N	1570	39.77	
75	3600	460	365TS	85.2	95.8	95.4	M9462	\$12,261	G4-7UX	Y	1020	32.76	
75	3600	575	365TS	68.6	95.8	95.4	M8917	\$12,261	G4-7UX	N	1020	32.76	
75	1800	460	365T	86.6	95.4	95.0	M9463	\$11,759	G4-7UX	Y	1090	34.89	
75	1800	575	365T	68.9	95.4	95.0	M9596	\$11,759	G4-7UX	Y	1090	34.89	
75	1200	460	405T	89.6	95.0	94.5	M9464	\$14,547	G4-7UX	Y	1540	39.77	
75	1200	575	405T	71.2	95.0	94.5	M9597	\$14,547	G4-7UX	N	1540	39.77	
75	900	460	444T	94.0	94.5	94.1	M9465	\$25,449	G4-7UX	N	1950	45.62	
75	900	575	444T	75.2	94.5	94.1	M9598	\$25,449	G4-7UX	N	1950	45.62	
100	3600	460	405TS	108.0	95.4	95.0	M9466	\$15,783	G4-7UX	Y	1530	36.76	
100	3600	575	405TS	86.3	95.4	95.0	M8918	\$15,783	G4-7UX	N	1530	36.76	
100	1800	460	405T	119.0	95.8	95.4	M9467	\$14,477	G4-7UX	Y	1480	39.77	
100	1800	575	405T	95.3	95.8	95.4	M9693	\$14,477	G4-7UX	Y	1480	39.77	113
100	1200	460	444T	116.0	95.4	95.0	M9468	\$18,723	G4-7UX	Y	2060	45.62	
100	1200	575	444T	93.0	95.4	95.0	M9694	\$18,723	G4-7UX	N	2060	45.62	
100	900	460	445T	125.0	94.5	94.1	M9469	\$32,247	G4-7UX	N	2020	45.62	
100	900	575	445T	100.0	94.5	94.1	M9695	\$32,247	G4-7UX	N	2020	45.62	
125	3600	460	444TS	139.0	95.4	95.0	M9470	\$20,169	G4-7UX	Y	1790	41.87	
125	3600	575	444TS	112.0	95.4	95.0	M8919	\$20,169	G4-7UX	N	1790	41.87	
125	1800	460	444T	144.0	95.8	95.4	M9471	\$18,651	G4-7UX	Y	1970	45.62	
125	1800	575	444T	115.0	95.8	95.4	M9697	\$18,651	G4-7UX	Y	1970	45.62	
125	1200	460	445T	150.0	95.4	95.0	M9472	\$22,307	G4-7UX	Y	2130	45.62	
125	1200	575	445T	120.0	95.4	95.0	M9698	\$22,307	G4-7UX	N	2130	45.62	
125	900	460	447T	155.0	95.0	94.5	M9473	\$35,909	G4-7UX	N	2580	52.12	
125	900	575	447T	124.0	95.0	94.5	M9699	\$35,909	G4-7UX	N	2580	52.12	
150	3600	460	445TS	163.0	95.8	95.4	M9474	\$23,874	G4-7UX	Y	1930	41.87	
150	3600	575	445TS	130.0	95.8	95.4	M8920	\$23,874	G4-7UX	N	1930	41.87	
150	1800	460	445T	170.0	96.2	95.8	M9475	\$21,431	G4-7UX	Y	2090	45.62	
150	1800	575	445T	137.0	96.2	95.8	M9384	\$21,431	G4-7UX	Y	2060	45.62	

Notes:

113 Bearing temperature exceeds IEEE-841

X\$D Ultra® 841
TEFC—Extra Severe Duty

Pricing (cont.)



Volts: 460, 575
HP: 0.75 - 250

HP	RPM	Volts	Frame	FLA	Nom. Eff.	Guar. Min. Eff.	Cat. No.	List Price	Price Symbol	Norm. Stk.	Wt. (lbs)	C Dim. (in)	Notes
150	1200	460	447T	171.0	95.8	95.4	M9476	\$27,162	G4-7UX	Y	2860	52.12	
150	1200	575	447T	137.0	95.8	95.4	M9385	\$27,162	G4-7UX	N	2860	52.12	
150	900	460	449T	184.0	95.0	94.5	M8937	\$39,158	G4-7UX	N	3150	52.12	
150	900	575	449T	147.0	95.0	94.5	M8938	\$39,158	G4-7UX	N	3120	52.12	
200	3600	460	447TS	214.0	95.8	95.4	M9477	\$29,729	G4-7UX	Y	2560	50.37	66, 112
200	3600	460	447TS	214.0	95.8	95.4	M8978	\$29,729	G4-7UX	Y	2630	50.37	62, 112
200	3600	575	447TS	170.0	95.8	95.4	M8939	\$29,729	G4-7UX	N	2560	50.37	66, 112
200	1800	460	447T	220.0	96.5	96.2	M9478	\$26,421	G4-7UX	Y	2800	54.12	
200	1800	575	447T	175.0	96.5	96.2	M9387	\$26,421	G4-7UX	Y	2800	54.12	
200	1200	460	449T	229.0	95.8	95.4	M8940	\$30,213	G4-7UX	Y	3070	54.12	
200	1200	575	449T	183.0	95.8	95.4	M8941	\$30,213	G4-7UX	N	3070	54.12	
200	900	460	449T	247.0	95.4	95.0	M8942	\$41,250	G4-7UX	N	3120	54.12	97, 113
250	3600	460	449TS	265.0	95.8	95.4	M8943	\$37,578	G4-7UX	Y	2770	50.37	66, 112, 113
250	3600	460	449TS	265.0	95.8	95.4	M8979	\$37,578	G4-7UX	Y	2770	50.37	62, 112, 113
250	3600	575	449TS	211.0	95.8	95.4	M8944	\$37,578	G4-7UX	N	2770	50.37	66, 112, 113
250	1800	460	449T	280.0	96.2	95.8	M8945	\$30,654	G4-7UX	Y	2790	54.12	112
250	1800	575	449T	224.0	96.2	95.8	M8946	\$30,654	G4-7UX	N	2790	54.12	112
250	1200	460	449T	294.0	95.8	95.4	M8947	\$35,990	G4-7UX	Y	3150	54.12	95, 96, 97
250	1200	575	449T	233	95.8	95.4	M9630	\$35,990	G4-7UX	N	3150	54.12	95, 96, 97
300	3600	460	449TS	319.0	95.8	95.4	M8948	\$40,170	G4-7UX	Y	2790	54.12	62, 95, 96, 116
300	1800	460	449T	332.0	96.2	95.8	M8949	\$35,624	G4-7UX	Y	2980	54.12	112
300	1800	575	449T	264	96.2	95.8	M9640	\$35,624	G4-7UX	N	2980	54.12	112

Notes:

- 62 Connected for CCW rotation facing opposite shaft end. No reconnection possible
- 66 CW rotation only facing opposite drive end. CCW rotation available, but must be specified on the order
- 95 Class F temperature rise
- 96 Does not meet IEEE 841 temperature rise
- 97 Does not meet 200C AIT at 1.0SF-215C AIT and above only
- 112 Noise level exceeds IEEE-841
- 113 Bearing temperature exceeds IEEE-841
- 116 Does not meet 200°C AIT at 1.0SF-260°C AIT and above only.

X\$D Ultra® 841
TEFC—Extra Severe Duty
C-Face

Pricing



Volts: 460
HP: 1 – 50

HP	RPM	Volts	Frame	FLA	Nom. Eff.	Guar. Min. Eff.	Cat. No.	List Price	Price Symbol	Norm. Stk.	Wt. (lbs)	C Dim. (in)	Notes
1	1800	460	143TC	1.4	86.5	85.5	M520	\$1,145	G4-7UX1	Y	43	13.92	
1.5	1800	460	145TC	2.1	86.5	85.5	M521	\$1,286	G4-7UX1	Y	50	13.92	
1.5	1200	460	182TC	2.4	87.5	86.5	M8926	\$1,184	G4-7UX1	N	76	16.65	
2	1800	460	145TC	2.7	86.5	85.5	M526	\$1,377	G4-7UX1	Y	50	13.92	
2	1200	460	184TC	3.0	88.5	87.5	M8928	\$1,307	G4-7UX1	N	101	16.65	
3	3600	460	182TC	3.9	89.5	88.5	M8925	\$1,335	G4-7UX1	Y	76	16.65	55
3	1800	460	182TC	4.2	89.5	88.5	M8909	\$1,263	G4-7UX1	Y	76	16.65	55
5	3600	460	184TC	6.3	90.2	89.5	M8927	\$1,484	G4-7UX1	Y	101	16.65	
5	1800	460	184TC	6.6	89.5	88.5	M8910	\$1,320	G4-7UX1	Y	101	16.65	
5	1200	460	215TC	7.2	89.5	88.5	M8932	\$2,145	G4-7UX1	N	220	20.90	
7.5	3600	460	213TC	8.5	91.0	90.2	M8929	\$1,898	G4-7UX1	Y	200	20.90	
7.5	1800	460	213TC	9.1	91.7	91.0	M8911	\$1,878	G4-7UX1	Y	200	20.90	
7.5	1200	460	254TC	9.8	91.7	91.0	M8934	\$2,847	G4-7UX1	N	315	26.09	
10	3600	460	215TC	11.2	91.0	90.2	M8931	\$2,021	G4-7UX1	Y	220	20.90	
10	1800	460	215TC	12.0	91.7	91.0	M8912	\$2,079	G4-7UX1	Y	220	20.90	
10	1200	460	256TC	13.1	91.0	90.2	M8936	\$3,438	G4-7UX1	N	350	26.09	
15	3600	460	254TC	17.6	91.7	91.0	M8933	\$2,768	G4-7UX1	Y	315	26.09	
15	1800	460	254TC	18.0	92.4	91.7	M8913	\$2,727	G4-7UX1	Y	315	26.09	
15	1200	460	284TC	19.6	91.7	91.0	M8921	\$4,575	G4-7UX1	N	460	28.58	
20	3600	460	256TC	22.6	92.4	91.7	M8935	\$3,387	G4-7UX1	Y	350	26.09	
20	1800	460	256TC	23.3	93.0	92.4	M8914	\$3,362	G4-7UX1	Y	350	26.09	
20	1200	460	286TC	26.0	91.7	91.0	M8922	\$5,519	G4-7UX1	N	510	28.58	
25	3600	460	284TSC	27.8	93.0	92.4	M8951	\$4,206	G4-7UX1	Y	460	27.20	
25	1800	460	284TC	29.8	93.6	93.0	M8915	\$4,028	G4-7UX1	Y	460	28.58	
30	3600	460	286TSC	33.4	93.0	92.4	M8952	\$4,865	G4-7UX1	Y	510	27.20	
30	1800	460	286TC	35.5	93.6	93.0	M8916	\$4,637	G4-7UX1	Y	510	28.58	
40	3600	460	324TSC	46.3	94.1	93.6	M8971	\$6,584	G4-7UX1	Y	649	29.04	
40	1800	460	324TC	49.8	94.5	94.1	M8972	\$6,396	G4-7UX1	Y	689	30.54	
50	3600	460	326TSC	56.9	94.5	94.1	M8973	\$7,967	G4-7UX1	Y	700	30.48	
50	1800	460	326TC	62.3	94.5	94.1	M8974	\$7,244	G4-7UX1	Y	740	32.04	

Notes:
55 TENV Construction
C-Face ratings through 250HP, 449T Frame are available by custom order

X\$D Ultra® 841
TEFC—Extra Severe Duty
Typical Performance Data



Volts: 460
HP: 0.75 – 250

HP	FL RPM	NP FLA	Design LRA	NEMA B LRA	Code KVA/HP	FLT (lb-ft)	LRT (lb-ft)	BDT (lb-ft)	NP Eff. Full Load	Guar. Eff. Full Load	75% Load Eff.	50% Load Eff.	NP PF Full Load	75% Load Power Factor	50% Load Power Factor	Max. KVAR
0.75	1150	1.4	7.5	12.5	P	3.4	9.5	12.3	80.0	78.5	81.1	78.3	63.5	54.4	42.0	0.6
0.75	855	1.9	7.2	12.5	P	4.6	11.5	14.8	72.0	70.0	72.4	67.5	52.0	43.1	32.9	1.0
1	1750	1.4	11.9	15.0	N	3.0	11.5	14.0	86.5	85.5	86.9	84.8	76.0	68.0	55.1	0.5
1	1155	1.8	10.8	15.0	N	4.5	14.3	18.1	82.5	81.5	83.2	80.7	62.5	53.5	41.1	0.8
1	875	2.2	10.4	15.0	N	6.0	11.0	18.9	80.0	78.5	79.3	75.3	52.5	43.8	33.2	1.2
1.5	3530	2.0	18.6	20.0	M	2.2	7.4	9.6	87.5	86.5	89.6	88.5	80.5	73.7	61.3	0.6
1.5	1740	2.1	16.9	20.0	M	4.5	16.7	19.8	86.5	85.5	87.5	86.1	77.5	69.8	56.8	0.8
1.5	1175	2.4	17.4	20.0	M	6.7	14.7	27.8	87.5	86.5	88.4	86.6	68.0	59.5	46.7	1.0
1.5	870	3.2	14.7	20.0	M	9.0	16.7	26.1	80.0	78.5	80.0	76.7	55.5	46.7	35.6	1.6
2	3515	2.7	23.1	25.0	L	3.0	9.2	11.9	86.5	85.5	89.0	88.2	80.0	72.7	59.9	0.8
2	1735	2.7	21.0	25.0	L	6.1	21.2	24.8	86.5	85.5	88.0	87.2	80.0	72.8	60.2	0.9
2	1170	3.0	22.6	25.0	L	9.0	19.6	36.1	88.5	87.5	88.9	87.5	69.5	61.3	48.4	1.2
2	880	3.8	20.5	25.0	L	12.0	20.1	38.4	86.5	85.5	85.9	83.3	57.0	48.6	37.2	1.9
3	3530	3.8	25.8	32.0	K	4.5	8.1	14.0	89.5	88.5	91.3	90.8	82.0	76.4	65.1	1.0
3	1760	4.2	29.2	32.0	K	8.9	23.1	30.2	89.5	88.5	89.8	88.8	75.5	68.4	55.9	1.5
3	1175	4.3	29.9	32.0	K	13.0	26.5	41.4	89.5	88.5	89.7	88.5	73.0	66.0	53.8	1.7
3	875	5.4	27.8	32.0	K	18.0	29.1	51.2	86.5	85.5	86.6	84.9	60.5	52.8	41.0	2.5
5	3535	6.1	43.7	46.0	J	7.4	14.9	23.9	90.2	89.5	91.1	90.1	84.5	80.0	70.3	1.5
5	1755	6.6	42.9	46.0	J	15.0	35.0	44.0	89.5	88.5	90.9	90.5	79.0	73.9	63.0	2.0
5	1170	6.8	42.8	46.0	J	22.0	39.7	59.1	89.5	88.5	90.5	90.3	77.0	71.6	60.6	2.2
5	880	7.6	40.5	46.0	J	30.0	48.8	82.4	89.5	88.5	89.7	88.4	69.0	61.1	48.6	3.2
7.5	3535	8.4	60.8	63.5	H	11.0	24.4	30.7	91.0	90.2	92.0	91.3	91.5	89.9	85.4	1.4
7.5	1770	9.2	60.4	63.5	H	22.0	42.3	59.0	91.7	91.0	92.3	91.8	83.5	80.6	72.5	2.2
7.5	1175	9.6	60.7	63.5	H	34.0	65.2	91.8	91.7	91.0	92.4	91.7	79.5	74.5	63.9	2.9
7.5	880	11.3	60.6	63.5	H	45.0	77.8	122.5	89.5	88.5	90.2	89.2	69.5	62.0	49.5	4.6
10	3525	11.3	76.0	81.0	H	15.0	31.1	38.7	91.0	90.2	92.1	91.9	91.0	90.1	85.9	1.8
10	1765	12.2	77.2	81.0	H	30.0	55.6	75.6	91.7	91.0	92.4	92.3	84.0	81.1	73.4	2.9
10	1170	12.7	72.3	81.0	H	45.0	79.1	110.6	91.0	90.2	92.0	91.9	81.0	76.7	66.8	3.6
10	885	13.6	75.2	81.0	H	60.0	84.3	136.8	89.5	88.5	91.1	91.2	77.0	72.6	62.3	4.0
15	3550	16.9	108.1	116.0	G	22.0	44.7	50.7	91.7	91.0	92.6	92.4	90.5	90.3	87.4	2.3
15	1770	17.8	110.5	116.0	G	45.0	97.3	114.6	92.4	91.7	93.1	93.0	85.5	82.3	73.8	4.4
15	1185	19.1	109.5	116.0	G	67.0	98.0	164.3	91.7	91.0	92.8	92.4	80.0	74.9	64.3	5.8
15	880	20.1	111.6	116.0	G	90.0	133.4	207.2	89.5	88.5	91.0	91.4	78.0	73.9	64.0	5.7
20	3550	22.1	147.0	145.0	G	30.0	70.2	65.4	92.4	91.7	93.3	93.4	91.5	91.6	89.7	2.5
20	1770	22.9	140.6	145.0	G	59.0	133.4	142.9	93.0	92.4	93.8	94.0	88.0	85.7	79.3	4.6
20	1180	25.4	142.1	145.0	G	89.0	130.1	214.3	91.7	91.0	93.1	92.8	80.5	75.8	65.6	7.4
20	875	29.6	137.2	145.0	G	120.0	191.0	264.6	91.0	90.2	92.1	91.6	69.5	63.1	51.3	11.2

2.25
X\$D Ultra® 841

X\$D Ultra® 841
TEFC—Extra Severe Duty

Typical Performance Data (cont.)



Volts: 460
HP: 0.75 – 250

HP	FL RPM	NP FLA	Design LRA	NEMA B LRA	Code KVA/HP	FLT (lb-ft)	LRT (lb-ft)	BDT (lb-ft)	NP Eff. Full Load	Guar. Eff. Full Load	75% Load Eff.	50% Load Eff.	NP PF Full Load	75% Load Power Factor	50% Load Power Factor	Max. KVAR
25	3555	27.2	181.6	182.5	G	36.9	96.5	94.2	93	92.4	93.3	92.9	92.5	91.7	88.3	3.9
25	1775	29.1	174.8	182.5	G	73.9	122.9	181.4	93.6	93	94.1	94	86	82.8	74.7	7
25	1180	31.5	173.1	182.5	G	111.3	213.5	252	93	92.4	93.7	93.3	80	75.6	66	8.9
25	875	36.5	167.5	182.5	G	150.2	238.5	323.7	91	90.2	92.2	91.8	70.5	64.3	52.7	13.3
30	3550	32.5	217.3	217.5	G	44.4	123.4	111.8	93	92.4	93.7	93.5	93	92.3	89.3	4.3
30	1775	34.7	206.4	217.5	G	88.7	147.3	210.7	93.6	93	94.1	94.2	86.5	83.7	76.2	7.9
30	1180	38	210.6	217.5	G	133.7	265.6	309.1	93	92.4	93.7	93.4	79.5	75.3	65.5	10.9
30	890	41.6	187.8	217.5	G	177.2	242.8	387.4	92.4	91.7	94.2	93.6	73	67.2	55.7	14.4
40	3570	47.1	270.2	290	G	58.8	89	144.4	94.1	93.6	93.9	92.8	84.5	81.4	73.1	11.9
40	1780	48	260	290	G	117.9	199.1	279.8	94.5	94.1	94.9	94.6	82.5	78.1	68.5	13.4
40	1185	48.8	263.8	290	G	176.9	264	425.4	94.1	93.6	94.8	94.4	81.5	76.9	66.8	14
40	890	54.8	253.2	290	G	236.3	336.2	522.7	93	92.4	94.4	93.9	73.5	67.4	56	19
50	3570	57.3	324.5	362.5	G	73.6	117	171	94.5	94.1	94.5	93.7	86.5	84.4	77.6	12.4
50	1780	60.4	325.6	362.5	G	147.6	255.7	350.7	94.5	94.1	95	94.7	82	77.7	67.9	17.1
50	1185	61	324.3	362.5	G	221.3	331.6	524.5	94.1	93.6	95	94.7	81.5	77.1	67.2	17.3
50	885	66.2	332.7	362.5	G	297.2	443.8	753.8	93	92.4	94.4	94	76	70.1	58.5	22.4
60	3570	69.1	412.9	435	G	88.2	129	222.8	95	94.5	95	94.1	85.5	82	73.5	17.5
60	1780	70	403.7	435	G	176.8	286.3	433.2	95	94.5	95.3	95.1	84.5	80.9	72	18
60	1190	71.7	401.6	435	G	264.2	380.7	614.8	95	94.5	95.3	94.8	82.5	78.5	69.3	19.3
60	885	78.9	399.7	435	G	356.8	545.6	909	93	92.4	94.7	94.4	76.5	70.8	59.4	26.1
75	3570	83.1	504.7	542.5	G	110.3	180.8	269.4	95.4	95	95.6	95	88.5	86.4	80.1	16.9
75	1780	86.1	516.9	542.5	G	220.9	391.8	552.3	95.4	95	95.7	95.6	85.5	82.4	74.1	20.8
75	1190	89.6	510.2	542.5	G	330.3	498.4	779.7	95	94.5	95.5	95.1	82.5	78.7	69.5	24
75	890	93.4	481.3	542.5	G	442.2	614.6	1018.2	94.5	94.1	95.3	94.8	79.5	75.1	65.3	27
100	3570	108	706.3	725	G	147.1	244.1	384.9	95.4	95	95.8	95.6	91	89.8	85.6	17.3
100	1785	118	589	725	G	293.9	429.8	670.9	95.8	95.4	96.1	95.9	83	79.4	70.4	31.2
100	1195	116	691.8	725	G	440.2	603.7	1078.8	95.4	95	95.4	94.9	84.5	81.6	73.4	28.2
100	890	125	643	725	G	589.9	846.6	1370.4	94.5	94.1	95.4	95	79.5	75.1	65.2	36.1
125	3580	139	824.3	907.5	G	183.3	220.9	467.6	95.4	95	95.6	95.2	88.5	86.2	79.8	28.6
125	1785	140	831.1	907.5	G	367.9	654	937.3	95.8	95.4	95.9	95.6	87	84.1	76.5	32.2
125	1190	149	857.1	907.5	G	550.6	996.5	1306.4	95.4	95	95.6	95.1	82.5	78.9	69.8	39.7
125	890	155	828	907.5	G	737.7	1136.3	1796.4	95	94.5	95.4	95.2	79.5	75.7	66	43.9
150	3580	162	1016.6	1085	G	220	314.8	569.1	95.8	95.4	96.1	95.8	90.5	88.9	84	28.3
150	1790	166	1001.4	1085	G	439.8	523.6	1108.4	96.2	95.8	96.4	96.2	88	85.8	79.1	34.6
150	1195	171	1034.2	1085	G	660.4	1010.2	1758.8	95.8	95.4	95.8	95.6	85.5	82.8	75.2	39.3
150	890	184	975.7	1085	G	885.1	1348.5	2081.7	95	94.5	95.7	95.6	80.5	77	68	48.8

X\$D Ultra® 841
TEFC—Extra Severe Duty

Typical Performance Data (cont.)



Volts: 460
HP: 0.75 - 250

HP	FL RPM	NP FLA	Design LRA	NEMA B LRA	Code KVA/HP	FLT (lb-ft)	LRT (lb-ft)	BDT (lb-ft)	NP Eff. Full Load	Guar. Eff. Full Load	75% Load Eff.	50% Load Eff.	NP PF Full Load	75% Load Power Factor	50% Load Power Factor	Max. KVAR
200	3580	211	1385	1450	G	293.2	511.4	832.8	95.8	95.4	95.9	95.5	92.5	92	89.2	27.4
200	1790	218	1334.3	1450	G	586.2	744.3	1497.3	96.5	96.2	96.7	96.6	89	87.1	81.3	41.6
200	1190	227	1345.1	1450	G	881	1349.6	2294.5	95.8	95.4	96	95.9	86	83.3	76.1	50.4
200	890	245	1377.2	1450	G	1180.7	1971.9	2988.6	95.4	95	95.7	95.5	80	75.8	66.1	69.9
250	3580	265	1707.8	1825	G	366.7	601.8	1025.1	95.8	95.4	96	95.8	92	91.6	88.4	36.4
250	1790	272	1529.2	1825	G	733	868.3	1725.5	96.5	96.2	96.9	96.8	89	87.8	82.9	47.1
250	1195	294.0	1822.3	1825	G	1099.9	1495.1	3152.6	95.8	95.4	96.2	96.1	83	79.1	69.7	79.2
300	1790	332.0	1995.4	2200	G	879.2	1118.7	2242	96.2	95.8	96.4	96	88	86.2	80	65.9
300	3580	319.0	2099.3	2200	G	440.1	717.2	1242.4	95.8	95.4	96.2	96.1	92	91.5	88.2	44.4

X\$D Ultra® 841
TEFC—Extra Severe Duty

Typical Performance Data (cont.)



Volts: 575
HP: 1 - 250

HP	FL RPM	NP FLA	Design LRA	NEMA B LRA	Code KVA/HP	FLT (lb-ft)	LRT (lb-ft)	BDT (lb-ft)	NP Eff. Full Load	Guar. Eff. Full Load	75% Load Eff.	50% Load Eff.	NP PF Full Load	75% Load Power Factor	50% Load Power Factor	Max. KVAR
0.75	1150	1.1	5.9	10	P	3.4	9.3	12	80	78.5	81.3	78.6	64	55.1	42.6	0.6
1	3540	1.1	10.3	16	N	1.5	4.9	6.6	87.5	86.5	89	87.3	80	72.9	60.5	0.4
1	1750	1.1	9.6	12	N	3	11.6	14.1	86.5	85.5	86.8	84.7	75.5	67.6	54.7	0.5
1	1155	1.5	8.9	12	N	4.5	14.8	18.7	82.5	81.5	82.9	80.1	61.5	52.2	40	0.9
1	875	1.8	8.5	12	N	6	11.2	19.1	80	78.5	79	74.9	52	43.5	33	1.2
1.5	3530	1.6	14.7	16	M	2.2	7.2	9.4	87.5	86.5	89.4	88.3	81	73.9	61.5	0.6
1.5	1740	1.7	13.8	16	M	4.5	17.2	20.3	86.5	85.5	87.7	86.3	77.5	69.5	56.5	0.8
1.5	1175	1.9	14.1	16	M	6.7	14.9	28.1	87.5	86.5	88.3	86.5	67.5	59.1	46.3	1
1.5	870	2.6	12.4	16	M	9	18	27.5	80	78.5	80.1	76.5	53.5	45.2	34.3	1.7
2	3515	2.2	18.4	20	L	3	9.2	11.8	86.5	85.5	89	88.2	80	73	60.3	0.8
2	1735	2.2	16.9	20	L	6.1	21.4	25.0	86.5	85.5	87.9	87.1	80	72.7	60	0.9
2	1170	2.5	19.3	20	L	9	21.3	38.7	88.5	87.5	88.9	87.3	68	59.2	46.4	1.3
2	880	3	16.1	20	L	11.9	19.5	37.6	86.5	85.5	85.9	83.3	57.5	49.1	37.7	1.9
3	3530	3.1	20.6	25.6	K	4.5	8	13.9	89.5	88.5	91.2	90.7	82	76.4	65.1	1
3	1760	3.3	23.4	25.6	K	8.9	23.1	30.2	89.5	88.5	89.7	88.7	75.5	68.3	55.8	1.5
3	1175	3.4	23.7	25.6	K	13.4	26.1	41	89.5	88.5	89.5	88.3	73	66.1	53.9	1.7
3	875	4.3	22.7	25.6	K	18	30	52.2	86.5	85.5	86.5	84.7	60	52.3	40.5	2.5
5	3535	4.9	35.3	36.8	J	7.4	15	24	90.2	89.5	91	90	84	79.6	69.6	1.5
5	1755	5.3	34.3	36.8	J	15	34.9	43.9	89.5	88.5	90.9	90.5	79	73.9	63	2
5	1170	5.5	35	36.8	J	22.4	40.7	60.4	89.5	88.5	90.5	90.2	76.5	70.9	59.7	2.2
5	880	6.2	33.6	36.8	J	29.7	50.9	85.1	89.5	88.5	89.6	88.2	68	60.1	47.6	3.3
7.5	3535	6.7	48.6	50.8	H	11.1	24.3	30.7	91	90.2	91.9	91.3	91.5	89.9	85.4	1.4
7.5	1770	7.3	47.5	50.8	H	22.3	41.5	58.1	91.7	91	92.2	91.8	84	80.9	73	2.2
7.5	1175	7.7	48.5	50.8	H	33.5	65.3	91.9	91.7	91	92.4	91.8	79.5	74.5	63.9	2.9
7.5	880	9	48.5	50.8	H	44.7	77.7	122.4	89.5	88.5	90.1	89.2	69.5	62.1	49.5	4.6
10	3525	9	61.2	64.8	H	14.9	31.2	38.9	91	90.2	92.1	91.9	91	90	85.7	1.8
10	1765	9.7	62	64.8	H	29.8	55.7	75.8	91.7	91	92.4	92.3	84	81.1	73.3	2.9
10	1170	10.2	59.5	64.8	H	44.8	81.5	113.7	91	90.2	92	91.8	81	76.1	66	3.7
10	885	10.8	59.9	64.8	H	59.5	83.8	136.2	89.5	88.5	91.1	91.1	77.5	72.6	62.3	4
15	3550	13.7	88.1	92.8	G	22.2	42.9	52.8	91.7	91	92.3	92.1	89.5	88.7	84.5	2.8
15	1770	14.2	89.1	92.8	G	44.5	98.6	115.4	92.4	91.7	93.1	93	85.5	82.2	73.7	4.4
15	1185	15.3	86.3	92.8	G	66.6	96.5	162	91.7	91	92.9	92.5	80	75.2	64.9	5.7
15	880	16.1	89.2	92.8	G	89.5	133.2	207	89.5	88.5	91	91.4	78	73.9	64	5.7
20	3550	17.7	118.2	116	G	29.6	70.6	65.7	92.4	91.7	93.3	93.4	91.5	91.6	89.7	2.5
20	1770	18.3	112.2	116	G	59.3	133	142.5	93	92.4	93.8	94	88	85.8	79.4	4.6
20	1180	20	108.6	116	G	88.9	125.6	203	91.7	91	92.9	92.8	81.5	77.3	67.8	6.9
20	875	23.7	106.1	116	G	119.8	177.3	255.8	91	90.2	91.9	91.4	69.5	63.1	51.3	11.2

2.28

X\$D Ultra® 841

X\$D Ultra® 841
TEFC—Extra Severe Duty

Typical Performance Data (cont.)



Volts: 575
HP: 1 – 250

HP	FL RPM	NP FLA	Design LRA	NEMA B LRA	Code KVA/HP	FLT (lb-ft)	LRT (lb-ft)	BDT (lb-ft)	NP Eff. Full Load	Guar. Eff. Full Load	75% Load Eff.	50% Load Eff.	NP PF Full Load	75% Load Power Factor	50% Load Power Factor	Max. KVAR
25	3550	21.8	144.4	146	G	36.9	95.9	93.7	93	92.4	93.3	92.9	92.5	91.7	88.4	3.8
25	1775	23.3	140.9	146	G	73.9	123.7	182.4	93.6	93	94.1	94	86	82.7	74.5	7
25	1180	25.6	138.5	146	G	111.4	204.6	257.6	93	92.4	93.4	93	78.5	73.7	63.4	9.7
25	875	30.3	156.2	146	G	149.6	292.7	376.6	91	90.2	91.7	90.9	68	60.9	48.7	15.3
30	3550	26	173	174	G	44.4	122.4	111	93	92.4	93.6	93.4	93	92.3	89.4	4.2
30	1775	27.7	165.4	174	G	88.7	147.5	211	93.6	93	94.2	94.2	86.5	83.7	76.2	7.9
30	1175	30.4	159.3	174	G	133.8	240.9	295.5	93	92.4	93.6	93.4	79.5	75.2	65.5	10.8
30	890	33.3	150.1	174	G	177.2	242.5	386.6	92.4	91.7	94.1	93.5	73	67.2	55.8	14.4
40	3570	37.4	214.7	232	G	58.8	88.2	143.6	94.1	93.6	94	92.9	85	81.5	73.3	11.8
40	1780	38.4	208.1	232	G	118	198.9	279.7	94.5	94.1	94.9	94.5	82.5	78.1	68.5	13.4
40	1185	39.1	211.7	232	G	176.9	264.7	426.8	94.1	93.6	94.8	94.4	81.5	76.7	66.7	14.1
40	890	44.4	209.6	232	G	236.2	348.6	540.4	93	92.4	94.3	93.7	72.5	66.3	54.6	19.9
50	3565	45.5	252.5	290	G	73.6	113.7	166.6	94.5	94.1	94.4	93.7	87	84.9	78.4	12
50	1780	48.3	260.4	290	G	147.6	255.7	350.6	94.5	94.1	95	94.7	82	77.7	67.9	17.1
50	1185	49.1	263	290	G	221.2	335.9	530.9	94.1	93.6	94.9	94.6	81	76.6	66.5	17.6
50	885	52.6	261.1	290	G	297.3	434.6	738.9	93	92.4	94.4	94	76.5	70.6	59.1	22
60	3570	55.3	334	348	G	88.2	130.6	225.5	95	94.5	95	94.1	85.5	81.7	73.1	17.8
60	1780	56	323	348	G	176.8	285.8	432.7	95	94.5	95.3	95.1	84.5	80.9	72	18
60	1190	57.3	321.2	348	G	264.2	380.3	613.9	95	94.5	95.3	94.8	82.5	78.5	69.3	19.4
60	880	62.7	312.1	348	G	357	530.8	885	93	92.4	94.6	94.4	77	71.4	60.1	25.5
75	3570	66.5	399.8	434	G	110.3	178.7	267.1	95.4	95	95.6	95	88.5	86.5	80.3	16.7
75	1785	68.9	417.9	434	G	220.9	396.1	558.1	95.4	95	95.7	95.6	85.5	82.2	73.8	21
75	1190	71.7	406.5	434	G	330.3	494.3	776.1	95	94.5	95.5	95.1	82.5	78.7	69.5	24
75	890	74.7	384.4	434	G	442.2	613.4	1016.3	94.5	94.1	95.3	94.8	79.5	75.1	65.3	27
100	3570	86.3	564.3	580	G	147.1	250.1	383.3	95.4	95	95.8	95.6	91	90.1	86	16.8
100	1785	94.2	478	580	G	293.9	433.9	679	95.8	95.4	96.1	95.8	83	79	69.8	31.9
100	1195	92.9	565	580	G	440.1	617.6	1102.3	95.4	95	95.5	94.9	84.5	81.2	72.8	28.8
100	890	99.7	499.7	580	G	590.2	820.3	1329.6	94.5	94.1	95.4	95.1	79.5	75.7	66.2	34.9
125	3580	111	676.1	726	G	183.3	226.6	478.8	95.4	95	95.7	95.2	88	85.7	79	29.6
125	1785	112	672.6	726	G	367.8	663.6	949.2	95.8	95.4	96	95.6	87	84	76.3	32.5
125	1190	118	676	726	G	550.7	981.2	1286.7	95.4	95	95.5	95.1	83	79.2	70.3	39
125	890	124	662.2	726	G	737.7	1135.7	1795.5	95	94.5	95.4	95.2	79.5	75.7	66	43.9

2.29
X\$D Ultra® 841

X\$D Ultra® 841
TEFC—Extra Severe Duty

Typical Performance Data (cont.)



Volts: 575
HP: 1 – 250

HP	FL RPM	NP FLA	Design LRA	NEMA B LRA	Code KVA/HP	FLT (lb-ft)	LRT (lb-ft)	BDT (lb-ft)	NP Eff. Full Load	Guar. Eff. Full Load	75% Load Eff.	50% Load Eff.	NP PF Full Load	75% Load Power Factor	50% Load Power Factor	Max. KVAR
150	3580	130	822.5	868	G	220	313.8	576.5	95.8	95.4	96.1	95.8	90	88.6	83.4	29.2
150	1790	133	825	868	G	439.7	537	1139.1	96.2	95.8	96.5	96.2	88	85.4	78.4	35.7
150	1190	137	820.5	868	G	660.4	1003.6	1746.2	95.8	95.4	95.9	95.6	85.5	83	75.5	38.8
150	890	147	774.4	868	G	885.3	1338.2	2067.1	95	94.5	95.7	95.6	80.5	77.2	68.2	48.5
200	3580	169	1095.4	1160	G	293.3	498.2	826	95.8	95.4	95.8	95.4	92.5	92	89.1	27.5
200	1790	174	1049.8	1160	G	586.2	730.9	1471.2	96.5	96.2	96.7	96.6	89	87.3	81.6	40.9
200	1190	182	1056	1160	G	881.1	1322.1	2250.1	95.8	95.4	96	95.9	86	83.6	76.6	49.4
250	3580	211	1374.4	1460	G	366.7	612.2	1027.2	95.8	95.4	96	95.8	92.5	91.7	88.6	36
250	1790	218	1226.7	1460	G	733	869.7	1729.1	96.5	96.2	96.9	96.8	89	87.8	82.9	47.4

2.30

X\$D Ultra® 841

X\$D Ultra® 841
TEFC—Extra Severe Duty

Dimensions



Dimensions refer to drawing on following page
Cast Iron Construction/Frames 140-449, Type KS, 3-Phase/Dimensions—For estimating only

Frame	Approx. Net Weight in lbs	Dimensions in Inches																						
		Shaft						Mounting ⁽¹⁸⁾								A	B	C	D ⁽³⁾	G	J	K	L	O
		Key			N-W	U ⁽¹⁾	V	E	H	BA	BS	2F ⁽²⁰⁾	2XF											
		Width	Depth	Length																				
143T	43	0.187	0.187	1.380	2.25	0.874	2.12	2.75	0.39	2.25	2.25	5.00	4.00	6.88	5.88	13.42	3.50	0.40	1.39	2.32	6.42	7.25		
145T	50	0.187	0.187	1.380	2.25	0.874	2.12	2.75	0.39	2.25	2.25	5.00	4.00	6.88	5.88	13.42	3.50	0.40	1.39	2.32	6.42	7.25		
182T	76	0.250	0.250	1.750	2.75	1.125	2.50	3.75	0.46	2.75	2.75	5.50	4.50	8.68	6.64	15.91	4.50	0.46	1.54	2.58	7.66	9.25		
184T	101	0.250	0.250	1.750	2.75	1.125	2.50	3.75	0.46	2.75	2.75	5.50	4.50	8.68	6.64	15.91	4.50	0.46	1.54	2.58	7.66	9.25		
213T	200	0.312	0.312	2.380	3.38	1.375	3.12	4.25	0.46	3.50	3.50	7.00	5.50	9.60	8.00	20.15	5.25	0.57	1.47	3.12	9.77	10.43		
215T	220	0.312	0.312	2.380	3.38	1.375	3.12	4.25	0.46	3.50	3.50	7.00	5.50	9.60	8.00	20.15	5.25	0.57	1.47	3.12	9.77	10.43		
254T	315	0.375	0.375	2.380	4.00	1.625	3.76	5.00	0.58	4.25	5.00	10.00	8.25	11.20	11.30	25.29	6.25	0.65	1.52	3.93	12.34	12.50		
256T	350	0.375	0.375	2.880	4.00	1.625	3.76	5.00	0.58	4.25	5.00	10.00	8.25	11.20	11.30	25.29	6.25	0.65	1.52	3.93	12.34	12.50		
284TS	460	0.375	0.375	1.880	3.25	1.625	3.00	5.50	0.58	4.76	5.50	11.00	9.50	12.40	12.80	27.20	7.00	0.76	1.75	4.12	13.70	13.88		
284T	460	0.500	0.500	3.250	4.62	1.875	4.38	5.50	0.58	4.76	5.50	11.00	9.50	12.40	12.80	28.58	7.00	0.76	1.75	4.12	13.70	13.88		
286TS	510	3.750	3.750	1.880	3.25	1.625	3.00	5.50	0.58	4.76	5.50	11.00	9.50	12.40	12.80	27.20	7.00	0.76	1.75	4.12	13.70	13.88		
286T	510	0.500	0.500	3.250	4.62	1.875	4.38	5.50	0.58	4.76	5.50	11.00	9.50	12.40	12.80	28.58	7.00	0.76	1.75	4.12	13.70	13.88		
324TS	664	0.500	0.500	2.000	3.75	1.875	3.50	6.25	0.67	5.25	6.00	-	10.50	14.40	13.80	29.04	8.00	0.99	2.01	3.62	15.54	17.07		
324T	664	0.500	0.500	3.880	5.25	2.125	5.00	6.25	0.67	5.25	6.00	-	10.50	14.40	13.80	30.54	8.00	0.99	2.01	3.62	15.54	17.07		
326TS	800	0.500	0.500	2.000	3.75	1.875	3.50	6.25	0.67	5.25	6.00	12.00	10.50	14.40	13.80	30.54	8.00	0.99	2.01	3.62	15.54	17.07		
326T	800	0.500	0.500	3.880	5.25	2.125	5.00	6.25	0.67	5.25	6.00	12.00	10.50	14.40	13.80	32.04	8.00	0.99	2.01	3.62	15.54	17.07		
364TS	1122	0.500	0.500	2.000	3.75	1.875	3.50	7.00	0.69	5.88	6.13	12.25	11.25	16.00	14.40	32.76	9.00	1.09	2.26	3.40	17.00	19.02		
364T	1122	0.625	0.625	4.250	5.88	2.375	5.64	7.00	0.69	5.88	6.13	12.25	11.25	16.00	14.40	43.89	9.00	1.09	2.26	3.40	17.00	19.02		
365TS	1155	0.500	0.500	2.000	3.75	1.875	3.50	7.00	0.69	5.88	6.13	12.25	11.25	16.00	14.40	32.76	9.00	1.09	2.26	3.40	17.00	19.02		
365T	1155	0.625	0.625	4.250	5.88	2.375	5.64	7.00	0.69	5.88	6.13	12.25	11.25	16.00	14.40	43.89	9.00	1.09	2.26	3.40	17.00	19.02		
404TS	1580	0.500	0.500	2.750	4.25	2.125	4.00	8.00	0.81	6.62	6.88	13.75	12.25	18.00	16.00	36.76	10.00	1.29	2.64	4.00	19.02	21.18		
404T	1580	0.750	0.750	5.625	7.25	2.875	7.00	8.00	0.81	6.62	6.88	13.75	12.25	18.00	16.00	39.77	10.00	1.29	2.64	4.00	19.02	21.18		
405TS	1600	0.500	0.500	2.750	4.25	2.125	4.00	8.00	0.81	6.62	6.88	13.75	12.25	18.00	16.00	36.76	10.00	1.29	2.64	4.00	19.02	21.18		
405T	1600	0.750	0.750	5.625	7.25	2.875	7.00	8.00	0.81	6.62	6.88	13.75	12.25	18.00	16.00	39.77	10.00	1.29	2.64	4.00	19.02	21.18		
444TS	2100	0.625	0.625	3.000	4.75	2.375	4.50	9.00	0.81	7.50	8.25	16.50	14.50	20.00	18.80	41.87	11.00	1.49	2.64	4.97	21.37	23.94		
444T	2100	0.875	0.875	6.875	8.50	3.375	8.25	9.00	0.81	7.50	8.25	16.50	14.50	20.00	18.80	45.62	11.00	1.49	2.64	4.97	21.37	23.94		
445TS	2260	0.625	0.625	3.000	4.75	2.375	4.50	9.00	0.81	7.50	8.25	16.50	14.50	20.00	18.80	41.87	11.00	1.49	2.64	4.97	21.37	23.94		
445T	2260	0.875	0.875	6.875	8.50	3.375	8.25	9.00	0.81	7.50	8.25	16.50	14.50	20.00	18.80	45.62	11.00	1.49	2.64	4.97	21.37	23.94		
447TS	2610	0.625	0.625	3.000	4.75	2.375	4.50	9.00	0.81	7.50	12.50	25.00	20.00	20.00	27.30	50.37	11.00	1.49	2.64	8.81	25.62	23.94		
447T	2610	0.875	0.875	6.875	8.50	3.375	8.25	9.00	0.81	7.50	12.50	25.00	20.00	20.00	27.30	54.12	11.00	1.49	2.64	8.81	25.62	23.94		
449TS ⁽¹⁹⁾	3010	0.625	0.625	3.000	4.75	2.375	4.50	9.00	0.81	7.50	12.50	25.00	20.00	20.00	27.30	50.37	11.00	1.49	2.64	8.81	25.62	23.94		
449T	3010	0.875	0.875	6.875	8.50	3.375	8.25	9.00	0.81	7.50	12.50	25.00	20.00	20.00	27.30	54.12	11.00	1.49	2.64	8.81	25.62	23.94		

Notes:

- 1 Shaft diameters 1 1/2 inches and smaller will come within the limits of +0.000 inch, -0.0005 inch diameters 1 5/8 inches and larger +0.000 inch, -0.001 inch
- 3 Tolerance on "D" dimension for rigid base motors will be +0.000 inch, -0.060 inch. No tolerance has been est. for the "D" dimension of resilient mounted motors.
- 18 Motor feet have 2 holes per foot allowing NEMA F-1 or F-2 assembly while maintaining critical NEMA mounting dimensions
- 19 Cast iron motors in 449 frame also have mounting holes meeting 447 frame dimensions
- 20 324 Frame motors have mounting holes for the 324 frame size only

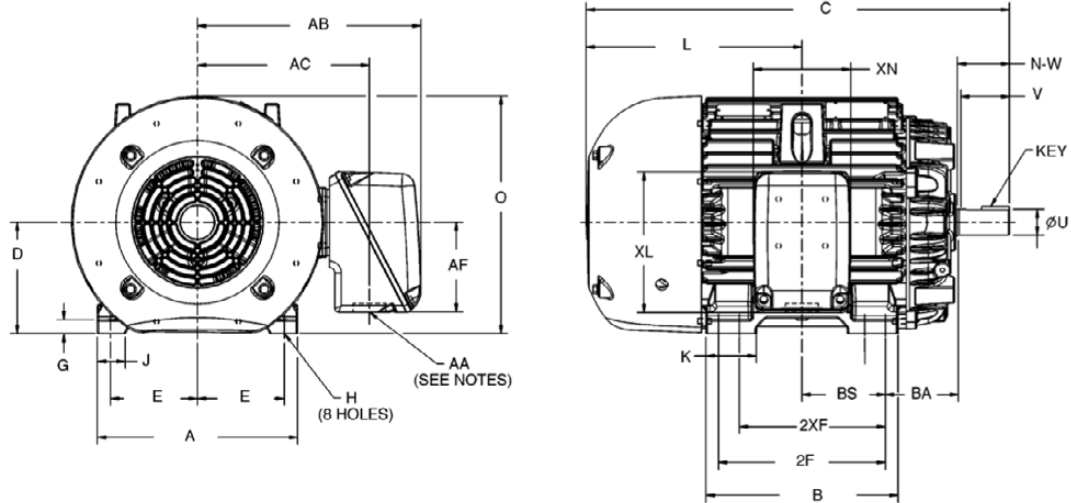
X\$D Ultra® 841
TEFC—Extra Severe Duty

Dimensions



Frame dimensions on previous page

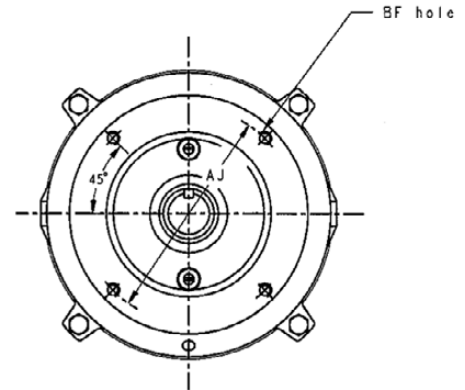
Cast Iron Construction/Frames 140-449, Type KS, 3-Phase/Dimensions—For estimating only



Conduit Box Dimensions

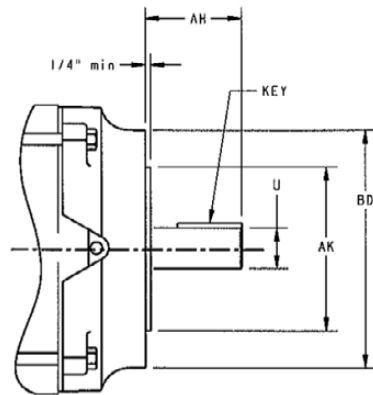
Frame	Nominal HP	Approx. Vol.	Dimensions in Inches					
			AA*	AB	AC	AF	XL	XN
143-145	2	32	0.75	6.62	5.12	2.50	4.30	5.40
182-184	5	32	0.75	7.82	6.32	2.50	4.30	5.40
213-215	10	55	1.00	9.50	7.42	3.50	5.78	4.16
254-256	20	140	1.25	11.68	9.12	4.59	7.37	5.37
284-286	30	140	1.50	12.44	9.88	4.59	7.37	5.37
324-326	50	346	3.00	16.13	12.43	6.44	10.14	7.00
364-365	75	346	3.00	17.07	13.37	6.44	10.14	7.00
404-405	125	700	3.00	20.48	16.22	7.00	12.13	10.50
444-449	200	700	3.00	22.00	17.74	7.00	12.13	10.50
444-449	250	1260	2X 4.00	22.56	17.80	7.00	12.40	16.25

* A tapped NPT hole is provided for the conduit size listed in Column AA



C-Face Dimensions

NEMA Frame	Dimensions in inches						
	AH	AJ	AK	U	Key Width	Key Thickness	Key Length
143TC-145TC	2.12	5.88	4.50	0.88	0.19	0.19	1.38
182TC-184TC	2.62	7.25	8.50	1.13	0.25	0.25	1.75
213TC-215TC	3.12	7.25	8.50	1.38	0.31	0.31	2.38
254TC-256TC	3.75	7.25	8.50	1.63	0.38	0.38	2.88
284TC-286TC	4.38	9.00	10.50	1.88	0.50	0.50	3.25



X\$D Ultra® 661
TEFC—Extra Severe Duty (IP-56)
Heat Exchanger

Standard Features



HP Range	5-75
Poles	4 pole
Voltage	460
Agency Approvals	UL - Component and Insulation System Recognition, CSA - Motors and C-390 (CE and ATEX Zone 2 by custom order)
Altitude	3300 ft
Ambient	40°C
Balance/Vibration	1940 ISO Grade 1.0, Roller Bearings: 4P: 0.0004 in (P-P)
Bearing Caps	Cast iron and gasketed on both ends
Bearing Housing Rise	4 pole: 45°C
Bearing Protection	Complete motor IP56 (exceeds API 661 requirement of IP55), Inpro Seal both ends
Bearing Type	Roller Bearing on DE only. Ball bearing on ODE
Conduit Box	Gasketed and rotatable in 90 degree increments, Cast iron
Div 2 Temp Codes	Motors have an Auto Ignition Temperature of 200 degree C stamped on the nameplate. A Division 2 Nameplate can be provided (see kit section).
Drains	Stainless Steel T-drains in lowest section of both endshields
Efficiency	Meets or exceeds NEMA Premium nominal. Exceeds all NEMA Premium minimum efficiencies.
End Shield	Cast Iron
Fan	Non-Sparking Plastic
Fan Cover	Cast Iron
Fasteners	SAE, Grade 5
Foot Draft Angle	+/- 1.5 degrees
Foot Flatness	0.005 inches
Frame Material	Cast Iron
Frame Size	184-365
Frequency	60 Hz
Grease	Polyurea
Ground	Ground Lug in Conduit Box and Frame Ground
Industry Specifications	Meets IEEE 45 Marine Duty, Meets GM 7E-TA Automotive Duty, Exceeds API 661 specification
Insulation Class	Class H
Insulation System	GEGARD2400™ 143-449 frames. Non-Hygroscopic, Anti-Fungus, 2400Volt @ .1microsecond rise time. Exceeds NEMA MG1-31
Inverter Capabilities	Variable Torque inf:1
L10 Bearing Life	Belted: 40,000 hrs
Lifting Means	4 Lugs cast into frame
Mounting	Stocked as W8 (shaft up) and field modified to W6 (shaft down)
Mounting Holes	1 per foot (324 frame), 2 per foot (all other frames)
Nameplate	Stainless Steel Includes Weight, 3/4 Load Efficiency, Vibration Limit
NEMA Design	B
Oil Mist Lube	Includes provisions for conversion to Oil Mist Lubrication
Paint	Buff, Epoxy ester
Relubrication	Both ends, extended through the fan cover
Rotor	Cast Aluminum
Service Factor	1.15
Shaft TIR	Meets IEEE 841, .001 in for shaft diameter 1.625 in and smaller, .0015 in for shaft diameter greater than 1.625 in.
Special Painting	Meets IEEE 841
Temperature	Rise 80°C @ 1.0 SF
Tests	NEMA Routine Report including Vibration supplied with motor, IEEE 112 Method B
Time Rating	Continuous
Vibration Pads	Cast in vibration pads for repeatable measurements
Warranty	60 months from date of installation or 66 months from date of manufacture, whichever occurs first

X\$D Ultra® 661
TEFC—Extra Severe Duty (IP-56)
Heat Exchanger



Pricing

Volts: 460
HP: 5 - 75

HP	RPM	Volts	Frame	FLA	Nom. Eff.	Guar. Min. Eff.	Cat. No.	List Price	Price Symbol	Norm. Stk.	Wt. (lbs)	C Dim. (in)	C-Face Kit	Notes
5	1800	460	184T	6.60	89.5	88.5	M6621	\$1,973	G4-7UXHE	Y	101	15.90	PB14A	117
7.5	1800	460	213T	9.10	91.7	91.0	M6622	\$2,565	G4-7UXHE	Y	200	20.10	PB21A	
10	1800	460	215T	12.0	91.7	91.0	M6623	\$2,684	G4-7UXHE	Y	220	20.10	PB21A	
15	1800	460	254T	18.0	92.4	91.7	M6624	\$3,183	G4-7UXHE	Y	315	25.60	PB25A	
20	1800	460	256T	23.3	93.0	92.4	M6625	\$3,659	G4-7UXHE	Y	350	25.60	PB25A	
25	1800	460	284T	29.8	93.6	93.0	M6626	\$4,263	G4-7UXHE	Y	460	28.58	PB28A	
30	1800	460	286T	35.5	93.6	93.0	M6627	\$4,875	G4-7UXHE	Y	510	28.58	PB28A	
40	1800	460	324T	50.8	94.5	94.1	M6628	\$6,698	G4-7UXHE	Y	689	30.54	A761	
50	1800	460	326T	63.9	94.5	94.1	M6629	\$7,544	G4-7UXHE	Y	740	32.04	A761	
60	1800	460	364T	71.2	95.0	94.5	M6630	\$11,334	G4-7UXHE	N	1020	34.89	A763	118
60	1800	460	364T	71.2	95.0	94.5	M6631	\$11,334	G4-7UXHE	N	1020	34.89	A763	119
75	1800	460	365T	86.6	95.4	95.0	M6632	\$13,169	G4-7UXHE	N	1090	34.89	A763	118
75	1800	460	365T	86.6	95.4	95.0	M6633	\$13,169	G4-7UXHE	N	1090	34.89	A763	119

Notes:

- 117 Ball bearing
- 118 W6 (shaft down) is standard mount and not field modifiable to W8 (shaft up)
- 119 W8 (shaft up) is standard mount and not field modifiable to W6 (shaft down)

Drip Cover Kits

Cat. No.	Part No.	Frame	List Price	Price Symbol	Norm. Stk.
A1202	249A4267AD-G02	180	\$165	G4-7KITS	Y
A1203	249A4267AD-G03	210	\$188	G4-7KITS	Y
A1204	249A4267AD-G04	250	\$204	G4-7KITS	Y
A1205	249A4267AD-G05	280	\$233	G4-7KITS	Y
A1206	249A4267AD-G06	320	\$260	G4-7KITS	Y

X\$D Ultra® 661
TEFC—Extra Severe Duty (IP-56)
Heat Exchanger

Typical Performance Data

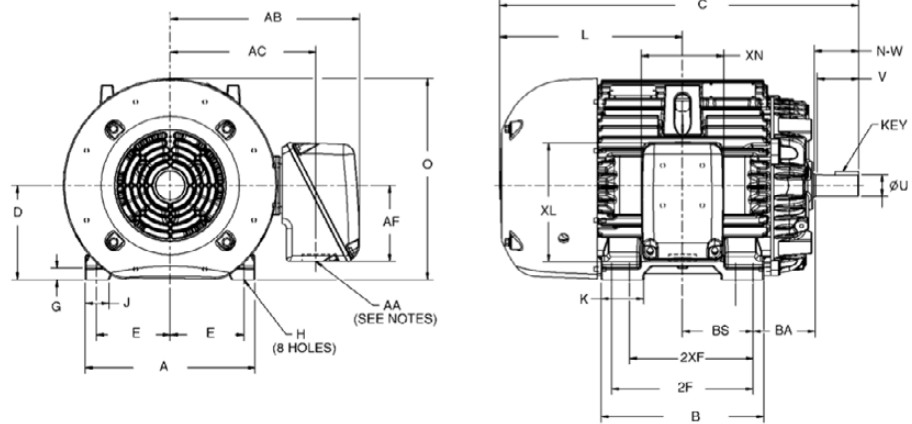


Volts: 460
HP: 5 – 75

HP	FL RPM	NP FLA	Design LRA	NEMA B LRA	Code KVA/HP	FLT (lb-ft)	LRT (lb-ft)	BDT (lb-ft)	NP Eff. Full Load	Guar. Eff. Full Load	75% Load Eff.	50% Load Eff.	NP PF Full Load	75% Load Power Factor	50% Load Power Factor	Max KVAR
5	1755	6.6	42.9	46	J	15	35	44	89.5	88.5	90.9	90.5	79	73.9	63	2
7.5	1770	9.2	60.4	63.5	H	22.3	42.3	59	91.7	91	92.3	91.8	83.5	80.6	72.5	2.2
10	1765	12.2	77.2	81	H	29.8	55.6	75.6	91.7	91	92.4	92.3	84	81.1	73.4	2.9
15	1770	17.8	110.5	116	G	44.5	97.3	114.6	92.4	91.7	93.1	93	85.5	82.3	73.8	4.4
20	1770	22.9	140.6	145	G	59.3	133.4	142.9	93	92.4	93.8	94	88	85.7	79.3	4.6
25	1775	29.1	174.8	182.5	G	73.9	122.9	181.4	93.6	93	94.1	94	86	82.8	74.7	7
30	1775	34.7	206.4	217.5	G	88.7	147.3	210.7	93.6	93	94.1	94.2	86.5	83.7	76.2	7.9
40	1785	49.8	268	290	G	117.8	198.1	272.3	94.5	94.1	94.8	94.3	79.5	74.7	64.1	15.3
50	1785	60.4	335.7	362.5	G	147.2	262.1	338.1	95	94.5	95.3	94.9	81.5	77.2	67.5	17.1
60	1785	70	415.7	435	G	176.5	268.6	445.6	95	94.5	95.5	95.2	84.5	80.8	71.9	18
75	1785	86.1	518.9	542.5	G	220.7	353.7	554.9	95.4	95	95.8	95.6	85.5	82.4	74.2	20.7

X\$D Ultra® 661
TEFC—Extra Severe Duty (IP-56)
Heat Exchanger

Dimensions



Cast Iron Construction/Frames 184-365, Type KS, 3-Phase/Dimensions – For Estimating Only.

Frame	Approx. Net Weight in lbs	Dimensions in Inches																							
		Shaft					Mounting ⁽¹⁸⁾										A	B	C	D ⁽³⁾	G	J	K	L	O
		Key			N-W	U ⁽¹⁾	V	E	H	BA	BS	2F ⁽²⁰⁾	2XF												
Width	Depth	Length																							
184T	101	0.25	0.25	1.75	2.75	1.125	2.50	3.75	0.46	2.75	2.75	5.50	4.50	8.68	6.64	15.91	4.50	0.46	1.54	2.58	7.66	9.25			
213T	200	0.31	0.31	2.38	3.38	1.375	3.12	4.25	0.46	3.50	3.50	7.00	5.50	9.60	8.00	20.15	5.25	0.57	1.47	3.12	9.77	10.43			
215T	220	0.31	0.31	2.38	3.38	1.375	3.12	4.25	0.46	3.50	3.50	7.00	5.50	9.60	8.00	20.15	5.25	0.57	1.47	3.12	9.77	10.43			
254T	315	0.38	0.38	2.38	4.00	1.625	3.76	5.00	0.58	4.25	5.00	10.00	8.25	11.20	11.30	25.29	6.25	0.65	1.52	3.93	12.34	12.50			
256T	350	0.38	0.38	2.88	4.00	1.625	3.76	5.00	0.58	4.25	5.00	10.00	8.25	11.20	11.30	25.29	6.25	0.65	1.52	3.93	12.34	12.50			
284T	460	0.50	0.50	3.25	4.62	1.875	4.38	5.50	0.58	4.76	5.50	11.00	9.50	12.40	12.80	28.58	7.00	0.76	1.75	4.12	13.70	13.88			
286T	510	0.50	0.50	3.25	4.62	1.875	4.38	5.50	0.58	4.76	5.50	11.00	9.50	12.40	12.80	28.58	7.00	0.76	1.75	4.12	13.70	13.88			
324T	664	0.50	0.50	3.88	5.25	2.125	5.00	6.25	0.67	5.25	6.00	10.50	14.40	13.80	30.54	8.00	0.99	2.01	3.62	15.54	17.07	17.07			
326T	800	0.50	0.50	3.88	5.25	2.125	5.00	6.25	0.67	5.25	6.00	12.00	10.50	14.40	13.80	32.04	8.00	0.99	2.01	3.62	15.54	17.07			
364T	1122	0.63	0.63	4.25	5.88	2.375	5.64	7.00	0.69	5.88	6.13	12.25	11.25	16.00	14.40	43.89	9.00	1.09	2.26	3.40	17.00	19.02			
365T	1155	0.63	0.63	4.25	5.88	2.375	5.64	7.00	0.69	5.88	6.13	12.25	11.25	16.00	14.40	43.89	9.00	1.09	2.26	3.40	17.00	19.02			

Notes:

- 1 Shaft diameters 1 1/2 inches and smaller will come within the limits of +0.000 inch, -0.0005 inch diameters 1 5/8 inches and larger +0.000 inch, -0.001 inch Tolerance on "D" dimension for rigid base motors will be +0.000 inch, -0.060 inch. No tolerance has been established for the "D" dimension of resilient mounted motors.
- 3 Motor feet have 2 holes per foot allowing NEMA F-1 or F-2 assembly while maintaining critical NEMA mounting dimensions. Providing mounting conditions permit, conduit box may be turned so that entrance can be made upward, downward, or from either side.
- 18 Weights shown are approximate shipping weights and should be used for estimating only.
- 20 324 Frame motors have mounting holes for the 324 frame size only

Conduit Box Dimensions

Frame	Nominal HP	Approx. Vol.	Dimensions in Inches					
			AA*	AB	AC	AF	XL	XN
182-184	5	32	0.75	7.82	6.32	2.5	4.3	5.4
213-215	10	55	1	9.5	7.42	3.5	5.78	4.16
254-256	20	140	1.25	11.68	9.12	4.59	7.37	5.37
284-286	30	140	1.5	12.44	9.88	4.59	7.37	5.37
324-326	50	346	3	16.13	12.43	6.44	10.14	7
364-365	75	346	3	17.07	13.37	6.44	10.14	7

* A tapped NPT hole is provided for the conduit size listed in Column AA

X\$D Ultra® Family*Kits and Accessories***C-Face Kits - X\$D Ultra**

Cat. No.	Part No.	Frame	List Price	Price Symbol	Norm. Stk.
PB14A	4001A5202AA-G01	143T - 145T	\$108	G4-7KITS	Y
PB18A	4001A5202AA-G02	182T - 184T	\$147	G4-7KITS	Y
PB21A	4001A5202AA-G03	213T - 215T	\$188	G4-7KITS	Y
PB25A	4001A5202AA-G04	254T - 256T	\$254	G4-7KITS	Y
PB28A	4001A5202AA-G05	284T - 286T, 284TS-286TS	\$336	G4-7KITS	Y
A761	249A4321AMG01	324T - 326T	\$392	G4-7KITS	Y
A762	249A4321AMG02	324TS - 326TS	\$392	G4-7KITS	Y
A763	249A4321AMG03	364T - 365T	\$842	G4-7KITS	Y
A764	249A4321AMG04	364TS - 365TS	\$842	G4-7KITS	Y
A765	249A4321AMG05	404T - 405T	\$885	G4-7KITS	Y
A766	249A4321AMG06	404TS - 405TS	\$885	G4-7KITS	Y
A767	249A4321AMG07	444T - 449T	\$2,112	G4-7KITS	Y
A768	249A4321AMG08	444TS - 449TS	\$2,112	G4-7KITS	Y

Notes:

143-256 frame will not meet NEMA BA dimension using C-Face kit
X\$D Ultra C-Face kits will not have endshield machined for Inpro/Seal®

D Flange Kits - X\$D Ultra

Cat. No.	Part No.	Frame	List Price	Price Symbol	Norm. Stk.
A991	249A4321ARG01	324T-326T	\$912	G4-7KITS	Y
A992	249A4321ARG02	324TS-326TS	\$912	G4-7KITS	Y
A995	249A4321ARG05	404T-405T	\$2,100	G4-7KITS	N
A996	249A4321ARG06	404TS-405TS	\$2,100	G4-7KITS	Y
A997	249A4321ARG07	444T-449T	\$2,186	G4-7KITS	Y
A998	249A4321ARG08	444TS-449TS	\$2,519	G4-7KITS	N

Notes:

X\$D Ultra D-Flange kits will not have end shield machined for Inpro/Seal®
364-365 frame D flange motors are available by custom order

Division 2 Nameplate—X\$D Ultra, Ultra 841, Ultra 661

A standard auxiliary tag is provided on the motor which states: "Maximum exposed internal and external surface temperatures shall not exceed 200 Degree C under usual service conditions (sine wave power) at 1.0 SF." If required, a UL Div 2 nameplate may be ordered as a custom feature. The new nameplate will exclude the motor capability on a variable frequency drive unless supplied for technical review. Net price for custom motors is \$200 per motor. Price for installing nameplate on stock motor through the FastTrack Motor Modification Shop is on page 9.2 of this catalog.

Drip Cover Kits - X\$D Ultra, Ultra 841, Ultra 661

Cat. No.	Part No.	Frame	List Price	Price Symbol	Norm. Stk.
A1201	249A4267AD-G01	140	\$158	G4-7KITS	Y
A1202	249A4267AD-G02	180	\$165	G4-7KITS	Y
A1203	249A4267AD-G03	210	\$188	G4-7KITS	Y
A1204	249A4267AD-G04	250	\$204	G4-7KITS	Y
A1205	249A4267AD-G05	280	\$233	G4-7KITS	Y
A1206	249A4267AD-G06	320	\$260	G4-7KITS	Y

Notes:

364-449 frame motors available for vertical mounting by custom order

X\$D Ultra® Family

Kits and Accessories (cont.)

Ground Terminal Post - X\$D Ultra and 500 Frames

The Ground Terminal Post replaces a bolt on the drive-end endshield allowing for an external frame ground

Cat. No.	Part No.	Frame	List Price	Price Symbol	Norm. Stk.
A340	4001A5921CYG006	140	\$102	G4-7KITS	N
A341	4001A5921CYG001	180-250	\$102	G4-7KITS	N
A342	4001A5921CYG002	280	\$102	G4-7KITS	N
A343	249A4234AA-G20	320	\$102	G4-7KITS	N
A344	249A4234AA-G03	364-405	\$102	G4-7KITS	N
A345	249A4234AA-G21	444-449	\$102	G4-7KITS	N
A346	249A4234AA-G07	500	\$102	G4-7KITS	N

Notes:

X\$D Ultra 841 and Ultra 661 motors have the ground terminal post standard

Low Profile Inpro/Seal® Kits - X\$D Ultra

Cat. No.	Part No.	Frame	List Price	Price Symbol	Norm. Stk.
A1001	4002B5914AN1	140T - 145T	\$218	G4-7KITS	N
A1002	4002B5914AN2	182T - 184T	\$218	G4-7KITS	Y
A1003	4002B5914AN3	213T-215T	\$237	G4-7KITS	Y
A1004	4002B5914AN4	254T-256T	\$285	G4-7KITS	Y
A1005	4002B5914AN5	284T-286T, 284TS-286TS	\$369	G4-7KITS	Y
A826	235A4575GE1	324T-326T	\$504	G4-7KITS	N
A1007	235A4575GS1	324TS-326TS	\$504	G4-7KITS	Y
A828	235A4575GE3	364T-365T	\$588	G4-7KITS	N
A829	235A4575GE4	364TS-365TS	\$588	G4-7KITS	N
A830	235A4575GE5	404T-405T	\$689	G4-7KITS	N
A831	235A4575GE6	404TS-405TS	\$689	G4-7KITS	N
A832	235A4575GE7	444T-449T	\$824	G4-7KITS	N
A833	235A4575GE8	444TS-449TS	\$824	G4-7KITS	N

Notes:

X\$D Ultra 841 and X\$D Ultra 661 have DE and ODE Inpro seals standard

Space Heater Kits - X\$D Ultra

Cat. No.	Part No.	Frame	Voltage	List Price	Price Symbol	Norm. Stk.
A233	153B1073BE-G01	182-184	110-120	\$161	G4-7KITS	Y
A239	153B1073BD-G02	182-184	220-240	\$161	G4-7KITS	Y
A234	153B1069AA-G01	213-286	110-120	\$167	G4-7KITS	Y
A235	153B1069AA-G02	213-286	220-240	\$167	G4-7KITS	Y
A236	153B1069AA-G03	213-286	440-480	\$167	G4-7KITS	Y
A237	153B1069AN-G01	324-405	110-120	\$282	G4-7KITS	Y
A238	153B1069AN-G05	324-405	200-208, 220-240	\$282	G4-7KITS	Y
A240	153B1069AN-G03	324-405	440-480	\$282	G4-7KITS	Y
A241	153B1069AN-G02	444-449	110-120	\$305	G4-7KITS	Y
A242	153B1069AN-G06	444-449	200-208, 220-240	\$305	G4-7KITS	Y
A244	153B1069AN-G04	444-449	440-480	\$305	G4-7KITS	Y

Notes:

Includes insulation piece and strip heater with two leads and terminals

No separate heater nameplate furnished. The existing motor nameplate is to be stamped with heater volts and watts.

X\$D Ultra® Family

Kits and Accessories (cont.)

Thermostatically Controlled Space Heater Kits (Division 2 Hazardous Locations)—X\$D Ultra, Ultra 841, Ultra 661, 500 Frames

GE has developed and patented a thermostatically controlled space heater. These heaters operate with a maximum surface temperature of 155 degrees C and are provided with a hermetically sealed thermostat so they do not spark. In most cases when a motor is shut down, the space heaters are immediately turned on. As the motor may take many hours to cool down, the heaters being automatically turned on can result in a cumulative temperature that exceeds the 80% Auto-Ignition Temperature (A.I.T.) limit for temperature code T3. These thermostatically controlled heaters will not allow the heater to energize until the motor has sufficiently cooled down (below 140C thermostat reset temperature) thereby not allowing the temperatures to exceed the limit and conserving energy.

Cat. No.	Part No.	Frame	Voltage	List Price	Price Symbol	Norm. Stk.
A284	235A4753BF1	182-184	110-120	\$509	G4-7KITS	N
A285	235A4753BF2	182-184	220-240	\$509	G4-7KITS	N
A286	235A4753BF4	182-184	440-480	\$509	G4-7KITS	N
A287	235A4753BG1	213-286	110-120	\$608	G4-7KITS	N
A288	235A4753BG2	213-286	220-240	\$608	G4-7KITS	N
A289	235A4753BG3	213-286	440-480	\$608	G4-7KITS	N
A290	235A4753BH1	324-405	110-120	\$608	G4-7KITS	N
A291	235A4753BH2	324-405	220-240	\$608	G4-7KITS	N
A292	235A4753BH3	324-405	440-480	\$608	G4-7KITS	N
A293	235A4753BJ1	444-449	110-120	\$720	G4-7KITS	N
A294	235A4753BJ2	444-449	220-240	\$720	G4-7KITS	N
A295	235A4753BJ3	444-449	440-480	\$720	G4-7KITS	N
A296	235A4753BK1	509-5013	110-120	\$825	G4-7KITS	N
A297	235A4753BK2	509-5013	220-240	\$825	G4-7KITS	N
A298	235A4753BK3	509-5013	440-480	\$825	G4-7KITS	N

Thermostat Kit - X\$D Ultra, Ultra 841, Ultra 661

Cat. No.	Part No.	Opening Temperature	Temp Class	List Price	Price Symbol	Norm. Stk.
A337	153B1004AC-G120	155-165°C	F	\$134	G4-7KITS	N

Single thermostat with leads are 29" long with terminals

X\$D Ultra® Family

Kits and Accessories (cont.)

Sliding Bases for 143-445 Frame Motors

Bases are suitable for the indicated frame size and are suitable for the majority of floor-mounted, belt connected motors. The bases are not suitable for ceiling or side-wall mounting installations. Number of adjusting screws is identified in the table.

Cat. No.	Part No.	Frame	No. of Adjusting Screws	List Price	Price Symbol	Norm. Stk.
A125	235A2321AB1	143	2	\$135	G4-7KITS	N
A126	235A2321AB2	145	2	\$135	G4-7KITS	N
A127	235A2321AB3	182	2	\$150	G4-7KITS	Y
A128	235A2321AB4	184	2	\$150	G4-7KITS	Y
A129	235A2321AB5	213	2	\$188	G4-7KITS	Y
A130	235A2321AB6	215	2	\$188	G4-7KITS	Y
A131	235A2321AB7	254	2	\$263	G4-7KITS	Y
A132	235A2321AB8	256	2	\$263	G4-7KITS	Y
A133	235A2321AB9	284	2	\$300	G4-7KITS	Y
A134	235A2321AB10	286	2	\$300	G4-7KITS	Y
A135	235A2321AB11	324	2	\$390	G4-7KITS	Y
A136	235A2321AB12	326	2	\$390	G4-7KITS	Y
A137	235A2321AB13	364	2	\$495	G4-7KITS	Y
A138	235A2321AB14	365	2	\$495	G4-7KITS	Y
A139	235A2321AB15	404	2	\$720	G4-7KITS	N
A140	235A2321AB16	405	2	\$720	G4-7KITS	N
A141	235A2321AB17	444	2	\$900	G4-7KITS	N
A142	235A2321AB18	445	2	\$900	G4-7KITS	N

2.40

X\$D Ultra® Kits

X\$D Ultra® Family

Check list for value

Complete Test per MG1 Part 12 IEEE Standard 112, Test Method B on 2% of all production. Verification of compliance and routine test report supplied with every X\$D Ultra motor

Charged lube system with Polyurea grease decreases the potential for contaminants in the lubricant

Dual mounting holes provide for application versatility and reduce inventory. (324 frame only has one mounting hole per foot

Four point cast-in lifting lugs eliminate lost eye bolts and make mounting easier and safer

Stock X\$D Ultra motors can be UL listed for Division II locations or modified to meet ATEX Zone 2 or CE requirements

Stainless steel combination breather/drains allow condensation to drain from motor

Five year warranty (60/66 months) is standard. This comprehensive warranty program covers both mechanical and efficiency performance

Rugged cast iron frame, conduit box and fan cover are resistant to process industry environments for extended motor life

Epoxyester paint system stands up to corrosive environments and meets the IEEE 841 paint requirements

Rigid and recessed severe-duty shaft slinger provides bearing system protection. (XSD Ultra 841 and Ultra 661 motors have non rotating seal/bearing isolator on the drive end). Field modifiable to a non-contact rotating seal on the drive-end

Corrosion resistant SAE Grade 5 hardware is rugged and designed for ease of the motor service

Grease fittings and plugs provide relubrication access to extend bearing life

Embossed 316 stainless steel nameplate stamped with superior operational and maintenance information. Permanently labeled, non-wicking Class H leads make connections and installation easy

Lead gasket and conduit box cover gasket prevent moisture and contaminants from entering motor

Cast-in vibration pads provide five point vibration probe mounting locations (four radial and one axial)

Single shielded bearings on both ends open towards the grease cavity allowing maximum opportunity for grease circulation within the confines of the GE Six Star Bearing System

130,000 hour L10 direct connected and 50,000 hour L10a belted bearing life increases up-time and decreases repair costs

Oversized gasketed conduit box reduces the possibility of moisture in the conduit box

Precision Plus balance to .04 ips results in smooth, reliable operation and extends bearing life

Cast iron bearing cap with gasket retains lubricant and protects the interior of the motor and the bearing system from contaminants

New finned endshields (324-449 Frames) for improved heat dissipation and long bearing life

Non-sparking corrosion resistant fan is quiet and energy efficient

Premium efficiency lowers annual energy cost and extends motor life without any sacrifice in NEMA B performance

Increased air gap on 324 through 449 frames achieves higher efficiencies without exceeding NEMA B starting currents

GEGARD2400 insulation system is manufactured with Class H materials and is designed to exceed the IGBT requirements of NEMA MG1-31

Extended grease fittings and grease filler tubes charged with Polyurea grease make maintenance safer and easier

ISO 1940 Grade 1.0 Precision Plus balance for low vibration

Temperature resistant Polyurea bearing grease suitable for temperatures of -40 to +130° C

Fan covers on frames 324 through 449 are designed with axial mounting bolts to ensure a more rugged installation

Grounding terminal in conduit box adds to safety during installation and service

Stator core centered in the frame enabling conversion to F2 mounting

Low temperature rise design increases bearing life

Notes

2.42
X\$D Ultra® Motors