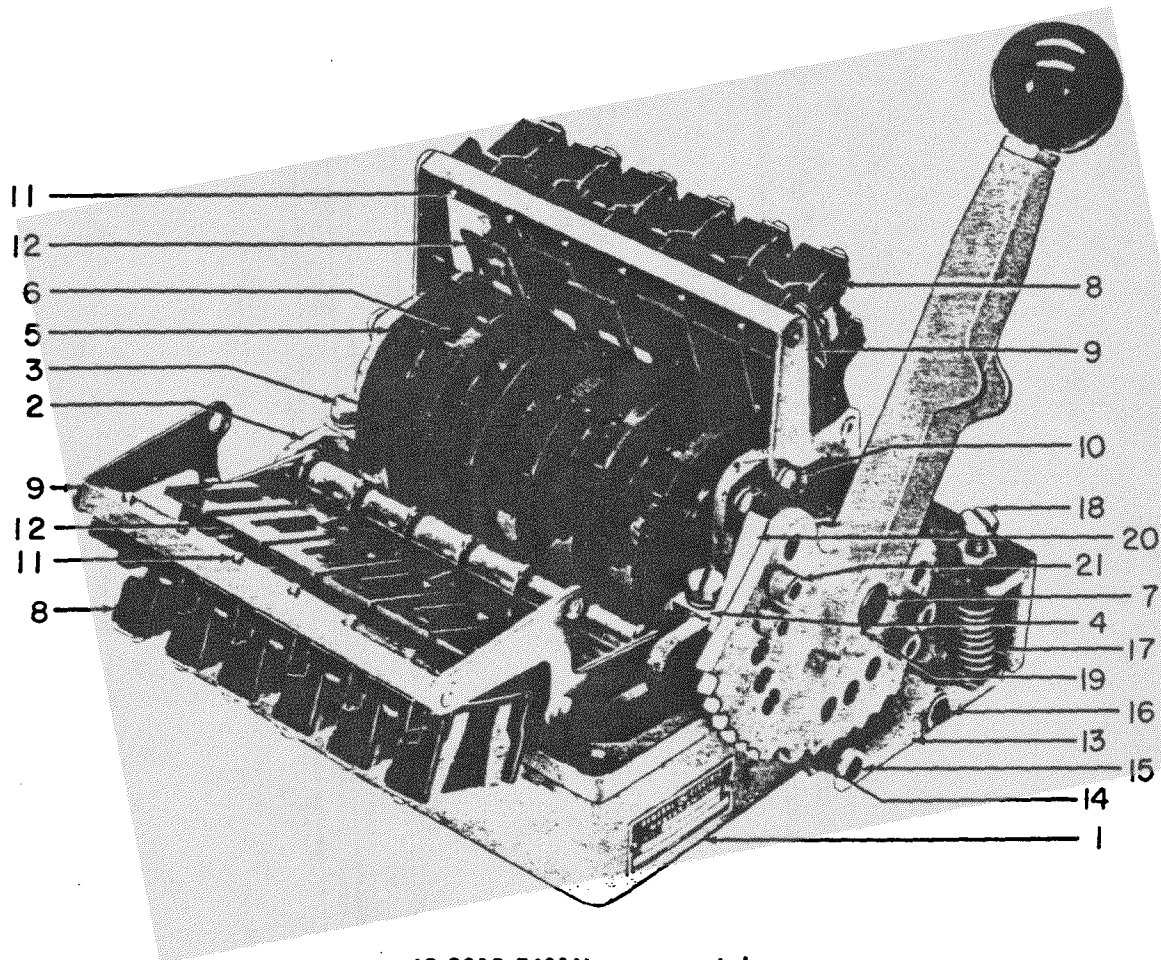


# RENEWAL PARTS



## IC3012-E MASTER SWITCHES

**NOTE:**—When ordering parts for a form of the switch not covered by this bulletin, give reference number, description of part, complete nameplate reading, and above bulletin (GEF) number. *Do not use catalog number when form for which the parts are needed is not covered by the bulletin.*



IC 3012-E401M master switch

When ordering renewal parts, give quantity, catalog number, description of each item required, and complete nameplate reading.

GENERAL  ELECTRIC

IC3012-E MASTER SWITCHES

IC3012-E-	Operating Mechanism	Ref. No. 1	Ref. No. 2	Ref. No. 3	Ref. No. 4	Camshaft	Ref. No. 5	Ref. No. 6	
		Base	Bearing Block	Screw for Bearing Block	Guard for Wires		Operating Cam	Screw for Cam	
		1 Req.	2 Req.	4 Req.	2 Req.			1 Req.	Cat. No.
See Column	Cat. No.	Cat. No.	Cat. No.	Cat. No.	Cat. No.	Cat. No.	Cat. No.	No. Req.	
200-D	--	476C872P1	576A275G1	N26P23024B	576A279P2	394B536P2	#	N26P21010B	4
200-F	--	476C872P1	576A275G1	N26P23024B	576A279P2	394B536P2	#	N26P21010B	6
201-D	01	476C872P1	576A275G1	N26P23024B	576A279P2	394B536P2	#	N26P21010B	4
201-F	01	476C872P1	576A275G1	N26P23024B	576A279P2	394B536P2	#	N26P21010B	6
202-D	02	476C872P1	576A275G1	N26P23024B	576A279P2	394B536P2	#	N26P21010B	4
202-F	02	476C872P1	576A275G1	N26P23024B	576A279P2	394B536P2	#	N26P21010B	6
203-D	03	476C872P1	576A275G1	N26P23024B	576A279P2	394B536P2	#	N26P21010B	4
203-F	03	476C872P1	576A275G1	N26P23024B	576A279P2	394B536P2	#	N26P21010B	6
207-D	07	476C872P1	576A275G1	N26P23024B	576A279P2	394B536P2	#	N26P21010B	4
207-F	07	476C872P1	576A275G1	N26P23024B	576A279P2	394B536P2	#	N26P21010B	6
212-D	--	476C872P1	576A275G1	N26P23024B	576A279P2	394B536P2	#	N26P21010B	4
212-F	--	476C872P1	576A275G1	N26P23024B	576A279P2	394B536P2	#	N26P21010B	6
400-F	--	177C852P1	576A275G1	N26P23024B	576A279P1	394B536P1	#	N26P21010B	6
400-G	--	177C852P1	576A275G1	N26P23024B	576A279P1	394B536P1	#	N26P21010B	7
400-H	--	177C852P1	576A275G1	N26P23024B	576A279P1	394B536P1	#	N26P21010B	8
400-J	--	177C852P1	576A275G1	N26P23024B	576A279P1	394B536P1	#	N26P21010B	9
400-K	--	177C852P1	576A275G1	N26P23024B	576A279P1	394B536P1	#	N26P21010B	8
400-L	--	177C852P1	576A275G1	N26P23024B	576A279P1	394B536P1	#	N26P21010B	10
400-M	--	177C852P1	576A275G1	N26P23024B	576A279P1	394B536P1	#	N26P21010B	11
401-F	01	177C852P1	576A275G1	N26P23024B	576A279P1	394B536P1	#	N26P21010B	12
401-G	01	177C852P1	576A275G1	N26P23024B	576A279P1	394B536P1	#	N26P21010B	6
401-H	01	177C852P1	576A275G1	N26P23024B	576A279P1	394B536P1	#	N26P21010B	7
401-J	01	177C852P1	576A275G1	N26P23024B	576A279P1	394B536P1	#	N26P21010B	8
401-K	01	177C852P1	576A275G1	N26P23024B	576A279P1	394B536P1	#	N26P21010B	9
401-L	01	177C852P1	576A275G1	N26P23024B	576A279P1	394B536P1	#	N26P21010B	10
401-M	01	177C852P1	576A275G1	N26P23024B	576A279P1	394B536P1	#	N26P21010B	11
402-F	02	177C852P1	576A275G1	N26P23024B	576A279P1	394B536P1	#	N26P21010B	12
402-G	02	177C852P1	576A275G1	N26P23024B	576A279P1	394B536P1	#	N26P21010B	6
402-H	02	177C852P1	576A275G1	N26P23024B	576A279P1	394B536P1	#	N26P21010B	7
402-J	02	177C852P1	576A275G1	N26P23024B	576A279P1	394B536P1	#	N26P21010B	8
402-K	02	177C852P1	576A275G1	N26P23024B	576A279P1	394B536P1	#	N26P21010B	9
402-L	02	177C852P1	576A275G1	N26P23024B	576A279P1	394B536P1	#	N26P21010B	10
402-M	02	177C852P1	576A275G1	N26P23024B	576A279P1	394B536P1	#	N26P21010B	11
403-F	03	177C852P1	576A275G1	N26P23024B	576A279P1	394B536P1	#	N26P21010B	12
403-G	03	177C852P1	576A275G1	N26P23024B	576A279P1	394B536P1	#	N26P21010B	6
403-H	03	177C852P1	576A275G1	N26P23024B	576A279P1	394B536P1	#	N26P21010B	7
403-J	03	177C852P1	576A275G1	N26P23024B	576A279P1	394B536P1	#	N26P21010B	8
403-K	03	177C852P1	576A275G1	N26P23024B	576A279P1	394B536P1	#	N26P21010B	9
403-L	03	177C852P1	576A275G1	N26P23024B	576A279P1	394B536P1	#	N26P21010B	10
403-M	03	177C852P1	576A275G1	N26P23024B	576A279P1	394B536P1	#	N26P21010B	11
404-F	04	177C852P1	†576A275G2	N26P23024B	576A279P1	π	#	N26P21010B	12
404-H	04	177C852P1	†576A275G1	N26P23024B	576A279P1	π	#	N26P21010B	6
404-K	04	177C852P1	†576A275G2	N26P23024B	576A279P1	π	#	N26P21010B	8
405-F	05	177C852P1	†576A275G1	N26P23024B	576A279P1	π	#	N26P21010B	10
405-G	05	177C852P1	576A275G1	N26P23024B	576A279P1	394B536P1	#	N26P21010B	6
405-H	05	177C852P1	576A275G1	N26P23024B	576A279P1	394B536P1	#	N26P21010B	7
405-J	05	177C852P1	576A275G1	N26P23024B	576A279P1	394B536P1	#	N26P21010B	8
405-K	05	177C852P1	576A275G1	N26P23024B	576A279P1	394B536P1	#	N26P21010B	9
405-L	05	177C852P1	576A275G1	N26P23024B	576A279P1	394B536P1	#	N26P21010B	10
405-M	05	177C852P1	576A275G1	N26P23024B	576A279P1	394B536P1	#	N26P21010B	11
407-F	05	177C852P1	576A275G1	N26P23024B	576A279P1	394B536P1	#	N26P21010B	12
407-G	07	177C852P1	576A275G1	N26P23024B	576A279P1	394B536P1	#	N26P21010B	6
407-H	07	177C852P1	576A275G1	N26P23024B	576A279P1	394B536P1	#	N26P21010B	7
407-J	07	177C852P1	576A275G1	N26P23024B	576A279P1	394B536P1	#	N26P21010B	8
407-K	07	177C852P1	576A275G1	N26P23024B	576A279P1	394B536P1	#	N26P21010B	9
407-L	07	177C852P1	576A275G1	N26P23024B	576A279P1	394B536P1	#	N26P21010B	10
407-M	07	177C852P1	576A275G1	N26P23024B	576A279P1	394B536P1	#	N26P21010B	11
412-F	--	177C852P1	576A275G1	N26P23024B	576A279P1	394B536P1	#	N26P21010B	12
412-G	--	177C852P1	576A275G1	N26P23024B	576A279P1	394B536P1	#	N26P21010B	6
412-H	--	177C852P1	576A275G1	N26P23024B	576A279P1	394B536P1	#	N26P21010B	7
412-J	--	177C852P1	576A275G1	N26P23024B	576A279P1	394B536P1	#	N26P21010B	8
412-K	--	177C852P1	576A275G1	N26P23024B	576A279P1	394B536P1	#	N26P21010B	9
412-L	--	177C852P1	576A275G1	N26P23024B	576A279P1	394B536P1	#	N26P21010B	10
412-M	--	177C852P1	576A275G1	N26P23024B	576A279P1	394B536P1	#	N26P21010B	11
415-F	01	177C852P1	†576A275G2	N26P23024B	576A279P1	π	#	N26P21010B	12
415-H	01	177C852P1	†576A275G1	N26P23024B	576A279P1	π	#	N26P21010B	6
415-K	01	177C852P1	†576A275G2	N26P23024B	576A279P1	π	#	N26P21010B	8
422-F	--	177C852P1	576A275G1	N26P23024B	576A279P1	394B536P1	#	N26P21010B	10
422-G	--	177C852P1	576A275G1	N26P23024B	576A279P1	394B536P1	#	N26P21010B	6
422-H	--	177C852P1	576A275G1	N26P23024B	576A279P1	394B536P1	#	N26P21010B	7
422-J	--	177C852P1	576A275G1	N26P23024B	576A279P1	394B536P1	#	N26P21010B	8
422-K	--	177C852P1	576A275G1	N26P23024B	576A279P1	394B536P1	#	N26P21010B	9
422-L	--	177C852P1	576A275G1	N26P23024B	576A279P1	394B536P1	#	N26P21010B	10
422-M	--	177C852P1	576A275G1	N26P23024B	576A279P1	394B536P1	#	N26P21010B	11

† Handle end, 1 required.  
‡ End opposite handle, 1 required.

π See camshaft assembly, page 7.  
# Operating cams may be ordered by the number stamped on the cam.







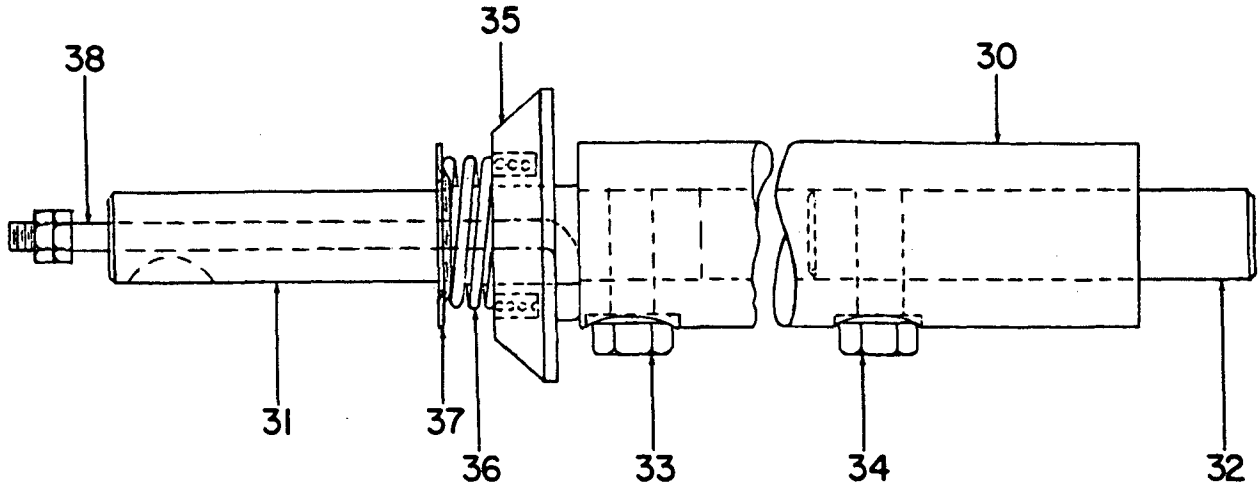
**IC3012-E MASTER SWITCHES**

IC3012-E-	Ref. No. 20	Ref. No. 21	Star Wheel	Set Screw for Star Wheel	§ Mounting Plate	Δ Spacer
	Stop for Handle	Screw for Stop				
	2 Req.	4 Req.	1 Req.	1 Req.	1 Req.	4 Req.
	Cat. No.	Cat. No.	Cat. No.	Cat. No.	Cat. No.	Cat. No.
200-D	-----	-----	-----	-----	-----	-----
200-F	-----	-----	-----	-----	-----	-----
201-D	572A937P1	N29P23008B	-----	-----	-----	-----
201-F	572A937P1	N29P23008B	-----	-----	-----	-----
202-D	-----	-----	-----	-----	-----	-----
202-F	-----	-----	-----	-----	-----	-----
203-D	572A937P1	N29P23008B	-----	-----	-----	-----
203-F	572A937P1	N29P23008B	-----	-----	-----	-----
207-D	-----	-----	-----	-----	573A968P2	2281965P74
207-F	-----	-----	-----	-----	573A968P2	2281965P74
212-D	572A937P1	N29P23008B	177C847P3	N70P2308B	-----	-----
212-F	572A937P1	N29P23008B	177C847P3	N70P2308B	-----	-----
400-F	-----	-----	-----	-----	-----	-----
400-G	-----	-----	-----	-----	-----	-----
400-H	-----	-----	-----	-----	-----	-----
400-J	-----	-----	-----	-----	-----	-----
400-K	-----	-----	-----	-----	-----	-----
400-L	-----	-----	-----	-----	-----	-----
400-M	-----	-----	-----	-----	-----	-----
401-F	572A937P1	N29P23008B	-----	-----	-----	-----
401-G	572A937P1	N29P23008B	-----	-----	-----	-----
401-H	572A937P1	N29P23008B	-----	-----	-----	-----
401-J	572A937P1	N29P23008B	-----	-----	-----	-----
401-K	572A937P1	N29P23008B	-----	-----	-----	-----
401-L	572A937P1	N29P23008B	-----	-----	-----	-----
401-M	572A937P1	N29P23008B	-----	-----	-----	-----
402-F	-----	-----	-----	-----	-----	-----
402-G	-----	-----	-----	-----	-----	-----
402-H	-----	-----	-----	-----	-----	-----
402-J	-----	-----	-----	-----	-----	-----
402-K	-----	-----	-----	-----	-----	-----
402-L	-----	-----	-----	-----	-----	-----
402-M	-----	-----	-----	-----	-----	-----
403-F	572A937P1	N29P23008B	-----	-----	-----	-----
403-G	572A937P1	N29P23008B	-----	-----	-----	-----
403-H	572A937P1	N29P23008B	-----	-----	-----	-----
403-J	572A937P1	N29P23008B	-----	-----	-----	-----
403-K	572A937P1	N29P23008B	-----	-----	-----	-----
403-L	572A937P1	N29P23008B	-----	-----	-----	-----
403-M	572A937P1	N29P23008B	-----	-----	-----	-----
404-F	572A937P1	N29P23008B	-----	-----	-----	-----
404-H	572A937P1	N29P23008B	-----	-----	-----	-----
404-K	572A937P1	N29P23008B	-----	-----	-----	-----
405-F	-----	-----	-----	-----	119A5930	2281965P74
405-G	-----	-----	-----	-----	119A5930	2281965P74
405-H	-----	-----	-----	-----	119A5930	2281965P74
405-J	-----	-----	-----	-----	119A5930	2281965P74
405-K	-----	-----	-----	-----	119A5930	2281965P74
405-L	-----	-----	-----	-----	119A5930	2281965P74
405-M	-----	-----	-----	-----	119A5930	2281965P74
407-F	-----	-----	-----	-----	573A968P1	2281965P74
407-G	-----	-----	-----	-----	573A968P1	2281965P74
407-H	-----	-----	-----	-----	573A968P1	2281965P74
407-J	-----	-----	-----	-----	573A968P1	2281965P74
407-K	-----	-----	-----	-----	573A968P1	2281965P74
407-L	-----	-----	-----	-----	573A968P1	2281965P74
407-M	-----	-----	-----	-----	573A968P1	2281965P74
412-F	572A937P1	N29P23008B	177C847P3	N70P2308B	-----	-----
412-G	572A937P1	N29P23008B	177C847P3	N70P2308B	-----	-----
412-H	572A937P1	N29P23008B	177C847P3	N70P2308B	-----	-----
412-J	572A937P1	N29P23008B	177C847P3	N70P2308B	-----	-----
412-K	572A937P1	N29P23008B	177C847P3	N70P2308B	-----	-----
412-L	572A937P1	N29P23008B	177C847P3	N70P2308B	-----	-----
412-M	572A937P1	N29P23008B	177C847P3	N70P2308B	-----	-----
415-F	572A937P1	N29P23008B	-----	-----	-----	-----
415-H	572A937P1	N29P23008B	-----	-----	-----	-----
415-K	572A937P1	N29P23008B	-----	-----	-----	-----
422-F	572A937P1	N29P23008B	177C847P6	N70P2308B	-----	-----
422-G	572A937P1	N29P23008B	177C847P6	N70P2308B	-----	-----
422-H	572A937P1	N29P23008B	177C847P6	N70P2308B	-----	-----
422-J	572A937P1	N29P23008B	177C847P6	N70P2308B	-----	-----
422-K	572A937P1	N29P23008B	177C847P6	N70P2308B	-----	-----
422-L	572A937P1	N29P23008B	177C847P6	N70P2308B	-----	-----
422-M	572A937P1	N29P23008B	177C847P6	N70P2308B	-----	-----

§ Mounting plate for master switch and operating mechanism.  
 Δ Spacer between master switch and mounting plate.

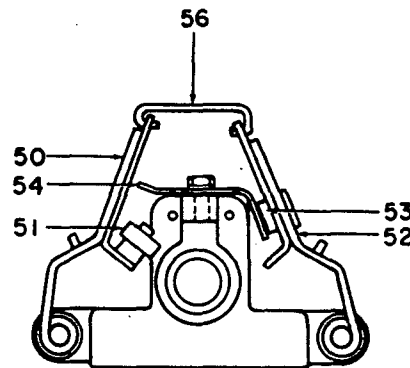
# IC3012-E MASTER SWITCHES

GEF-4134



**CAM SHAFT ASSEMBLY**  
For IC3012-E-404 and -415

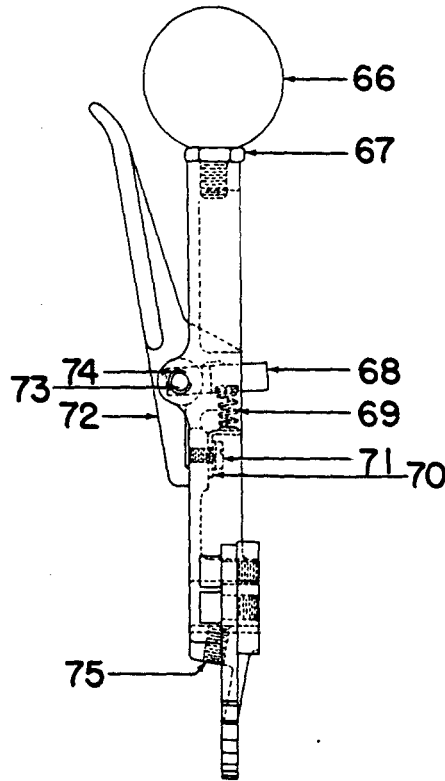
Ref. No.	Catalog Number	No. Required	Description
30	394B536P3	1	Camshaft
31	573A917P1	1	Operating shaft, handle end
32	576A281P4	1	Shaft, opposite handle end
33	N26P23012B	1	Screw fastening camshaft to operating shaft, handle end (5/16 in. - 18, 3/4 in. hex. hd. slot, pro. fin.)
34	N26P21012B	1	Screw fastening camshaft to shaft, end opposite handle end (1/4 in. - 20, 3/4 in. hex. hd. slot, pro. fin.)
35	573A918P1	1	Operating cam for auxiliary contacts
36	573A929	1	Compression spring for cam
37	573A919P1	1	Spring seat for compression spring
38	573A920P1	1	Pull rod for operating cam



**CAM FOLLOWERS FOR AUXILIARY CONTACTS**  
For IC3012-E-404 and -415

Ref. No.	Catalog Number	No. Required	Description
50	573A924G1	1	Cam follower with roller
51	573A923P1	1	Roller
52	573A925G1	1	Cam follower with spring seat
53	573A930	1	Compression spring
54	573A928P1	1	Stop
55	N144P16006B	1	Screw with lock washer, for stop
56	573A927P1	1	Tie clip for cam followers

IC3012-E MASTER SWITCHES



Ref. 65, operating handle

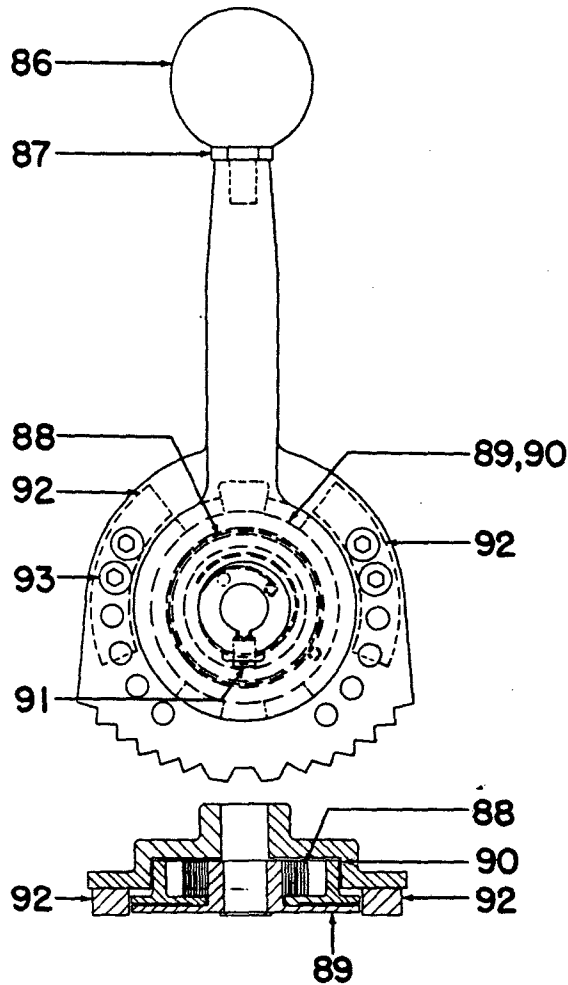
OPERATING MECHANISMS

Ref. No.	Number Required for Column-						Catalog Number	Description
	01	02	03	04	05	07		
65	1	-	-	-	-	-	177C845G2	Operating handle with knob
65	-	-	1	-	-	-	177C845G1	Operating handle with knob and latch
65	-	-	-	1	-	-	177C845G3	Operating handle with knob and lever
66	1	-	1	1	-	-	573A986P1	Knob for handle
67	1	-	1	1	-	-	576A557P1	Stud for knob
68	-	-	1	-	-	-	572A939P2	Latch for handle
69	-	-	1	-	-	-	246116	Compression spring for latch
70	-	-	1	-	-	-	572A940P1	Spring seat for compression spring
71	-	-	1	-	-	-	N57P16006B	Screw fastening spring seat to handle (10-32, 3/8 in. pan hd., pro. fin.)
72	-	-	1	-	-	-	726B127P1	Lever for latch
72	-	-	-	1	-	-	177C913P1	Lever for latch
73	-	-	1	1	-	-	577A127P6	Hinge pin for lever
74	-	-	2	2	-	-	N910P25P	Retaining ring for hinge pin
75	1	-	1	1	-	-	N70P2308B	Set screw for handles
85	-	1	-	-	-	-	177C917G1	Spring return operating mechanism
86	-	1	-	-	-	-	573A986P1	Knob for handle
87	-	1	-	-	-	-	576A557P1	Stud for knob
88	-	1	-	-	-	-	573A933P1	Tension spring
89	-	1	-	-	-	-	573A935P1	Spring retainer, inner
90	-	1	-	-	-	-	573A934P1	Spring retainer, outer
91	-	1	-	-	-	-	N70P2308B	Set screw for handle
92	-	2	-	-	-	-	573A936P1	Stop for handle
93	-	4	-	-	-	-	N29P23008B	Screw fastening stop to handle (5/16 in. -18, 1/2 in. socket hd., pro. fin.)



# IC3012-E MASTER SWITCHES

GEF-4134

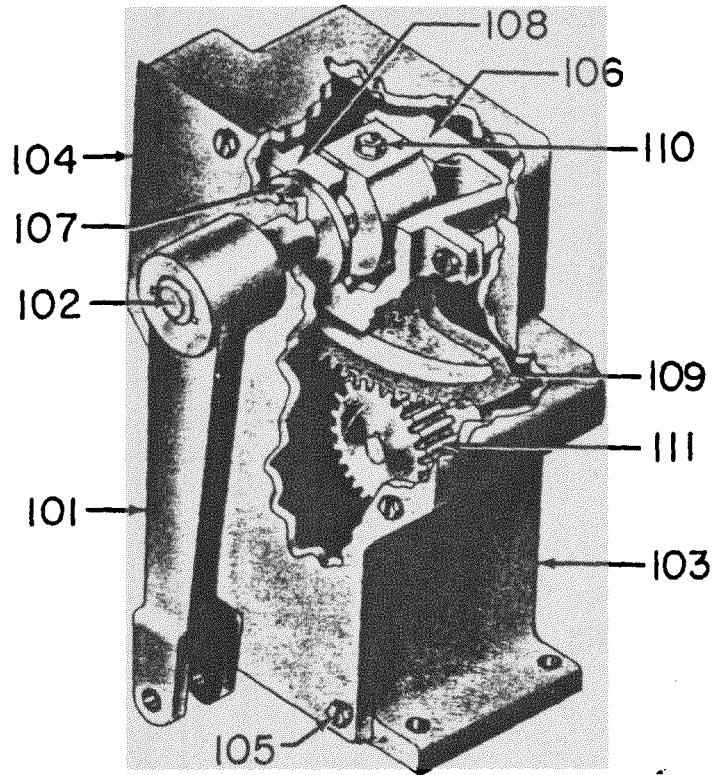


Ref. 85, spring return mechanism

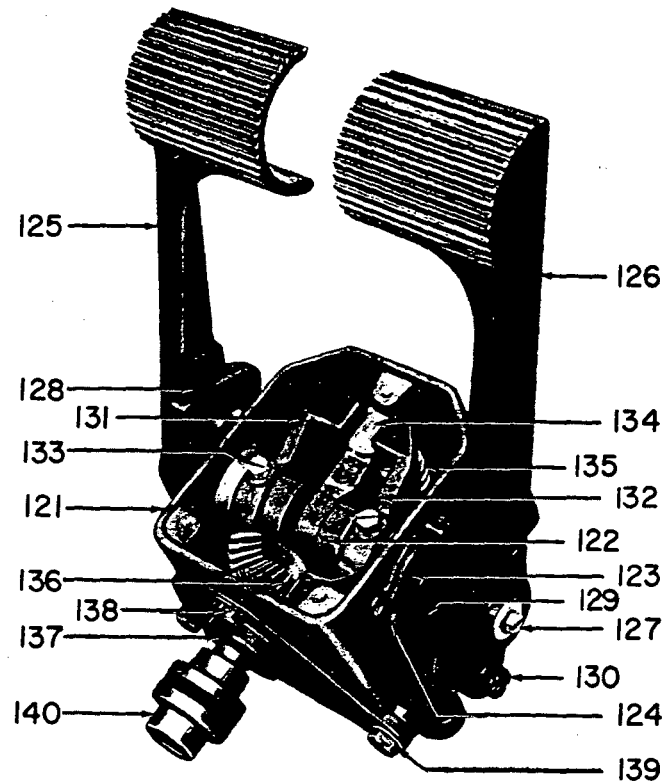
## OPERATING MECHANISMS (Cont'd)

Ref. No.	Number Required for Column-						Catalog Number	Description
	01	02	03	04	05	07		
100	-	-	-	-	1	-	5129064G1	Under lever operating mechanism
101	-	-	-	-	1	-	2299996P10	Operating lever
102	-	-	-	-	1	-	5149285P1	Operating shaft
	-	-	-	-	1	-	2292483P35	Key fastening lever to shaft
	-	-	-	-	1	-	N70P2110B	Screw fastening shaft to lever
103	-	-	-	-	1	-	5129067P1	Gear case
104	-	-	-	-	1	-	5119697P1	Cover plate for gear cover
105	-	-	-	-	6	-	N26P21012B	Screw fastening cover to gear box (1/4 in. -20, 3/4 in. hex. hd.slot, pro. fin.)
106	-	-	-	-	1	-	5119698P1	Bearing bracket for shaft
107	-	-	-	-	1	-	9645283	Washer for shaft
108	-	-	-	-	2	-	371X86	Bushing for shaft
109	-	-	-	-	1	-	5119699P1	Gear, upper
110	-	-	-	-	1	-	9645293	Screw fastening upper gear to shaft
111	-	-	-	-	1	-	5149284P1	Gear, lower
120	-	-	-	-	-	1	2299643G6	Foot mechanism, complete
121	-	-	-	-	-	1	2299637G1	Box with pivot
	-	-	-	-	-	1	2299638P1	Cover for box
	-	-	-	-	-	1	220X95	Packing between cover and box
	-	-	-	-	-	3	N26P21020B	Screw fastening cover to box (1/4 in. -20, 1 1/4 in. hex. hd.slot, pro. fin.)
	-	-	-	-	-	2	63X309	Pipe plug for box
	-	-	-	-	-	1	2298068	Gasket between box and master switch
	-	-	-	-	-	2	4921052P3	Shaft for foot lever

### IC3012-E MASTER SWITCHES



Ref. 100, under lever operating mechanism



Ref. 120, foot mechanism

# IC3012-E MASTER SWITCHES

GEF-4134

## OPERATING MECHANISMS (Cont'd)

Ref. No.	Number Required for Column-						Catalog Number	Description
	01	02	03	04	05	07		
122	-	-	-	-	-	1	2210704G1	Supporting bracket for shaft and pinion
	-	-	-	-	-	2	N26P25016B	Screw fastening supporting bracket to box (3/8 in. -16, 1 in. hex. hd. slot, pro. fin.)
123	-	-	-	-	-	2	2208082P11	Bearing for shaft
	-	-	-	-	-	4	2298067	Gasket between bearing and box
124	-	-	-	-	-	6	N26P21010B	Screw fastening bearing to box (1/4 in. -20, 5/8 in. hex. hd. slot, pro. fin.)
	-	-	-	-	-	2	220X96	Grease seal for shaft
	-	-	-	-	-	4	80X212	Ball bearing for shaft
	-	-	-	-	-	2	2291290P8	Spacer on shaft between ball bearing and operating lever
125	-	-	-	-	-	1	2299639P2	Foot lever, left-hand
126	-	-	-	-	-	1	2299639P1	Foot lever, right-hand
127	-	-	-	-	-	2	N26P23006B	Screw fastening foot lever to shaft (5/16 in. -18, 3/8 in. hex. hd. slot, pro. fin.)
128	-	-	-	-	-	2	2299639P3	Operating arm
129	-	-	-	-	-	2	N500P2532	Taper pin fastening arm to shaft
130	-	-	-	-	-	2	N22P29020B	Screw fastening foot lever to operating arm (1/2 in. -13, 1 1/4 in. hex. hd., pro. fin.)
131	-	-	-	-	-	1	2299641P2	Segment gear, right-hand
132	-	-	-	-	-	1	2299641P1	Segment gear, left-hand
133	-	-	-	-	-	2	N26P23032B	Screw fastening segment gear to shaft (5/16 in. -18, 2 in. hex. hd. slot, pro. fin.)
134	-	-	-	-	-	1	2299552G2	Operating lever
135	-	-	-	-	-	1	5745061	Compression spring for operating lever
	-	-	-	-	-	1	5745059P2	Spring seat for compression spring, upper
	-	-	-	-	-	1	5745059P1	Spring seat for compression spring, lower
	-	-	-	-	-	-	-----	Lubricant, Essolube #50 or similar (2 quarts required)
136	-	-	-	-	-	1	573A948G1	Pinion with shaft
	-	-	-	-	-	1	2245900	Bushing for shaft
	-	-	-	-	-	1	87X562	Oil seal for shaft
137	-	-	-	-	-	1	5749003P1	Cover
	-	-	-	-	-	2	9658607P3	Gasket for cover
138	-	-	-	-	-	1	N26P21022B	Screw fastening cover to box (1/4 in. -20, 1 3/8 in. hex. hd. slot, pro. fin.)
139	-	-	-	-	-	2	N26P21028B	Screw fastening cover to box (1/4 in. -20, 1 3/4 in. hex. hd. slot, pro. fin.)
140	-	-	-	-	-	1	9756824P8	Coupling
	-	-	-	-	-	1	N3400P405	Key for coupling

NUTS		PLAIN WASHER		LOCK WASHERS	
Cat. No.	Description	Cat. No.	Description	Cat. No.	Description
N210P16B	10-32, hex. std.	N402P12B	For 5/16 in. screw	N405P39B	For No. 10 screw
N203P23B	5/16 in. -18, hex. std.			N405P41B	For 1/4 in. screw
N203P25B	3/8 in. -16, hex. std.			N405P42B	For 5/16 in. screw
N203P29B	1/2 in. -13, hex. std.			N405P43B	For 3/8 in. screw
				N405P45B	For 1/2 in. screw

## IC3012-E MASTER SWITCHES

## INDEX OF CATALOG NUMBERS

Catalog identifications in this index are arranged in order, reading from left to right, first alphabetically according to the prefix letter or letters, if used, and second numerically.

In this index all numbers with a letter prefix will precede those without prefixes.

The number of letters or digits does not affect placement in the table, thus A1999999 will precede A2, and ZZ9999999 will precede Cat. No. 1 (number without a prefix). Letters take precedence over numbers so that Cat. No. 26F1 will precede Cat. No. 261.

Catalog Number	Page	Catalog Number	Page	Catalog Number	Page	Catalog Number	Page
N144P15012C	3	177C845G1	8	476C674P1	5	573A986P1	8
N144P16006B	7	177C845G2	8	476C674P2	5	574A710	5
N203P23B	11	177C845G3	8	4921052P3	9	5742193P2	4
N203P25B	11	177C847P3	6	5119697P1	9	5745059P1	11
N203P29B	11	177C847P6	6	5119698P1	9	5745059P2	11
N210P16B	11	177C852P1	2	5119699P1	9	5745061	11
N22P29020B	11	177C854P1	5	5129064G1	9	5749003P1	11
N26P21006B	3	177C854P2	5	5129067P1	9	576A275G1	2
N26P21010B	2, 3, 11	177C913P1	8	5149284P1	9	576A275G2	2
N26P21012B	7, 9	177C917G1	8	5149285P1	9	576A279P1	2
N26P21020B	9	220X95	9	572A937P1	6	576A279P2	2
N26P21022B	11	220X96	11	572A939P1	5	576A281P1	3
N26P21028B	11	2208082P11	11	572A939P2	8	576A281P2	3
N26P23006B	11	2210704G1	11	572A940P1	8	576A281P3	3
N26P23012B	7	2245900	11	572A941P1	4	576A281P4	7
N26P23024B	2	2281965P74	6	573A917P1	7	576A281P5	3
N26P23032B	11	2291290P8	11	573A918P1	7	576A289P1	4
N26P25016B	11	2292483P35	9	573A919P1	7	576A290P1	3
N29P23008B	6, 8	2298067	11	573A920P1	7	576A290P2	3
N3400P405	5, 11	2298068	9	573A923P1	7	576A557P1	8
N402P12B	11	2299552G2	11	573A924G1	7	576A559G1	3
N405P39B	11	2299637G1	9	573A925G1	7	576A559G2	3
N405P41B	11	2299638P1	9	573A927P1	7	576A570P1	5
N405P42B	11	2299639P1	11	573A928P1	7	576A575G1	4
N405P43B	11	2299639P2	11	573A929	7	577A127P4	4
N405P45B	11	2299639P3	11	573A930	7	577A127P6	8
N500P2532	11	2299641P1	11	573A933P1	8	63X309	9
N51P21016B	5	2299641P2	11	573A934P1	8	721B773G1	3
N57P16006B	8	2299643G6	9	573A935P1	8	726B127P1	8
N57P21016B	5	2299996P10	9	573A936P1	8	80X212	11
N70P2110B	9	246116	8	573A948G1	11	87X562	11
N70P2308B	6, 8	371X86	9	573A968P1	6	9645283	9
N910P18P	4	394B536P1	2	573A968P2	6	9645293	9
N910P25P	8	394B536P2	2	573A975P1	3	9658607P3	11
N910P31C	4	394B536P3	7	573A975P2	3	9756824P8	11
119A5930	6	476C672P1	2				

GENERAL ELECTRIC COMPANY  
INDUSTRIAL CONTROL PRODUCTS DEPARTMENT  
SALEM, VA. 24153

GENERAL  ELECTRIC