

RENEWAL PARTS



IC2800-Y106 CONTACTORS

Forms A, D, E, F, G, H, J, T, U, V, W, AA, AC, AD, and AE

NOTE:—When ordering parts for a form of the contactor not covered by this bulletin, give reference number, description of part, complete nameplate reading, and above bulletin (GEF) number. Do not use catalog number when form for which the parts are needed is not covered by the bulletin.

PARTS RECOMMENDED FOR NORMAL STOCK

Fig. No.	Ref. No.	No. Required for IC2800-Y-106																Cat. No.	Description
		A	D	E	F	G	H	J	T	U	V	W	AA	AC	AD	AE			
1	1 Δ	1	1	1	1	1	1	1	1	1	1	1	1	1	1	1	----- -----	Operating coil (see table below) Set of interlock contacts (see table on page 2)	
1	22	1	1	1	1	1	1	1	1	1	1	1	1	-	-	1	5350495P1	Movable contact	
1	22	-	-	-	-	-	-	-	-	-	-	-	-	1	1	-	118B5324G2	Movable contact	
1	29	1	1	1	1	1	1	1	-	1	-	1	-	-	1	-	8617333	Stationary contact	
2	29	-	-	-	-	-	-	-	1	-	1	-	1	1	-	1	118B5324G1	Stationary contact	
1	24	-	-	-	-	-	-	-	1	-	1	-	-	1	1	-	2415303G1	Compression spring for movable contact	
1	24	1	1	1	1	1	1	1	-	1	-	1	1	-	-	1	144A1386	Compression spring for movable contact	
1	17	1	1	1	1	1	1	1	1	1	1	1	1	1	1	1	2416423	Compression spring for armature	
1	14	1	1	1	1	1	1	1	1	1	1	1	1	1	1	1	5303568G1	Shunt with connection strip	
2	41	1	1	-	1	1	1	1	-	1	-	1	-	-	-	1	9004333P1	Arc chute side, right-hand	
2	42	1	1	-	1	1	1	1	-	1	-	1	-	-	-	1	9004334P1	Arc chute side, left-hand	

Δ If an interlock is used, a quantity of one set is required for each interlock.

Fig. No. 1, Ref. No. 1 - OPERATING COILS - 1 Required

NOTE:- The operating coil is identified by the number following the form letter in the IC designation.

EXAMPLE:- IC2800-Y106-A-2-B requires operating coil number 2, Cat. No. 22D136G2A

Coil No.	Catalog Number	Coil No.	Catalog Number	Coil No.	Catalog Number	Coil No.	Catalog Number
2	22D136G2A	11	22D136G21A	20	22D136G2A	29	22D136G14A
3	22D136G3A	12	22D136G14A	21	22D136G3A	30	22D136G7A
4	22D136G2A	13	22D136G7A	22	22D136G2A	31	22D136G15A
5	22D136G17A	14	22D136G15A	23	22D136G17A	32	22D136G25A
6	22D136G5A	15	22D136G25A	24	22D136G5A	33	22D136G14A
7	22D136G5A	16	22D136G6A	25	22D136G4A	34	22D136G16A
8	22D136G4A	17	22D136G14A	26	22D136G11A	35	*22D136G14A
9	22D136G11A	18	22D136G16A	27	22D136G12A	36	22D136G26A
10	22D136G12A	19	†22D136G14A	28	22D136G21A	37	22D136G16A
						38	22D136G9A

†Requires 600 ohm holding resistor. Cat. No. of coil does not include resistor.

*Requires 750 ohm holding resistor. Cat. No. of coil does not include resistor.

When ordering renewal parts, give quantity, catalog number, description of each item required, and complete nameplate reading.



IC2800-Y106 CONTACTORS

ELECTRICAL INTERLOCKS

NOTE:- The interlock is identified by the letter following the coil number in the IC designation.

EXAMPLE: IC2800-Y106-A-2-B requires interlock letter B, Cat. No. IC2956A200C.

(FORMS A, D, E, F, G, H, U, W, AA)

Interlock Letter	Interlock Switch Unit		δ Set of Interlock Contacts	Interlock Mounting Kit
	Right-hand	Left-hand		
	Cat. No.	Cat. No.	Cat. No.	Cat. No.
B	-----	IC2956A200C	6960053G3	IC2956A203F
C	-----	IC2956A200C	6960053G3	IC2956A203F
D	-----	IC2956A200C	6960053G3	IC2956A203F
E	IC2956A200C	-----	6960053G3	IC2956A203F
F	IC2956A200C	-----	6960053G3	IC2956A203F
G	IC2956A200C	-----	6960053G3	IC2956A203F
H	IC2956A200C	IC2956A200C	{ †6960053G3 ‡6960053G3	{ IC2956A203F ‡IC2956A203F
J	IC2956A200C	IC2956A200C	{ †6960053G3 ‡6960053G3	{ IC2956A203F ‡IC2956A203F
K	IC2956A200C	IC2956A200C	{ †6960053G3 ‡6960053G3	{ IC2956A203F ‡IC2956A203F
L	IC2956A200C	IC2956A200C	{ †6960053G3 ‡6960053G3	{ IC2956A203F ‡IC2956A203F
M	IC2956A200C	IC2956A200C	{ †6960053G3 ‡6960053G3	{ IC2956A203F ‡IC2956A203F
N	-----	IC2956A200AJ	6960053G3	IC2956A203F
P	-----	IC2956A200AK	6960053G3	IC2956A203F
R	-----	IC2956A200AH	6960053G3	IC2956A203F
S	IC2956A200AK	-----	6960053G3	IC2956A203F
AB	IC2956A200AC	-----	6960053G22	IC2956A203F
AC	IC2956A200AB	-----	6960053G22	IC2956A203F
AD	IC2956A200AA	-----	6960053G22	IC2956A203F
AE	-----	IC2956A200AC	6960053G22	IC2956A203F
AF	-----	IC2956A200AB	6960053G22	IC2956A203F
AG	-----	IC2956A200AA	6960053G22	IC2956A203F
BB	IC2956A205C	-----	6960053G46	IC2956A203F
BC	IC2956A205B	-----	6960053G46	IC2956A203F
BD	IC2956A205A	-----	6960053G46	IC2956A203F
BE	-----	IC2956A205C	6960053G46	IC2956A203F
BF	-----	IC2956A205B	6960053G46	IC2956A203F
BG	-----	IC2956A205A	6960053G46	IC2956A203F
BH	IC2956A200A	IC2956A205A	{ †6960053G3 ‡6960053G46	{ IC2956A203F ‡IC2956A203F
BJ	IC2956A200A	IC2956A205C	{ †6960053G3 ‡6960053G46	{ IC2956A203F ‡IC2956A203F
BK	IC2956A200A	IC2956A205B	{ †6960053G3 ‡6960053G46	{ IC2956A203F ‡IC2956A203F
BL	IC2956A200C	IC2956A205A	{ †6960053G3 ‡6960053G46	{ IC2956A203F ‡IC2956A203F
BM	IC2956A200C	IC2956A205C	{ †6960053G3 ‡6960053G46	{ IC2956A203F ‡IC2956A203F
BN	IC2956A200C	IC2956A205B	{ †6960053G3 ‡6960053G46	{ IC2956A203F ‡IC2956A203F
BP	IC2956A200B	IC2956A205A	{ †6960053G3 ‡6960053G46	{ IC2956A203F ‡IC2956A203F
BR	IC2956A200B	IC2956A205C	{ †6960053G3 ‡6960053G46	{ IC2956A203F ‡IC2956A203F
BS	IC2956A200B	IC2956A205B	{ †6960053G3 ‡6960053G46	{ IC2956A203F ‡IC2956A203F
CB	IC2956A205C	-----	6956053G46	IC2956A203F
CC	IC2956A205B	-----	6956053G46	IC2956A203F
CD	IC2956A205A	-----	6956053G46	IC2956A203F
CE	-----	IC2956A205C	6956053G46	IC2956A203F
CF	-----	IC2956A205B	6960053G46	IC2956A203F
CG	-----	IC2956A205A	6960053G46	IC2956A203F

δ Includes movable and stationary contacts with springs and contact holding screws.

† Right side.

‡ Left side.

IC2800-Y106 CONTACTORS

GEF-4126

ELECTRICAL INTERLOCKS (FORMS T V)

Interlock Letter	Interlock Switch Unit		δ Set of Interlock Contacts	Interlock Mounting Kit
	Right-hand	Left-hand		
	Cat. No.	Cat. No.	Cat. No.	Cat. No.
B	-----	IC2956A200C	6960053G3	IC2956A203F
C	-----	IC2956A200C	6960053G3	IC2956A203F
D	-----	IC2956A200C	6960053G3	IC2956A203F
E	IC2956A200C	-----	6960053G3	IC2956A203F
F	IC2956A200C	-----	6960053G3	IC2956A203F
G	IC2956A200C	-----	6960053G3	IC2956A203F
H	IC2956A200C	IC2956A200C	{ †6960053G3 ‡6960053G3	{ †IC2956A203F ‡IC2956A203F
J	IC2956A200C	IC2956A200C	{ †6960053G3 ‡6960053G3	{ †IC2956A203F ‡IC2956A203F
K	IC2956A200C	IC2956A200C	{ †6960053G3 ‡6960053G3	{ †IC2956A203F ‡IC2956A203F
L	IC2956A200C	IC2956A200C	{ †6960053G3 ‡6960053G3	{ †IC2956A203F ‡IC2956A203F
M	IC2956A200C	IC2956A200C	{ †6960053G3 ‡6960053G3	{ †IC2956A203F ‡IC2956A203F
N	IC2956A200AJ	-----	6960053G3	IC2956A203F
P	IC2956A200AK	-----	6960053G3	IC2956A203F
R	IC2956A200AH	-----	6960053G3	IC2956A203F
S	-----	IC2956A200AK	6960053G3	IC2956A203F
AB	-----	IC2956A200AC	6960053G22	IC2956A203F
AC	-----	IC2956A200AB	6960053G22	IC2956A203F
AD	-----	IC2956A200AA	6960053G22	IC2956A203F
AE	IC2956A200AC	-----	6960053G22	IC2956A203F
AF	IC2956A200AB	-----	6960053G22	IC2956A203F
AG	IC2956A200AA	-----	6960053G22	IC2956A203F
BB	-----	IC2956A205C	6960053G46	IC2956A203F
BC	-----	IC2956A205B	6960053G46	IC2956A203F
BD	-----	IC2956A205A	6960053G46	IC2956A203F
BE	IC2956A205C	-----	6960053G46	IC2956A203F
BF	IC2956A205B	-----	6960053G46	IC2956A203F
BG	IC2956A205A	-----	6960053G46	IC2956A203F
BH	IC2956A205A	IC2956A200A	{ †6960053G46 ‡6960053G3	{ †IC2956A203F ‡IC2956A203F
BJ	IC2956A205C	IC2956A200A	{ †6960053G46 ‡6960053G3	{ †IC2956A203F ‡IC2956A203F
BK	IC2956A205B	IC2956A200A	{ †6960053G46 ‡6960053G3	{ †IC2956A203F ‡IC2956A203F
BL	IC2956A205A	IC2956A200C	{ †6960053G46 ‡6960053G3	{ †IC2956A203F ‡IC2956A203F
BM	IC2956A205C	IC2956A200C	{ †6960053G46 ‡6960053G3	{ †IC2956A203F ‡IC2956A203F
BN	IC2956A205B	IC2956A200C	{ †6960053G46 ‡6960053G3	{ †IC2956A203F ‡IC2956A203F
BP	IC2956A205A	IC2956A200B	{ †6960053G46 ‡6960053G3	{ †IC2956A203F ‡IC2956A203F
BR	IC2956A205C	IC2956A200B	{ †6960053G46 ‡6960053G3	{ †IC2956A203F ‡IC2956A203F
BQ	IC2956A205B	IC2956A200B	{ †6960053G46 ‡6960053G3	{ †IC2956A203F ‡IC2956A203F
CB	-----	IC2956A200C	6960053G3	IC2956A203F
CC	-----	IC2956A200C	6960053G3	IC2956A203F
CD	-----	IC2956A200C	6960053G3	IC2956A203F
CE	IC2956A200C	-----	6960053G3	IC2956A203F
CF	IC2956A200C	-----	6960053G3	IC2956A203F
CG	IC2956A200C	-----	6960053G3	IC2956A203F
CH	IC2956A200C	IC2956A200C	{ †6960053G3 ‡6960053G3	{ †IC2956A203F ‡IC2956A203F
CJ	IC2956A200C	IC2956A200C	{ †6960053G3 ‡6960053G3	{ †IC2956A203F ‡IC2956A203F

δ Includes movable and stationary contacts with springs and contact holding screws.
† Right side.
‡ Left side.

IC2800-Y106 CONTACTORS

ELECTRICAL INTERLOCKS
(FORMS T, V CONT'D)

Interlock Letter	Interlock Switch Unit		δ Set of Interlock Contacts Cat. No.	Interlock Mounting Kit Cat. No.
	Right-hand Cat. No.	Left-hand Cat. No.		
CK	IC2956A200C	IC2956A200C	{ †6960053G3 ‡6960053G3	{ †IC2956A203F ‡IC2956A203F
CL	IC2956A200C	IC2956A200C	{ †6960053G3 ‡6960053G3	{ †IC2956A203F ‡IC2956A203F
CM	IC2956A200C	IC2956A200C	{ †6960053G3 ‡6960053G3	{ †IC2956A203F ‡IC2956A203F
CN	IC2956A200AJ	-----	6960053G3	IC2956A203F
CP	IC2956A200AK	-----	6960053G3	IC2956A203F
CR	IC2956A200AH	-----	6960053G3	IC2956A203F
CS	-----	IC2956A200AK	6960053G3	IC2956A203F
CT	IC2956A200AK	IC2956A200AK	{ †6960053G3 ‡6960053G3	{ †IC2956A203F ‡IC2956A203F
DB	-----	IC2956A200AC	6960053G22	IC2956A203F
DC	-----	IC2956A200AB	6960053G22	IC2956A203F
DD	-----	IC2956A200AA	6960053G22	IC2956A203F
DE	IC2956A200AC	-----	6960053G22	IC2956A203F
DF	IC2956A200AB	-----	6960053G22	IC2956A203F
DG	IC2956A200AA	-----	6960053G22	IC2956A203F
EB	-----	IC2956A205C	6960053G46	IC2956A203F
EC	-----	IC2956A205B	6960053G46	IC2956A203F
ED	-----	IC2956A205A	6960053G46	IC2956A203F
EE	IC2956A205C	-----	6960053G46	IC2956A203F
EF	IC2956A205B	-----	6960053G46	IC2956A203F
EG	IC2956A205A	-----	6960053G46	IC2956A203F
EH	IC2956A205A	IC2956A200A	{ †6960053G46 ‡6960053G3	{ †IC2956A203F ‡IC2956A203F
EJ	IC2956A205C	IC2956A200A	{ †6960053G46 ‡6960053G3	{ †IC2956A203F ‡IC2956A203F
EK	IC2956A205B	IC2956A200A	{ †6960053G46 ‡6960053G3	{ †IC2956A203F ‡IC2956A203F
EL	IC2956A205A	IC2956A200C	{ †6960053G46 ‡6960053G3	{ †IC2956A203F ‡IC2956A203F
EM	IC2956A205C	IC2956A200C	{ †6960053G46 ‡6960053G3	{ †IC2956A203F ‡IC2956A203F
EN	IC2956A205B	IC2956A200C	{ †6960053G46 ‡6960053G3	{ †IC2956A203F ‡IC2956A203F
EP	IC2956A205A	IC2956A200B	{ †6960053G46 ‡6960053G3	{ †IC2956A203F ‡IC2956A203F
ER	IC2956A205C	IC2956A200B	{ †6960053G46 ‡6960053G3	{ †IC2956A203F ‡IC2956A203F
ES	IC2956A205B	IC2956A200B	{ †6960053G46 ‡6960053G3	{ †IC2956A203F ‡IC2956A203F

ELECTRICAL INTERLOCKS
(FORMS AC, AD)

CB	-----	IC2956A200C	6960053G3	IC2956A203F
CC	-----	IC2956A200C	6960053G3	IC2956A203F
CD	-----	IC2956A200C	6960053G3	IC2956A203F
CE	IC2956A200C	-----	6960053G3	IC2956A203F
CF	IC2956A200C	-----	6960053G3	IC2956A203F
CG	IC2956A200C	-----	6960053G3	IC2956A203F
CH	IC2956A200C	IC2956A200C	{ †6960053G3 ‡6960053G3	{ †IC2956A203F ‡IC2956A203F
CJ	IC2956A200C	IC2956A200C	{ †6960053G3 ‡6960053G3	{ †IC2956A203F ‡IC2956A203F
CK	IC2956A200C	IC2956A200C	{ †6960053G3 ‡6960053G3	{ †IC2956A203F ‡IC2956A203F

δ Includes movable and stationary contacts with springs and contact holding screws.

† Right side.

‡ Left side.

IC2800-Y106 CONTACTORS

GEF-4126

ELECTRICAL INTERLOCKS (FORMS AC, AD CONT'D)

Interlock Letter	Interlock Switch Unit		δ Set of Interlock Contacts Cat. No.	Interlock Mounting Kit Cat. No.
	Right-hand Cat. No.	Left-hand Cat. No.		
CL	IC2956A200C	IC2956A200C	{ †6960053G3 ‡6960053G3	{ †IC2956A203F ‡IC2956A203F
CM	IC2956A200C	IC2956A200C	{ †6960053G3 ‡6960053G3	{ †IC2956A203F ‡IC2956A203F
CN	IC2956A200AJ	-----	6960053G3	IC2956A203F
CP	IC2956A200AK	-----	6960053G3	IC2956A203F
CR	IC2956A200AK	-----	6960053G3	IC2956A203F
CS	-----	IC2956A200AK	6960053G3	IC2956A203F
CT	IC2956A200AK	IC2956A200AK	{ †6960053G3 ‡6960053G3	{ †IC2956A203F ‡IC2956A203F

ELECTRICAL INTERLOCKS (FORMS J, AE)

B	-----	IC2956A200C	6960053G3	IC2956A203F
C	-----	IC2956A200A	6960053G3	IC2956A203F
D	-----	IC2956A200B	6960053G3	IC2956A203F
E	IC2956A200C	-----	6960053G3	IC2956A203F
F	IC2956A200A	-----	6960053G3	IC2956A203F
G	IC2956A200B	-----	6960053G3	IC2956A203F
H	IC2956A200A	IC2956A200A	{ †6960053G3 ‡6960053G3	{ †IC2956A203F ‡IC2956A203F
J	IC2956A200B	IC2956A200B	{ †6960053G3 ‡6960053G3	{ †IC2956A203F ‡IC2956A203F
K	IC2956A200C	IC2956A200C	{ †6960053G3 ‡6960053G3	{ †IC2956A203F ‡IC2956A203F
L	IC2956A200C	IC2956A200A	{ †6960053G3 ‡6960053G3	{ †IC2956A203F ‡IC2956A203F
M	IC2956A200C	IC2956A200B	{ †6960053G3 ‡6960053G3	{ †IC2956A203F ‡IC2956A203F
N	IC2956A200AJ	-----	6960053G3	IC2956A203E
P	IC2956A200AH	-----	6960053G3	IC2956A203E
R	IC2956A200AK	-----	6960053G3	IC2956A203E
S	IC2956A200C	IC2956A200A	{ †6960053G3 ‡6960053G3	{ †IC2956A203E ‡IC2956A203E
T	IC2956A200AJ	IC2956A200AJ	{ †6960053G3 ‡6960053G3	{ †IC2956A203F ‡IC2956A203F
AB	-----	IC2956A200AC	6960053G22	IC2956A203F
AC	-----	IC2956A200AA	6960053G22	IC2956A203F
AD	-----	IC2956A200AB	6960053G22	IC2956A203F
AE	IC2956A200AC	-----	6960053G22	IC2956A203F
AF	IC2956A200AA	-----	6960053G22	IC2956A203F
AG	IC2956A200AB	-----	6960053G22	IC2956A203F
AH	IC2956A200AA	IC2956A200AA	{ †6960053G22 ‡6960053G22	{ †IC2956A203F ‡IC2956A203F
AJ	IC2956A200AB	IC2956A200AB	{ †6960053G22 ‡6960053G22	{ †IC2956A203F ‡IC2956A203F
AK	IC2956A200AC	IC2956A200AC	{ †6960053G22 ‡6960053G22	{ †IC2956A203F ‡IC2956A203F
AL	IC2956A200AC	IC2956A200AC	{ †6960053G22 ‡6960053G22	{ †IC2956A203F ‡IC2956A203F
AM	IC2956A200AC	IC2956A200AB	{ †6960053G22 ‡6960053G22	{ †IC2956A203F ‡IC2956A203F
AN	IC2956A200AA	IC2956A200AC	{ †6960053G22 ‡6960053G22	{ †IC2956A203F ‡IC2956A203F
BB	IC2956A200A	IC2956A200AA	{ †6960053G3 ‡6960053G22	{ †IC2956A203F ‡IC2956A203F

δ Includes movable and stationary contacts with springs and contact holding screws.
 † Right side.
 ‡ Left side.

IC2800-Y106 CONTACTORS

ELECTRICAL INTERLOCKS

(FORM AE CONT'D)

Interlock Letter	Interlock Switch Unit		δ Set of Interlock Contacts Cat. No.	Interlock Mounting Kit Cat. No.
	Right-hand Cat. No.	Left-hand Cat. No.		
BC	IC2956A200A	IC2956A200AC	{ †6960053G3 ‡6960053G22	{ †IC2956A203F ‡IC2956A203F
BD	IC2956A200A	IC2956A200AB	{ †6960053G3 ‡6960053G22	{ †IC2956A203F ‡IC2956A203F
BE	IC2956A200C	IC2956A200AA	{ †6960053G3 ‡6960053G22	{ †IC2956A203F ‡IC2956A203F
BF	IC2956A200C	IC2956A200AC	{ †6960053G3 ‡6960053G22	{ †IC2956A203F ‡IC2956A203F
BG	IC2956A200C	IC2956A200AB	{ †6960053G3 ‡6960053G22	{ †IC2956A203F ‡IC2956A203F
BH	IC2956A200B	IC2956A200AA	{ †6960053G3 ‡6960053G22	{ †IC2956A203F ‡IC2956A203F
BJ	IC2956A200B	IC2956A200AC	{ †6960053G3 ‡6960053G22	{ †IC2956A203F ‡IC2956A203F
BK	IC2956A200B	IC2956A200AB	{ †6960053G3 ‡6960053G22	{ †IC2956A203F ‡IC2956A203F
CB	-----	IC2956A205C	6960053G46	IC2956A203F
CC	-----	IC2956A205A	6960053G46	IC2956A203F
CD	-----	IC2956A205B	6960053G46	IC2956A203F
CE	IC2956A205C	-----	6960053G46	IC2956A203F
CF	IC2956A205A	-----	6960053G46	IC2956A203F
CG	IC2956A205B	-----	6960053G46	IC2956A203F
CH	IC2956A205A	IC2956A205A	{ †6960053G46 ‡6960053G46	{ †IC2956A203F ‡IC2956A203F
CJ	IC2956A205B	IC2956A205B	{ †6960053G46 ‡6960053G46	{ †IC2956A203F ‡IC2956A203F
CK	IC2956A205C	IC2956A205C	{ †6960053G46 ‡6960053G46	{ †IC2956A203F ‡IC2956A203F
CL	IC2956A205C	IC2956A205A	{ †6960053G46 ‡6960053G46	{ †IC2956A203F ‡IC2956A203F
CM	IC2956A205C	IC2956A205B	{ †6960053G46 ‡6960053G46	{ †IC2956A203F ‡IC2956A203F
DB	IC2956A205A	IC2956A200A	{ †6960053G46 ‡6960053G46	{ †IC2956A203F ‡IC2956A203F
DC	IC2956A205C	IC2956A200A	{ †6960053G46 ‡6960053G3	{ †IC2956A203F ‡IC2956A203F
DD	IC2956A205B	IC2956A200A	{ †6960053G3 ‡6960053G3	{ †IC2956A203F ‡IC2956A203F
DE	IC2956A205B	IC2956A200A	{ †6960053G46 ‡6960053G3	{ †IC2956A203F ‡IC2956A203F
DF	IC2956A205C	IC2956A200C	{ †6960053G46 ‡6960053G3	{ †IC2956A203F ‡IC2956A203F
DG	IC2956A205B	IC2956A200C	{ †6960053G46 ‡6960053G3	{ †IC2956A203F ‡IC2956A203F
DH	IC2956A205A	IC2956A200B	{ †6960053G46 ‡6960053G3	{ †IC2956A203F ‡IC2956A203F
DJ	IC2956A205C	IC2956A200B	{ †6960053G46 ‡6960053G3	{ †IC2956A203F ‡IC2956A203F
DK	IC2956A205B	IC2956A200B	{ †6960053G46 ‡6960053G3	{ †IC2956A203F ‡IC2956A203F

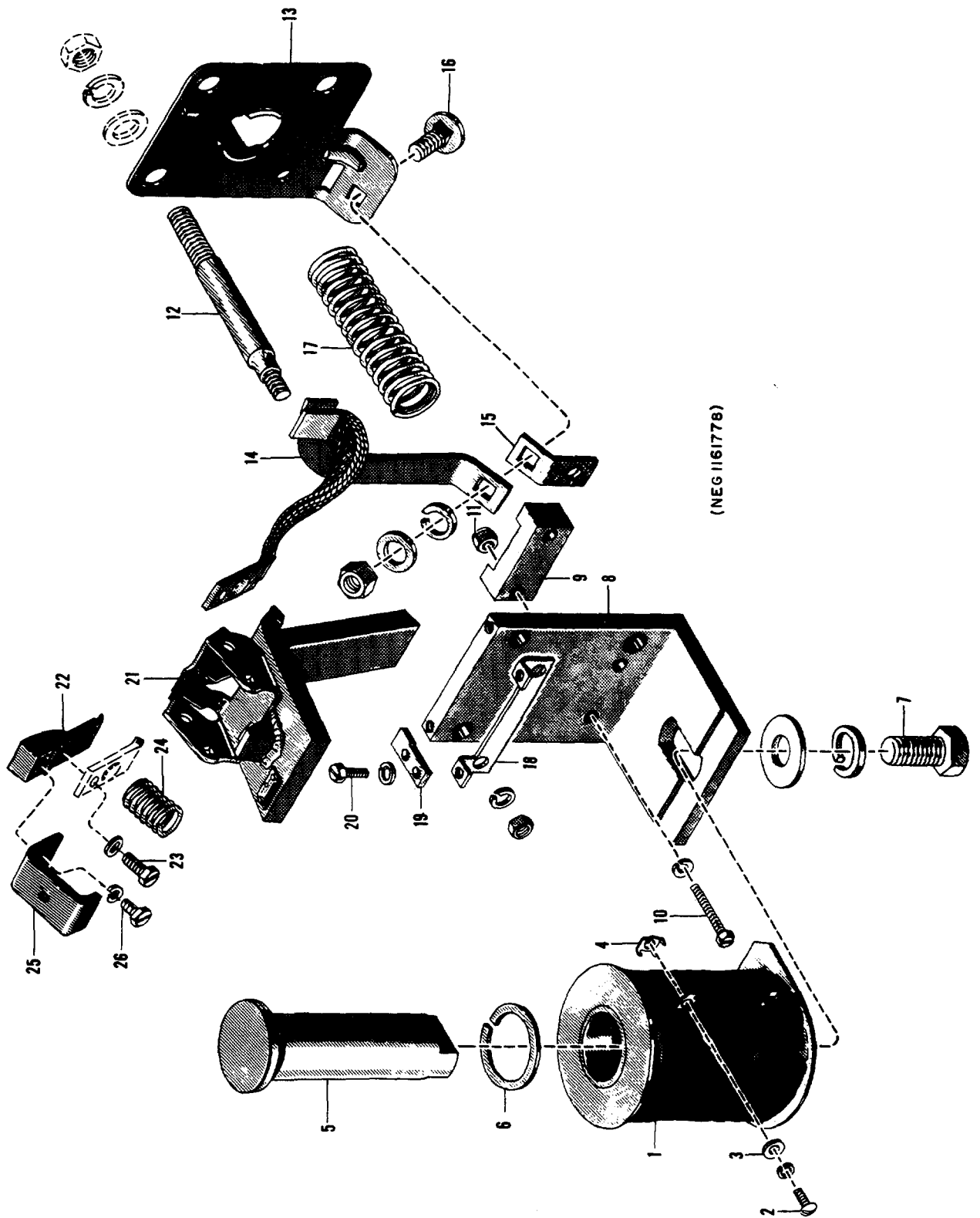
δ Includes movable and stationary contacts with springs and contact holding screws.

† Right side.

‡ Left side.

IC2800-Y106 CONTACTORS

GEF-4126



(NEG 1161778)

Fig. 1

COMPLETE LIST OF PARTS

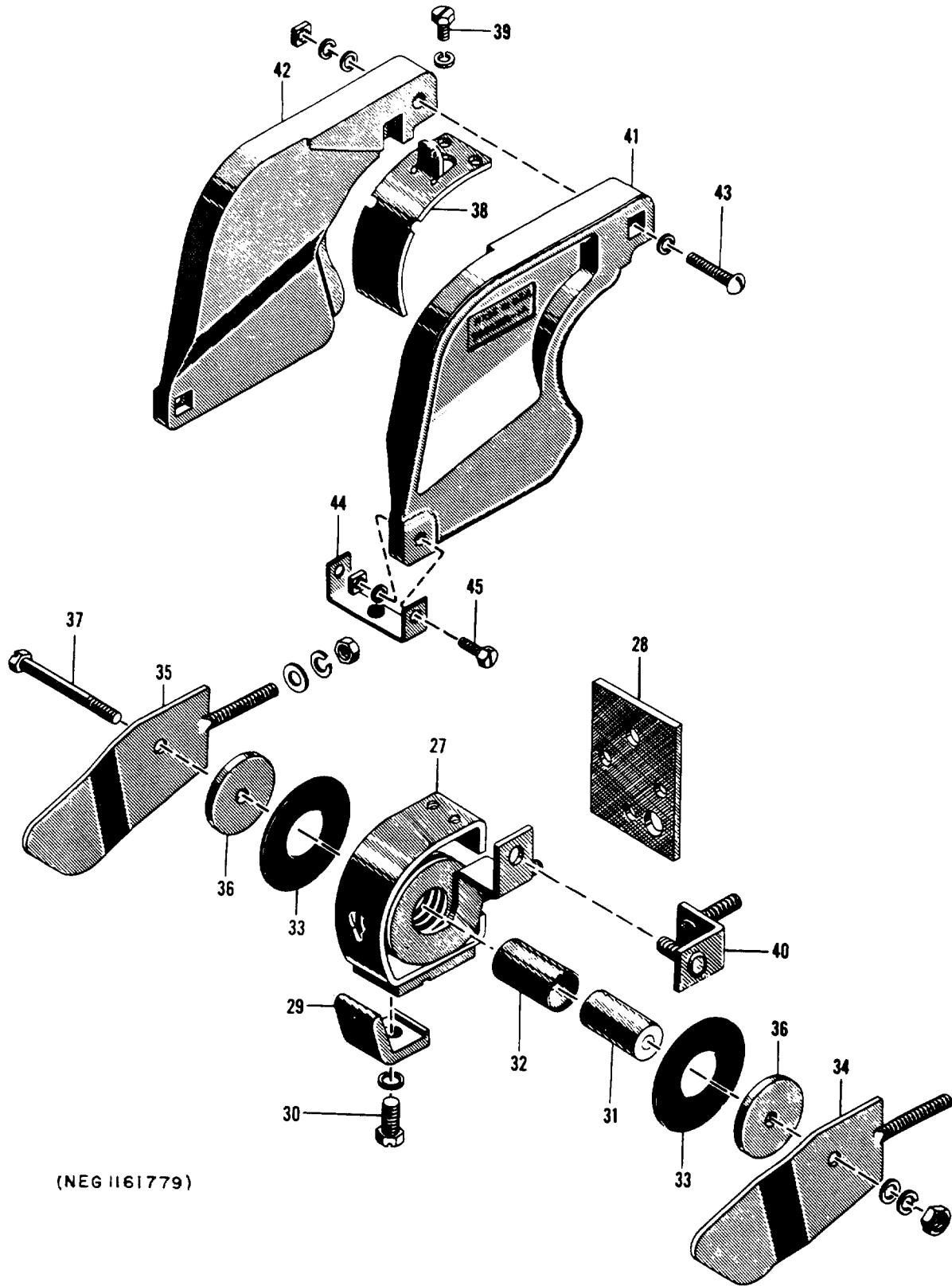
Fig. No.	Ref. No.	No. Required for IC2800-Y106-														Cat. No.	Description		
		A	D	E	F	G	H	J	T	U	V	W	AA	AC	AD			AE	
1	2	2	2	2	2	2	2	2	2	2	2	2	2	2	2	2	2	N144P16008	Connection screw with lock washer for coil lead (10-32, 1/2 in. pan hd, pro. fin.)
1	4	2	2	2	2	2	2	2	2	2	2	2	2	2	2	2	2	8617032P1	Terminal clamp for coil lead
1	5	1	1	1	1	1	1	1	1	1	1	1	1	1	1	1	1	5304780G4	Magnet core for operating coil
1	6	1	1	1	1	1	1	1	1	1	1	1	1	1	1	1	1	8626009P10	Retaining washer for operating coil
	*	†	†	†	†	†	†	†	†	-	-	†	†	-	†	-	†	147A5848P6	Shim washer for operating coil
	*	-	-	-	-	-	-	-	-	†	†	-	-	-	†	-	-	147A5648P10	Shim washer for operating coil
1	7	1	1	1	1	1	1	1	1	1	1	1	1	1	1	1	1	N22P35024B	Screw fastening magnet core to magnet frame (3/4 in. -10, 1 1/2 in. hex. hd slot, pro. fin.)
1	8	1	1	1	1	1	1	1	1	1	1	1	1	1	1	1	1	6982581P2	Magnet frame
1	9	1	1	1	1	1	1	1	1	-	-	1	1	1	-	1	-	6982580P2	Stop for armature
1	9	-	-	-	-	-	-	-	-	1	1	-	-	-	-	1	-	6982580P10	Stop for armature
1	10	2	2	2	2	2	2	2	2	2	2	2	2	2	2	2	2	N26P21032B	Screw fastening armature stop to magnet frame (1/4 in. -20, 2 in. hex. hd slot, pro. fin.)
1	11	2	2	2	2	2	2	2	2	2	2	2	2	2	2	2	2	577A104P6	Elastic stop nut for screw fastening armature stop
1	12	3	3	3	3	3	3	3	3	3	3	3	3	3	3	3	3	119A5404P1	Supporting post for magnet frame
1	13	1	1	1	1	1	1	1	1	1	1	1	1	1	1	1	1	6969501G2	Base plate with spring support
	*	1	1	1	1	-	1	-	1	1	1	-	-	1	1	1	1	119A4693P1	Cover for spring support (back of base)
1	14	1	1	1	1	1	1	1	1	1	1	1	1	1	1	1	1	5303568G1	Shunt with connection strip
1	15	1	1	1	1	1	1	1	1	1	1	1	1	1	1	1	1	117A7300P3	Bus bar for shunt
1	16	1	1	1	1	1	1	1	1	1	1	1	1	1	1	1	1	N62P29020B	Carriage bolt fastening bus bar and shunt to base plate (1/2 in. -13, 1 1/4 in., pro. fin.)
1	17	1	1	1	1	1	1	1	1	1	1	1	1	1	1	1	1	2416423	Compression spring for armature
1	18	1	1	1	1	1	1	1	1	1	1	1	1	1	1	1	1	6982580P1	Supporting bracket for guide plate
1	19	2	2	2	2	2	2	2	2	2	2	2	2	2	2	2	2	6980186P3	Guide plate for armature
1	20	4	4	4	4	4	4	4	4	4	4	4	4	4	4	4	4	N26P21008B	Screw fastening fulcrum to supporting bracket or frame (1/4 in. -20, 1/2 in. hex. hd slot, pro. fin.)
1	21	1	1	1	1	1	1	1	1	1	1	1	1	1	1	1	1	9055297G1	Armature and support for movable contact
1	22	1	1	1	1	1	1	1	1	1	1	1	1	-	-	-	1	5350495P1	Movable contact
1	22	-	-	-	-	-	-	-	1	-	-	-	-	1	1	-	-	118B5324G2	Movable contact
1	23	1	1	1	1	1	1	1	1	1	1	1	1	1	1	1	1	N26P23010B	Screw fastening shunt to movable contact (5/16 in. -18, 5/8 in. hex. hd slot, pro. fin.)
	*	†	†	†	†	†	†	†	†	†	†	†	†	†	†	†	†	162A3184P6	Spacer between compression spring and spring seat
	*	1	1	1	1	1	1	1	1	1	1	1	1	1	1	1	1	162A3184P7	Seat for compression spring
1	24	1	1	1	1	1	1	1	1	-	1	-	1	-	-	-	1	144A1386	Compression spring for movable contact
1	24	-	-	-	-	-	-	-	1	-	1	-	-	1	1	-	-	2415303G1	Compression spring for movable contact
1	25	1	1	1	1	1	1	1	-	1	-	1	1	-	-	-	1	5354669P2	Arcing horn for movable contact
1	26	1	1	1	1	1	1	1	-	1	-	1	1	-	-	-	1	N26P21006B	Screw fastening arcing horn to movable contact (1/4 in. -20, 3/8 in. hex. hd slot, pro. fin.)
2	27	1	1	-	1	1	-	1	-	-	-	1	-	-	-	-	1	728B544G2	Blowout coil with support for stationary contact
2	27	-	-	-	-	-	-	-	-	1	-	-	-	-	-	-	-	728B544G9	Blowout coil with support for stationary contact
2	27	-	-	-	-	-	1	-	-	-	-	-	-	-	-	-	-	728B544G14	Blowout coil with support for stationary contact
2	28	-	-	-	-	1	-	-	-	-	-	-	-	-	-	-	-	139B8038G1	Spacer between blowout coil and base
2	28	-	-	-	-	-	-	-	-	-	-	-	-	-	-	-	-	119A5410P3	Spacer between blowout coil and base
2	28	1	1	-	1	1	1	1	-	-	-	1	-	-	-	-	-	119A5410P1	Spacer between blowout coil and base
2	28	-	-	-	-	-	-	-	-	1	-	-	-	-	-	-	-	119A5410P2	Spacer between blowout coil and base
	*	2	2	-	2	2	2	2	-	2	-	2	-	-	-	-	2	N25P23020B	Screw fastening stationary contact support to base (5/16 in. -18, 1 1/4 in. hex. hd slot, pro. fin.)

IC2800-Y106 CONTACTORS

GEF-4126

* Not shown
† As required

IC2800-Y106 CONTACTORS



(NEG 1161779)

Fig. 2

COMPLETE LIST OF PARTS (CONT'D)

Fig. No.	Ref. No.	No. Required for IC2800-Y106-														Cat. No.	Description		
		A	D	E	F	G	H	J	T	U	V	W	AA	AC	AD			AE	
	*																	205A4001P1	Spacer between insulation and base
	*			1					1		1		1	1	1			162A3184P4	Spacer between contact tip support and base
2	29	1	1	1	1	1	1	1		1		1	1					8617333	Stationary contact
2	29								1		1			1	1			118B5324G1	Stationary contact
2	30	1	1	1	1	1	1	1	1	1	1	1	1	1	1	1		N22P25012B	Screw fastening stationary contact to support (3/8 in. -16, 3/4 in. hex. hd, pro. fin.)
	*			1					1		1		1	1	1			N22P29040B	Screw fastening stationary contact tip support to base
	*			1					1		1		1	1	1			188A5038G1	Stationary contact tip support
2	31	1	1		1	1	1	1		1		1						8617335	Magnet core for blowout coil
2	32	1	1		1	1	1	1				1						9023364P1	Insulation sleeve for magnet core
2	32											1						9023364P2	Insulation sleeve for magnet core
2	33	2	2		2	2	2	2				2						284A955P1	Insulation washer for blowout coil
2	33											2						284A955P2	Insulation washer for blowout coil
2	34	1	1		1	1					1		1					9034271G5	Pole piece with stud, right-hand
2	34						1											233A524G1	Pole piece with stud, right-hand
2	35	1	1		1	1		1			1		1					9034271G6	Pole piece with stud, left-hand
2	35						1											233A524G2	Pole piece with stud, left-hand
2	*	2	2		2	2	2	2			2		2					245A2576	Strap for blowout coil
2	36	2	2		2	2	2	2			2		2					8617334	Spacer for pole piece
2	37	1	1		1	1	1	1			1		1					N26P23048B	Screw fastening pole pieces together (5/16 in. -18, 3 in. hex. hd slot, pro. fin.)
2	37																	N57P21024B	Screw fastening pole pieces together (1/4 in. -20, 1 1/2 in. pan hd slot, pro. fin.)
2	38	1	1		1	1	1	1			1		1					8650328G2	Burning strip for blowout coil
2	39	2	2		2	2	2	2			2		2					N26P21010B	Screw fastening burning strip to blowout coil (1/4 in. -20, 5/8 in. hex. hd slot, pro. fin.)
2	40	1	1		1	1	1	1			1		1					119A4691G2	Support for blowout coil lead
		1	1		1	1	1	1			1		1					117A7313G1	Arc chute, complete, with support, screws, nuts, and washers
2	41	1	1		1	1	1	1			1		1					9004333P1	Arc chute side, right-hand
2	42	1	1		1	1	1	1			1		1					9004334P1	Arc chute side, left-hand
2	43	1	1		1	1	1	1			1		1					N57P21028B	Screw fastening arc chute sides together (1/4 in. -20, 1 3/4 in. pan hd, pro. fin.)
2	44	1	1		1	1	1	1			1		1					8650445P4	Support for arc chute
2	45	2	2		2	2	2	2			2		2					N144P21012C	Screw with lock washer fastening support to arc chute side
	*	1																909B580P1	Base for contactor
	*		1															909B580P3	Base for contactor
	*				1								1					909B580P4	Base for contactor
	*								1				1	1	1			68J120202BJ-XXXW	Base for contactor
	*	1	1		1													909B580P2	Insulation for back of base
	*																	909B580P5	Insulation for back of base
	*												1					161A8066P2	Insulation for back of base
	*												1					161A8066P3	Insulation for back of base
	*			1										1				161A8066P1	Insulation for back of base
	*					1		1					1					139B8038P2	Insulation for back of base

* Not shown

GENERAL ELECTRIC COMPANY • COMPONENT AND DEVICES SALES
DRIVE SYSTEMS DEPARTMENT • SALEM, VA 24153

IC2800-Y106 CONTACTORS