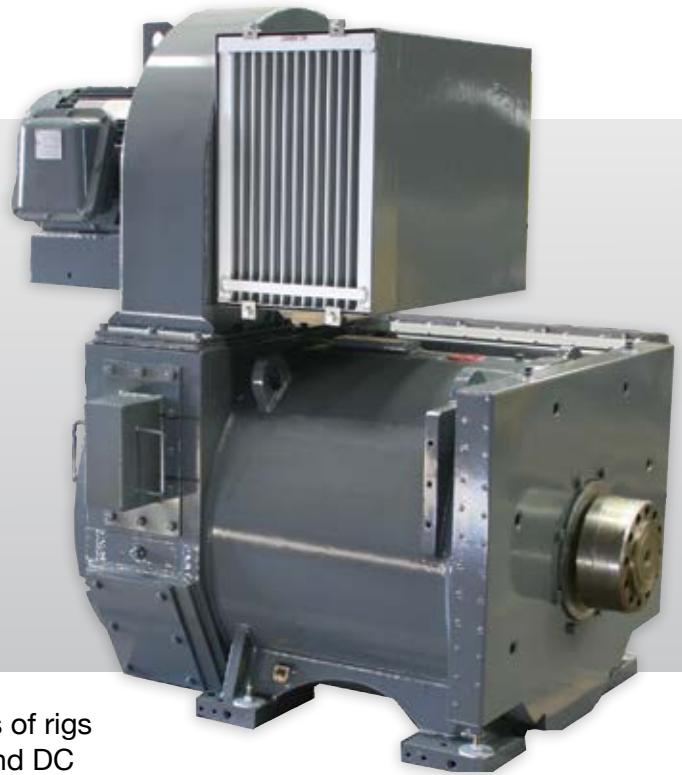




Fact Sheet

Unparalleled Performance

5GEB28B and 5GEB29B 1600 HP AC Drilling Motors



Reliable, compact and powerful choices for all types of rigs from your global leader. Wabtec Corporation's AC and DC motors have delivered industry-leading technology for more than 60 years.

Pioneering the application of AC technology to oilfield equipment, Wabtec Corporation has more than 4,000 AC units installed on more than 1,000 rigs worldwide. Wabtec's AC motors have been field proven in the harshest conditions, compliant to a broad range of industry certifications: ATEX, IECEx, and CSA, increasing operations across more rigs, geographies and regulated territories.

Quick Facts

- **5GEB28** – special bearing design for axial loads, direct coupled loads
- **5GEB29** – oversized roller bearing and shaft for radial side loads
- 6-pole stator with “form-wound” windings
- Copper chromium alloy rotor bars
- Class H insulation, robotically taped, Mica-Kapton system
- 4340 alloy shafts
- Insulated bearings on non-drive and drive ends
- Single shaft extension with hub
- IP56 stainless steel connection box, field convertible from A to B side
- Winding RTDs, 100 ohm platinum; 2 per phase
- Pressure sensor to verify ventilation
- 30 HP (22 kW) blower assembly providing 5,150 scfm
- Tape heaters – 200 watts on each end of motor
- IP44 assembly rating
- Same shaft height and mounting feet dimensions as the 5GE752 - Shaft diameter and hub are larger

5GEB28B1 5GEB29B1	Continuous Duty (S1)	Continuous Duty (S1)	Intermittent Duty (S9) <small>(60 sec. on - 45 sec. off)</small>
Ambient Air	-40°C to +45°C	-20°C to +55°C	-20°C to +55°C
Rated Volts (AC)	577	577	577
Current (Amps)	1483	1376	1869
Rated Speed (RPM)	850	920	800
Horsepower (kW)	1600 (1193)	1600 (1193)	1979 (1476)
Speed (RPM) @ rated HP and 640v rms L-L	850 to 2200	920 to 2200	850 to 1800
Torque lb-ft (Nm)	9886 (13404)	9197 (12469)	13000 (17626)
Speed (RPM) @ rated Torque	0 to 850	0 to 920	0 to 800
Required Air Flow (SCFM)	5150	5150	5150
Maximum Voltage rms L-L	690vac	690vac	690vac
Maximum Speed (RPM)	3000	3000	3000

5GEB28 and 5GEB29 AC Drilling Motors

Demanding Applications

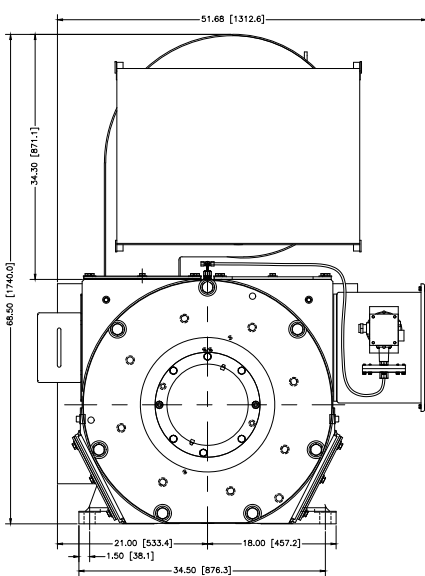


Oil & Gas Drill rig drawworks, Mud Pumps, Rotary Tables and Top Drives

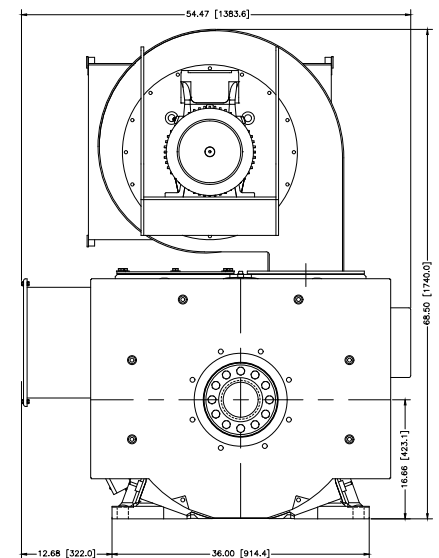
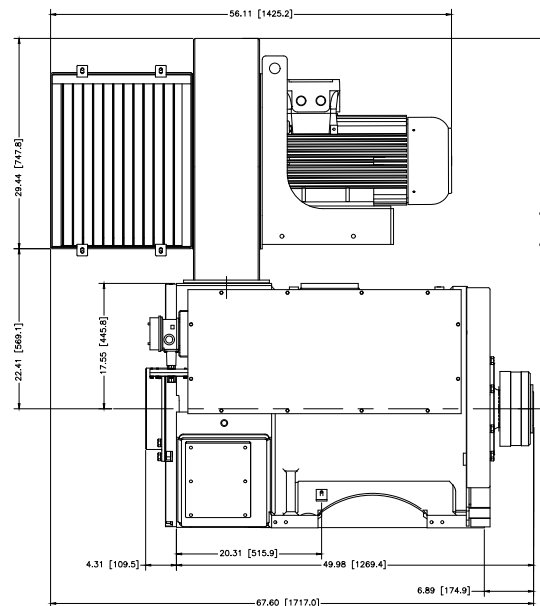
Marine Propulsion, Winches, Thrusters

Dredge Cutters, Pumps

Industrial Conveyors, Mixers, Compressors, Pumps, Cranes



NON-DRIVE END



DRIVE END

