



GE Renewal Parts

Use original equipment parts for reliability
PARTS BULLETIN

UNCONTROLLED COPY

See On-Line Master for Current Revision

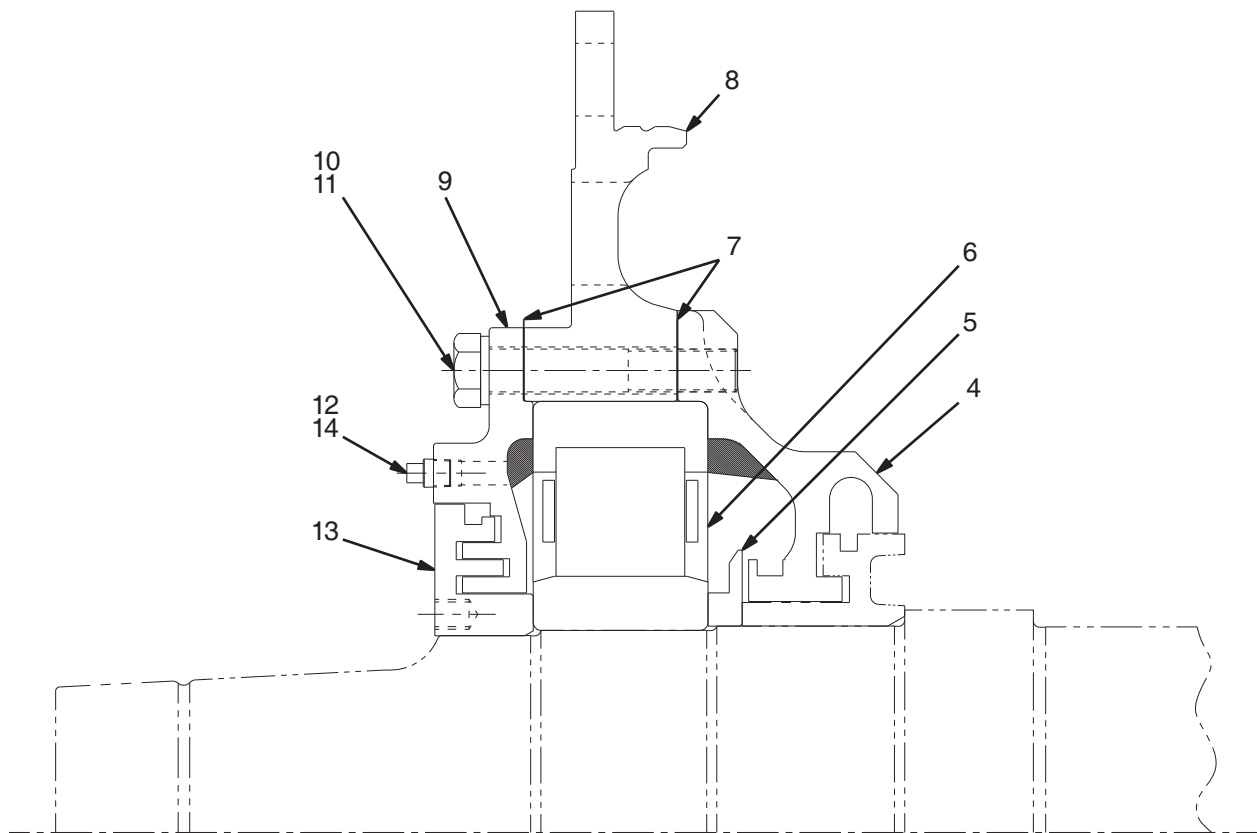
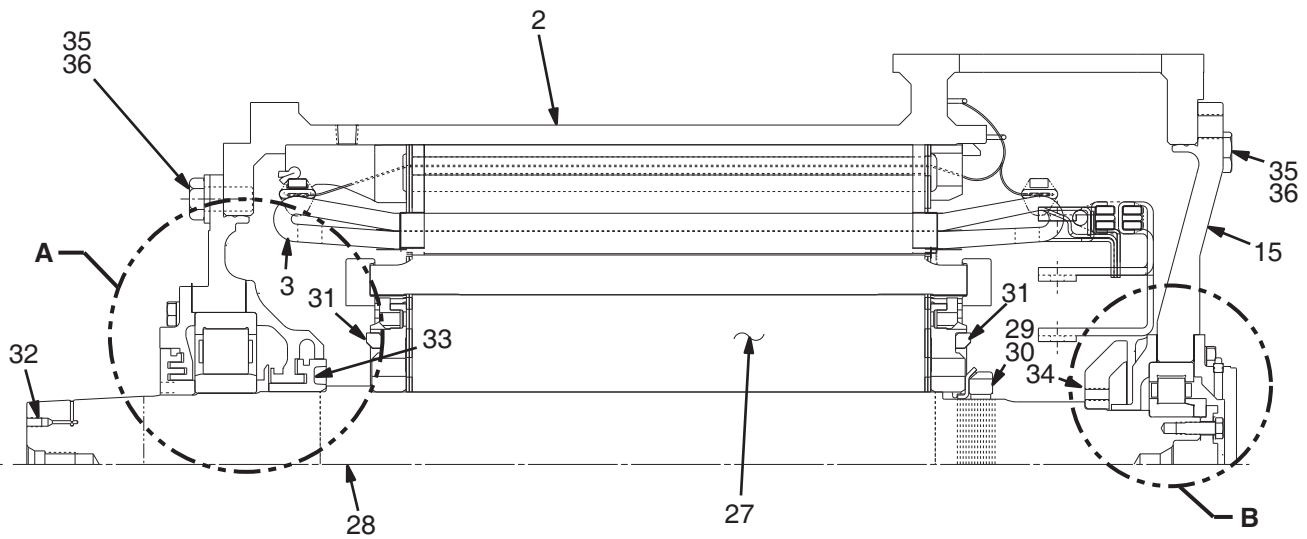
AC MOTOR MODEL 5GEB22D4

23-FEB-2010

© 2006 General Electric Company. All rights reserved. The information contained in this publication is the property of General Electric Company and is disclosed in confidence. This publication is intended for use by GE customers solely for purposes of operating and conducting normal running maintenance of purchased or licensed GE products, and it shall not be reproduced, redistributed, retransmitted, translated, abridged, adapted, condensed, revised or otherwise modified, in any form, in whole or in part, or used for any other purpose, without the express written consent of GE. However, if a GE customer ("Customer") requires additional copies of this document or portions thereof for internal use, GE hereby grants to Customer a limited right to reproduce this publication, in whole or in part, and Customer agrees to use such authorized copies ("Copies") solely for its intended purposes. Any Copies made under this limited reproduction right shall contain this notice and any other legal notices appearing in this publication. The Customer shall be responsible for complying with U.S. export control laws with respect to distribution of all Copies.

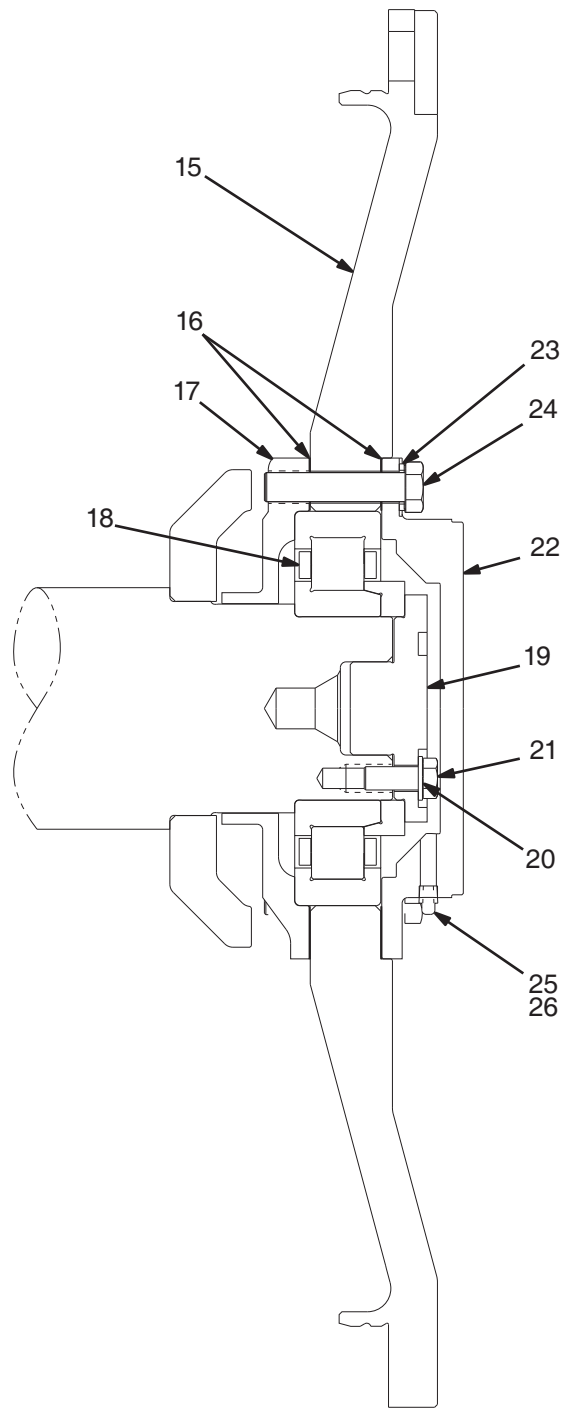
GE and Customer agree that the information contained herein does not purport to cover all details or variations in GE products or to provide for every possible contingency with installation, operation or maintenance. Should further information be desired or should particular problems arise that are not covered sufficiently for the user's purposes, the matter should be referred to General Electric Company. Any applicable Federal, State or local regulations or company safety or operating rules must take precedence over any information or instructions given in the Technical Documentation. GE has no obligation to keep the material up to date after the original publication.

GENERAL ELECTRIC COMPANY EXPLICITLY DISCLAIMS ALL WARRANTIES OF ACCURACY, MERCHANTABILITY OR FITNESS FOR ANY PURPOSE IN CONNECTION WITH THE TECHNICAL DOCUMENTATION AND USE THEREOF.



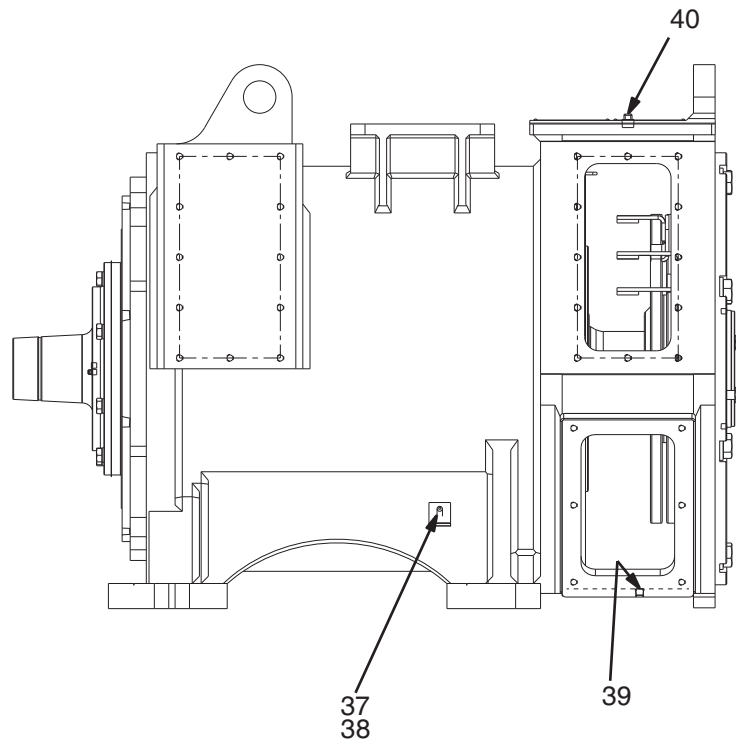
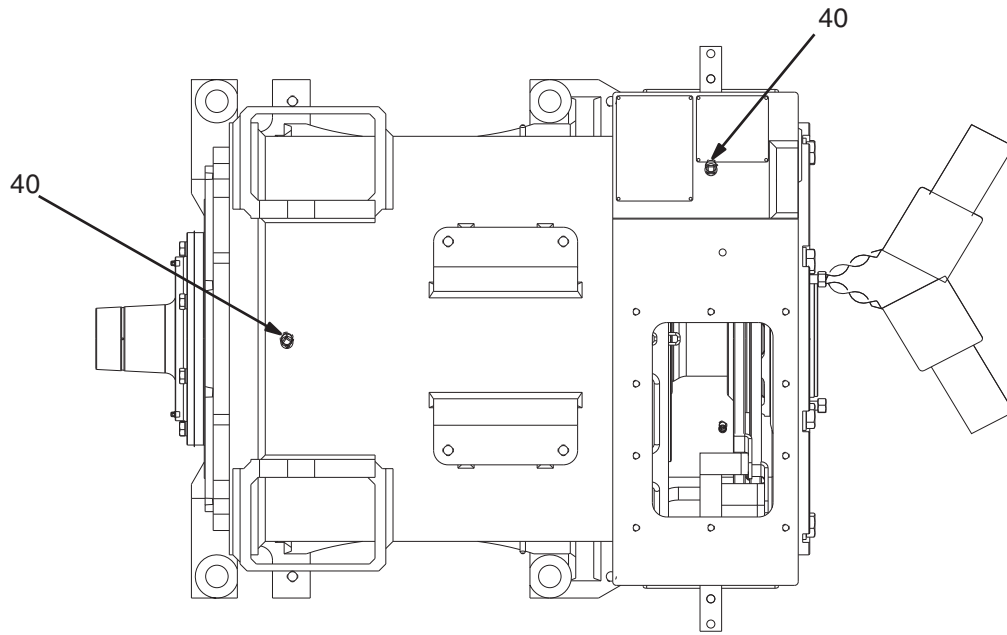
DETAIL A

Ref. 1
(Representative Illustration)
FIG. 1



DETAIL B

(Representative Illustration)
FIG. 1 (Cont'd)



(Representative Illustration)
FIG. 2

GE Proprietary and Confidential Information
UNCONTROLLED COPY

PB-31107-013

AC MOTOR MODEL 5GEB22D4

See On-Line Master for Current Revision

FIG. NO.	REF. NO.	PART NO.	QTY	DESCRIPTION
1	1	5GEB22D4	1	AC MOTOR (SEE PB-31107-013)
1	2	84E902459G1	1	STATOR ASSEMBLY
1	3	84E902459G2	1	STATOR REWIND KIT
1	4	6744700P2	1	BEARING CAP, INNER
1	5	4713640P1	1	FLINGER, 8 1/4 IN OD
1	6	8864951P167	1	ROLLER BEARING
1	7	4732906P1	2	GASKET, 0.021 IN THICK, 15 IN OD
1	8	41C637314P1	1	FRAME HEAD
1	9	84B512960P1	1	BEARING CAP
1	10	41B537660P9	8	WASHER, FLAT, 0.725 IN ID, 1 IN OD
1	11	N22P33060	8	BOLT, HEX HD, 5/8 IN-11, 3 3/4 IN LONG
1	12	N5700P21	2	PIPE PLUG, SQ HD, SOLID, 1/8 IN
1	13	4732351P1	1	SLEEVE, 9 7/32 IN OD
1	14	3X8717	AR	ADHESIVE PUTTY, 8 OZ CAN W/BRUSH APPLICATOR
1	15	84D713322P1	1	FRAME HEAD
1	16	4732368P1	2	GASKET, 0.021 IN THK
1	17	334B761P1	1	BEARING CAP
1	18	8864951P301	1	ROLLER BEARING
1	19	84B515283P1	1	BEARING CLAMP
1	20	41B537660P6	4	WASHER, FLAT, 0.562 IN ID, 0.938 IN OD
1	21	N22P29020B13	4	BOLT, HEX HD, 1/2 IN-13, 1 1/4 IN LONG
1	22	84B515189P1	1	BEARING CAP
1	23	41B537660P9	8	WASHER, FLAT, 0.725 IN ID, 1 IN OD
1	24	N22P33048B13	8	BOLT, HEX HD, 5/8 IN-11, 3 IN LONG
1	25	N5700P21	2	PIPE PLUG, SQ HD, SOLID, 1/8 IN
1	26	3X8717	AR	ADHESIVE PUTTY, 8 OZ CAN W/BRUSH APPLICATOR
1	27	84C620926G10	1	ROTOR ASSEMBLY
1	28	84D730356P3	1	SHAFT
1	29	8864959P130	1	LOCKWASHER, 150 MM
1	30	8864959P201	1	BEARING NUT
1	31	2766829ADP14	AR	BALANCE WEIGHT, 5/8 IN WIDE
1	32	84A204808P1	1	SET SCREW, OVAL POINT, 0.375 IN-24
1	33	41A232821P1	1	SLEEVE
1	34	84B512988P1	1	COLLAR
1	35	N22P39032	12	BOLT, HEX HD, 1 IN-8, 2 IN LONG
1	36	41B537660P21	12	WASHER, FLAT, 1.063 IN ID, 2 IN OD
2	37	41A235078P57	2	STUD, 3/8 IN-16, 1 3/4 IN LONG
2	38	497A806P78	AR	THREADLOCKER 271, HIGH STRENGTH
2	39	N5700P31	2	PIPE PLUG, SQ HD, 1/4 IN
2	40	N5700P51	2	PIPE PLUG, SQ HD, 1/2 IN
0	41A	84B519250P1	1	HUB

23-FEB-2010