



GE Renewal Parts

Use original equipment parts for reliability
PARTS BULLETIN

UNCONTROLLED COPY

See On-Line Master for Current Revision

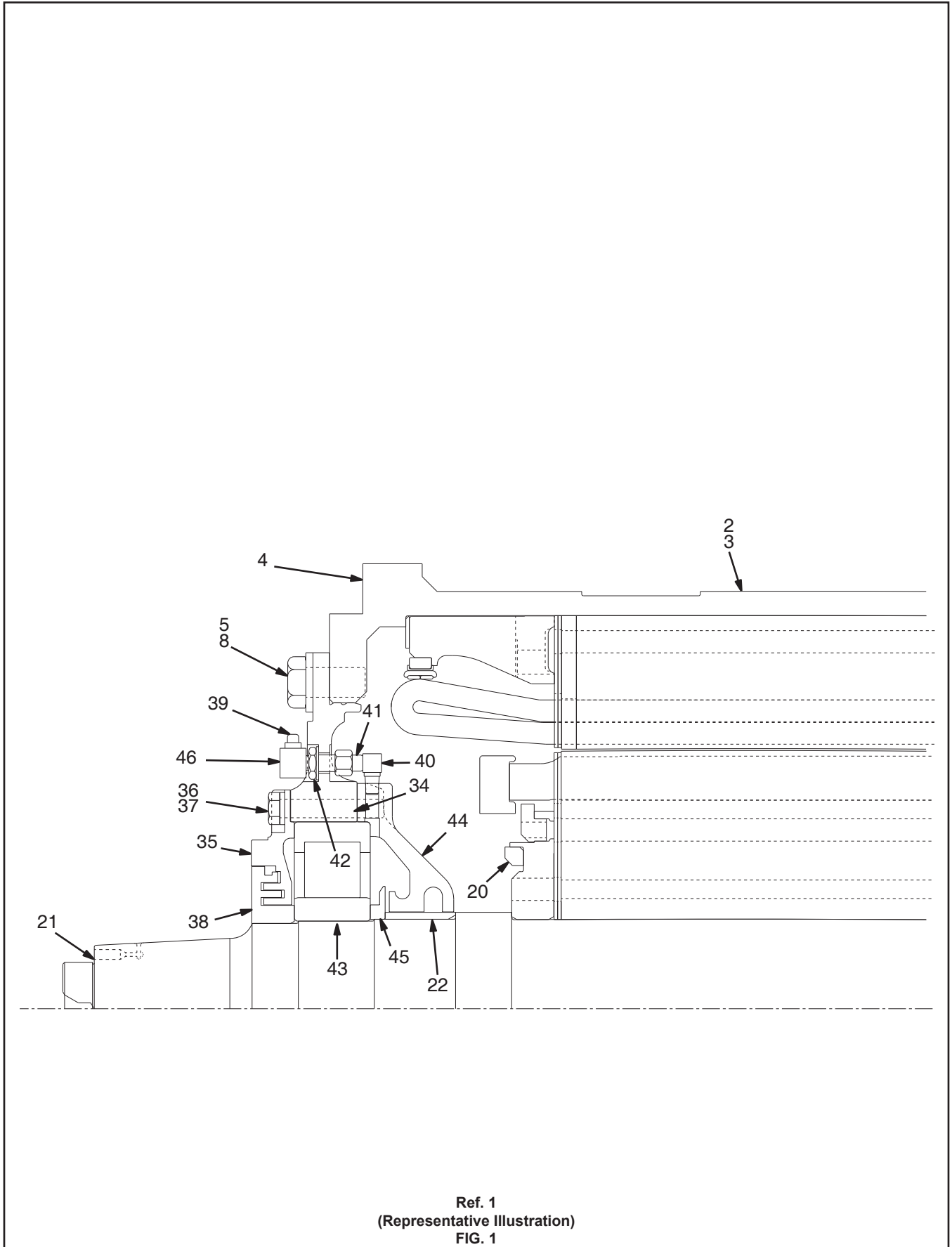
AC MOTOR MODELS 5GEB20B4A THRU 5GEB20B4F

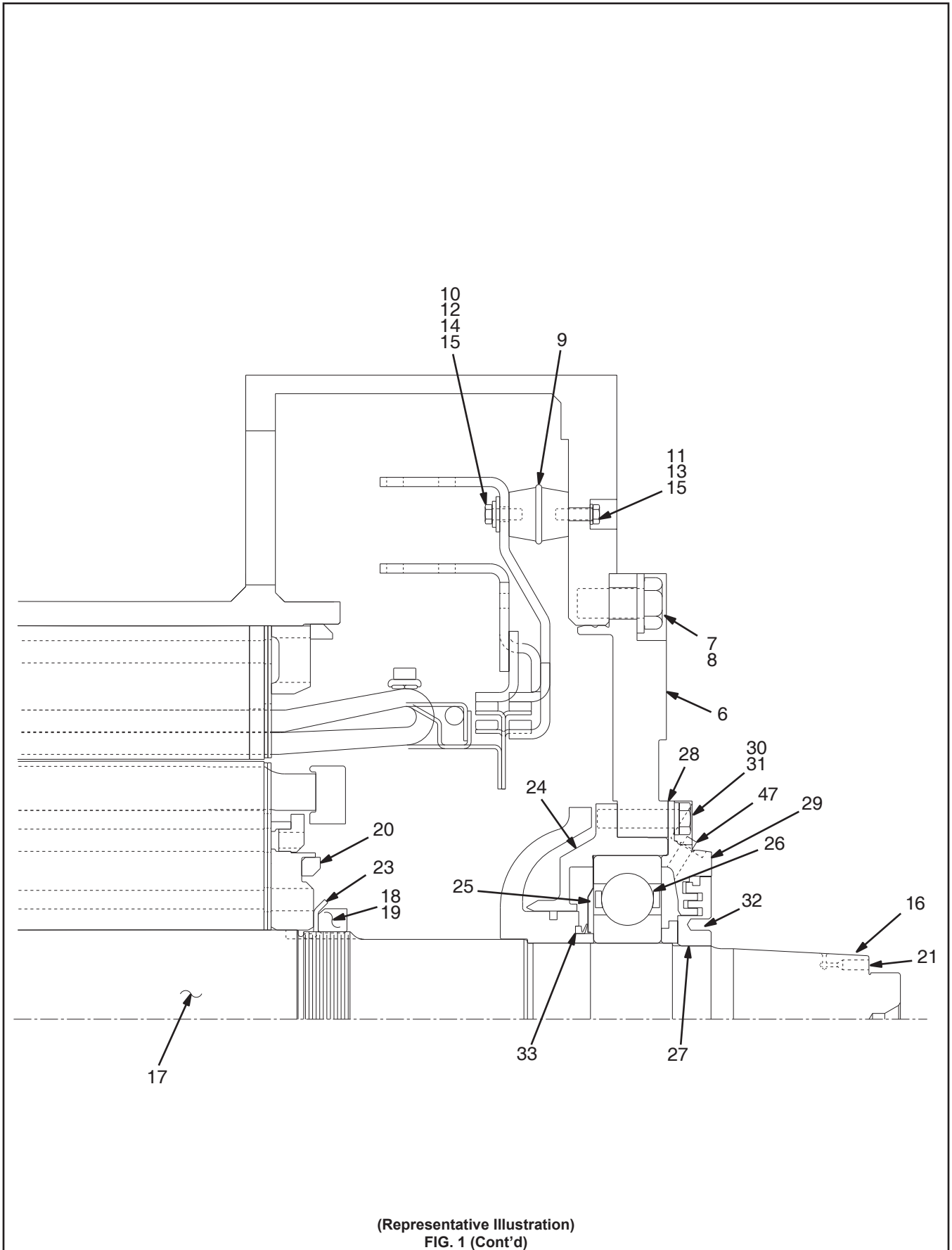
20-FEB-2014

© 2006 General Electric Company. All rights reserved. The information contained in this publication is the property of General Electric Company and is disclosed in confidence. This publication is intended for use by GE customers solely for purposes of operating and conducting normal running maintenance of purchased or licensed GE products, and it shall not be reproduced, redistributed, retransmitted, translated, abridged, adapted, condensed, revised or otherwise modified, in any form, in whole or in part, or used for any other purpose, without the express written consent of GE. However, if a GE customer ("Customer") requires additional copies of this document or portions thereof for internal use, GE hereby grants to Customer a limited right to reproduce this publication, in whole or in part, and Customer agrees to use such authorized copies ("Copies") solely for its intended purposes. Any Copies made under this limited reproduction right shall contain this notice and any other legal notices appearing in this publication. The Customer shall be responsible for complying with U.S. export control laws with respect to distribution of all Copies.

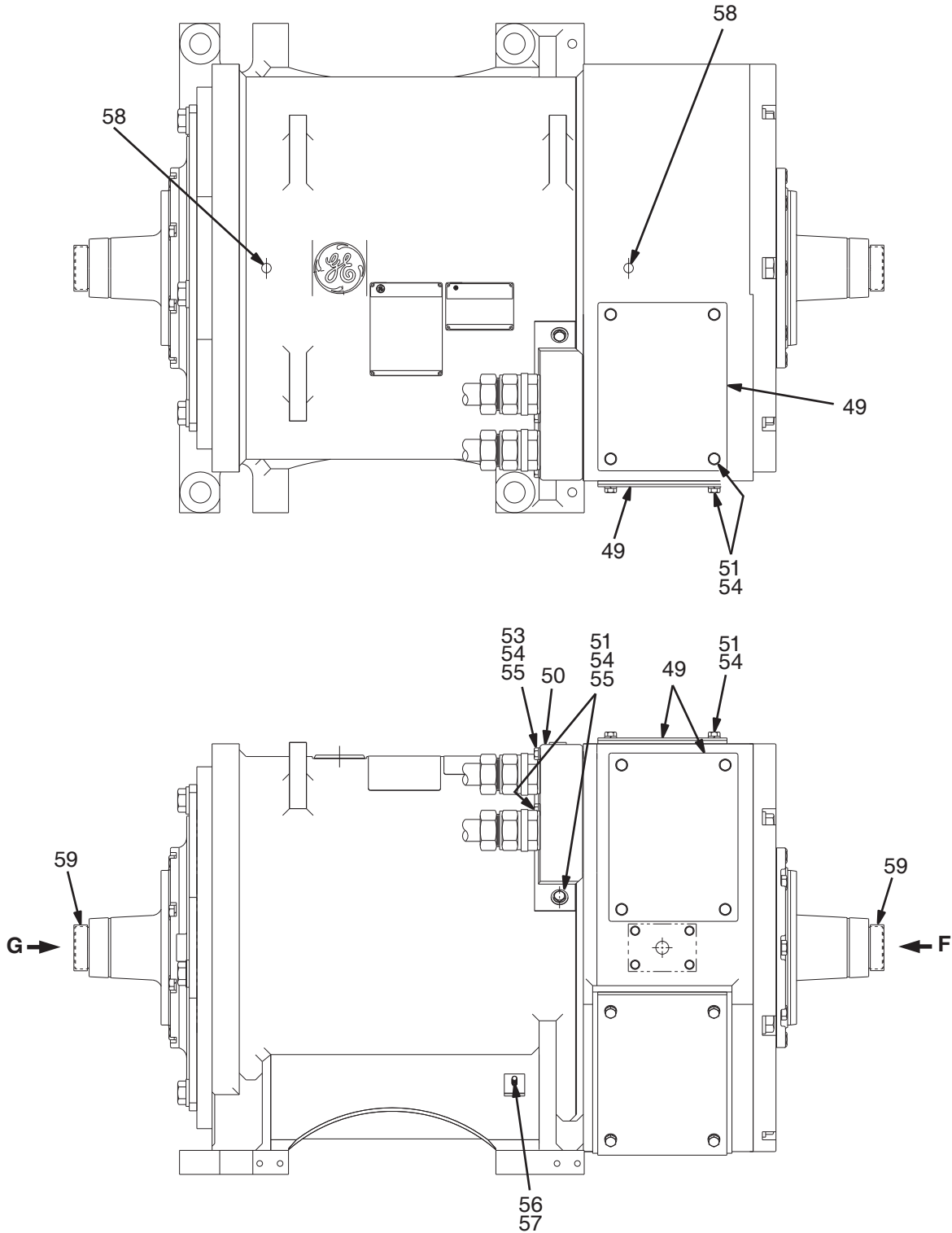
GE and Customer agree that the information contained herein does not purport to cover all details or variations in GE products or to provide for every possible contingency with installation, operation or maintenance. Should further information be desired or should particular problems arise that are not covered sufficiently for the user's purposes, the matter should be referred to General Electric Company. Any applicable Federal, State or local regulations or company safety or operating rules must take precedence over any information or instructions given in the Technical Documentation. GE has no obligation to keep the material up to date after the original publication.

GENERAL ELECTRIC COMPANY EXPLICITLY DISCLAIMS ALL WARRANTIES OF ACCURACY, MERCHANTABILITY OR FITNESS FOR ANY PURPOSE IN CONNECTION WITH THE TECHNICAL DOCUMENTATION AND USE THEREOF.

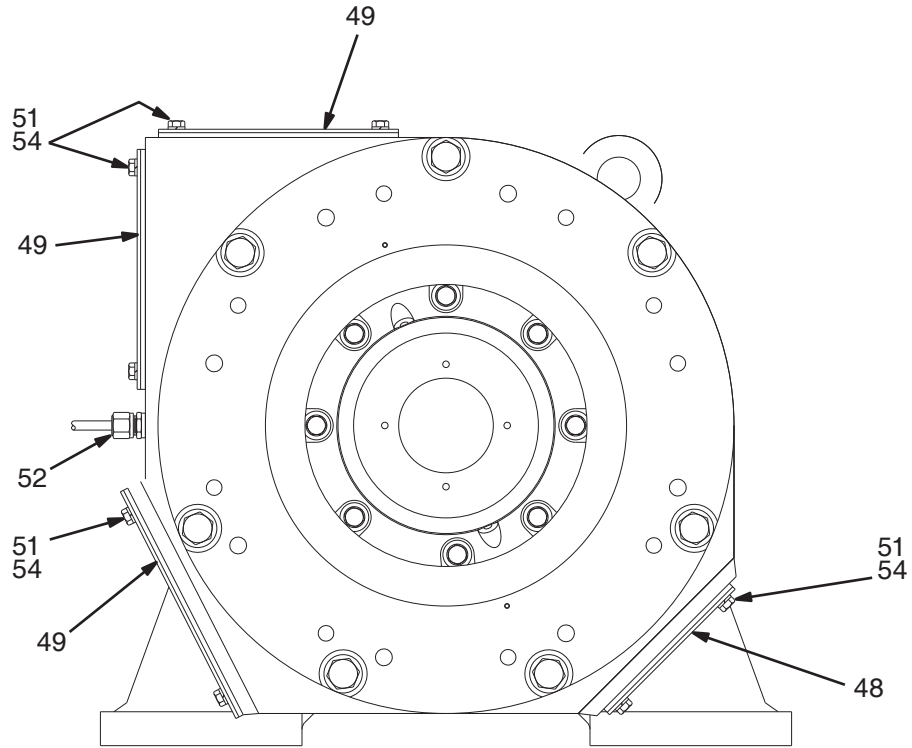




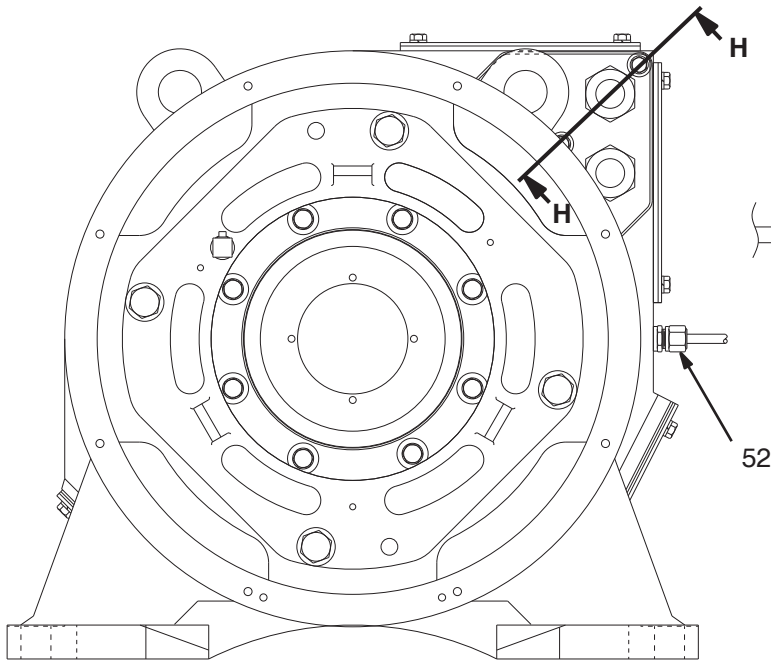
(Representative Illustration)
FIG. 1 (Cont'd)



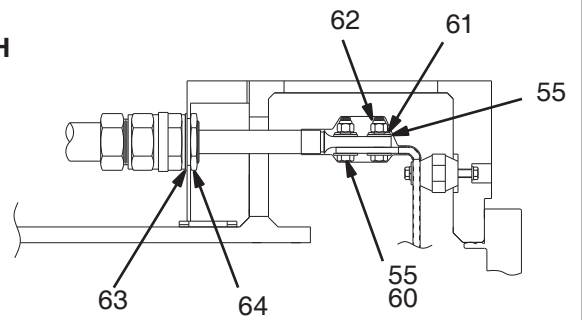
(Representative Illustration)
FIG. 2



VIEW F



VIEW G



SECTION H-H

(Representative Illustration)
FIG. 2 (Cont'd)

GE Proprietary and Confidential Information
UNCONTROLLED COPY

PB-31107-015A

AC MOTOR MODELS 5GEB20B4A THRU 5GEB20B4F

See On-Line Master for Current Revision

FIG. NO.	REF. NO.	PART NO.	QTY	DESCRIPTION
1	1	5GEB20B4	1	AC MOTOR FOR 5GEB20B4A THRU B4F (SEE PB-31107-015)
0	1A	5GEB20B4A	1	AC MOTOR
0	1B	5GEB20B4B	1	AC MOTOR
0	1C	5GEB20B4C	1	AC MOTOR
0	1D	5GEB20B4D	1	AC MOTOR
0	1E	5GEB20B4E	1	AC MOTOR
0	1F	5GEB20B4F	1	AC MOTOR
1	2	84E902468G1	1	STATOR ASSEMBLY WITH FRAME HEADS
1	3	84E902468G2	1	STATOR ASSEMBLY REWIND KIT
1	4	41C636958P1	1	FRAME HEAD
1	5	N22P39032	4	BOLT, HEX HD, 1 IN-8, 2 IN LONG
1	6	84D706980P1	1	FRAME HEAD
1	7	N22P39036	7	BOLT, HEX HD, 1 IN-8, 2 1/4 IN LONG
1	8	41B537660P20	11	WASHER, FLAT, 1.063 IN ID, 2 IN OD
1	9	41A260128P3	3	INSULATOR, 3/8 IN-16 THREADS, BOTH ENDS
1	10	N22P25016B13	3	BOLT, HEX HD, 3/8 IN-16, 1 IN LONG
1	11	N22P25020B13	3	BOLT, HEX HD, 3/8 IN-16, 1 1/4 IN LONG
1	12	N405P43B13	3	LOCKWASHER, 3/8 IN
1	13	41B537660P1	3	WASHER, FLAT, 0.435 IN ID, 0.675 IN OD
1	14	41B537660P2	3	WASHER, FLAT, 0.435 IN ID, 1.188 IN OD
1	15	497A806P83	AR	LOCTITE 242
1	16	84C618205G3	1	ROTOR ASSEMBLY
1	17	84C618204G1	1	SHAFT ASSEMBLY
1	18	8864959P130	1	LOCKWASHER, 150 MM
1	19	8864959P201	1	BEARING NUT
1	20	2766829ADP14	AR	BALANCE WEIGHT, 5/8 IN WIDE
1	21	84A204808P1	2	SET SCREW, OVAL POINT, 0.375 IN-24
1	22	41A239330P1	1	COLLAR
1	23	41B539181P2	1	GEAR, SPEED SENSOR
1	24	41C637267P1	1	BEARING HOUSING
1	25	84A216663P1	1	SEAL RING, NILOS
1	26	8864950P365	1	BALL BEARING
1	27	41A237207P1	1	SPACER, 6 5/8 IN OD
1	28	493A546P1	1	GASKET, 14 11/16 IN OD
1	29	41B537478P1	1	BEARING CAP, COMMUTATOR END
1	30	N405P47B13	8	LOCKWASHER, 5/8 IN
1	31	N22P33044B13	8	BOLT, HEX HD, 5/8 IN-11, 2 3/4 IN LONG
1	32	493A540P1	1	SLEEVE, 9 19/32 IN OD
1	33	41A330363P1	1	V-RING SEAL
1	34	4732906P1	2	GASKET, 0.021 IN THICK, 15 IN OD
1	35	2739317P1	1	BEARING CAP
1	36	N405P47B13	8	LOCKWASHER, 5/8 IN
1	37	N22P33056B13	8	BOLT, HEX HD, 5/8 IN-11, 3 1/2 IN LONG
1	38	4732351P1	1	SLEEVE, 9 7/32 IN OD
1	39	N5700P31	1	PIPE PLUG, SQ HD, 1/4 IN
1	40	41A330230P4	1	SWIVEL ADAPTER, 90 DEG
1	41	41A330230P3	1	TUBE UNION, BULKHEAD
1	42	N402P46B13	2	WASHER, 9/16 IN
1	43	8864951P167	1	ROLLER BEARING

GE Proprietary and Confidential Information

UNCONTROLLED COPY

PB-31107-015A

AC MOTOR MODELS 5GEB20B4A THRU 5GEB20B4F

See On-Line Master for Current Revision

FIG. NO.	REF. NO.	PART NO.	QTY	DESCRIPTION
1	44	41C636257P4	1	BEARING CAP, PINION END
1	45	4713640P1	1	FLINGER, 8 1/4 IN OD
1	46	41A330283P1	1	FITTING, 90 DEG
1	47	N5700P31	2	PIPE PLUG, SQ HD, 1/4 IN
0	47A	497A806P60	AR	ADHESIVE, RTV SILMATE 1473
2	48	41A239914G1	1	INSPECTION COVER, HAND HOLE
2	49	41D732878G4	3	INSPECTION COVER, LOWER
2	50	84D706904G2	1	COVER WITH CABLE HOLES
2	51	N22P29016B13	19	BOLT, HEX HD, 1/2 IN-13, 1 IN LONG
2	52	84B512994P3	1	CONDUIT FITTING, 1.75 IN LONG
2	53	N22P29064B13	1	BOLT, HEX HD, 1/2 IN-13, 4 IN LONG
2	54	N405P45B13	20	LOCKWASHER, 0.50 IN
2	55	N402P45B13	16	WASHER, 1/2 IN (NARROW)
2	56	41A235078P57	1	STUD, 3/8 IN-16, 1 3/4 IN LONG
2	57	497A806P78	AR	THREADLOCKER 271, HIGH STRENGTH
2	58	N5700P51	2	PIPE PLUG, SQ HD, 1/2 IN
2	59	41A235989P10	2	PLUG
2	60	N22P29032B13	6	BOLT, HEX HD, 1/2 IN-13, 2 IN LONG
2	61	84A204409P2	6	SPRING WASHER, 1/2 IN BOLT
2	62	41A260076P5	6	NUT, SELF LOCKING, 1/2 IN-13
2	63	84A205450P3	3	SEALING WASHER, M50, NYLON
2	64	84A205450P4	3	LOCKNUT, M50, BRASS
0	65A	84E904704G1	AR	BREATHER KIT INSTALL
0	66A	493A471P1	AR	HUB, 9.120 IN OD, POWER TAKE-OFF
0	67A	84C619745G5	AR	CABLE ASSEMBLY

20-FEB-2014