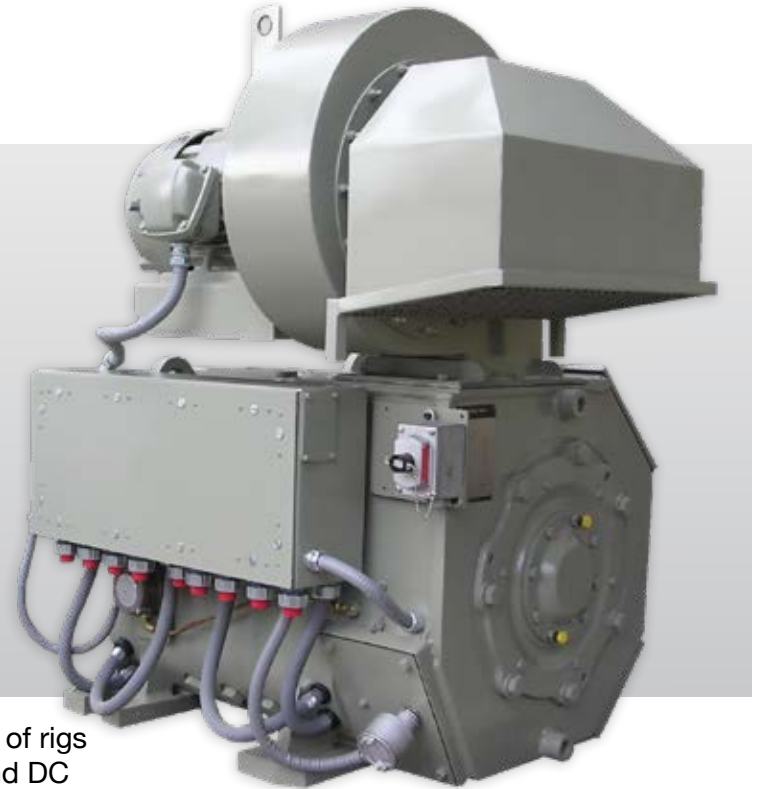




Fact Sheet

Unparalleled Performance

5GE752 High-Torque DC Drilling Motor



Reliable, compact and powerful choices for all types of rigs from your global leader. Wabtec Corporation's AC and DC motors have delivered industry-leading technology for more than 60 years.

Wabtec's 752 DC drilling motors are performing worldwide on thousands of drill rigs, providing dependable operation of the rig's primary equipment. The 752 DC drilling motors have been reported by rig operators to run for years without service or failure.

5GE752RB - Shunt Wound	Continuous Duty	Intermittent Duty
Ambient Air	-20°C to +40°C	-20°C to +40°C
Rated Volts (DC)	750	750
Armature Amps	1185	1435
Field Amps	60	60
Rated Speed (RPM)	1040	1065
Horsepower (kW)	1130 (840)	1365 (1020)
Torque lb-ft (Nm)	5705 (7735)	6745 (9146)
Required Air Flow (SCFM)	2800	2800
Maximum speed (RPM)	2300	2300
5GE752ARB - Series Wound		
Ambient Air	-20°C to +40°C	-20°C to +40°C
Rated Volts (DC)	750	750
Armature Amps	1150	1400
Rated Speed (RPM)	965	920
Horsepower (kW)	1085 (810)	1320 (985)
Torque lb-ft (Nm)	5900 (8000)	7350 (10210)
Required Air Flow (SCFM)	2800	2800
Maximum speed (RPM)	2300	2300

Quick Facts

- Class H insulation
- Single-shaft extension with hub
- Painted steel pressurized connection box with double bolt-on cable connections and terminations for motor auxiliaries
- Space heater - 240 volts, 185 watts
- Auxiliary lockout switch
- Pressure sensor
- 10 HP blower assembly with rain hood

Marine models also include:

- Winding RTDs-100 ohm platinum, 2 per phase
- ABS certified shaft
- Armored cable
- Bolted connection box cover

Optional Features:

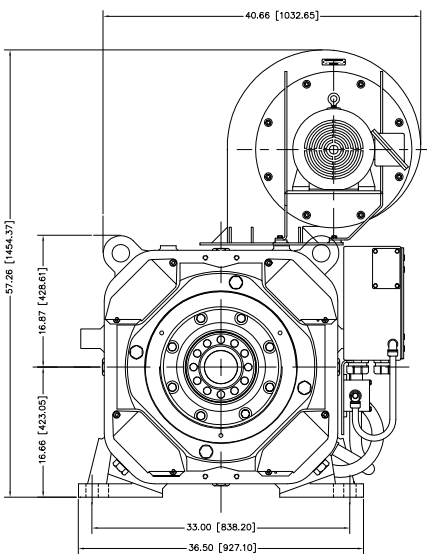
- ATEX certified models available
- Plug-in connectors (Land)
- Encoder
- ABS certification
- Water-to-Air cooled
- 15 HP blower assembly
- Stainless steel connection box
- Spark arrestor
- Double shaft extension
- IP44 protection

5GE752 High-Torque DC Drilling Motor

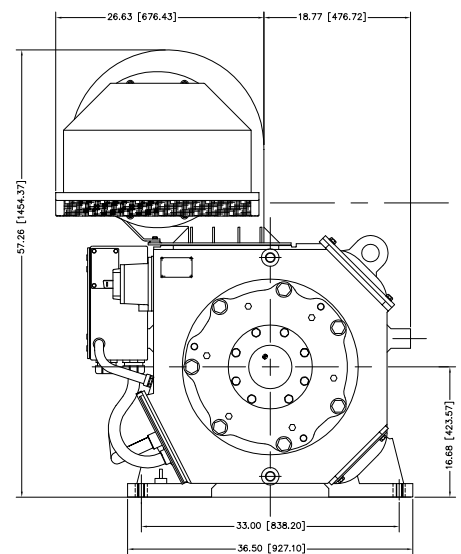
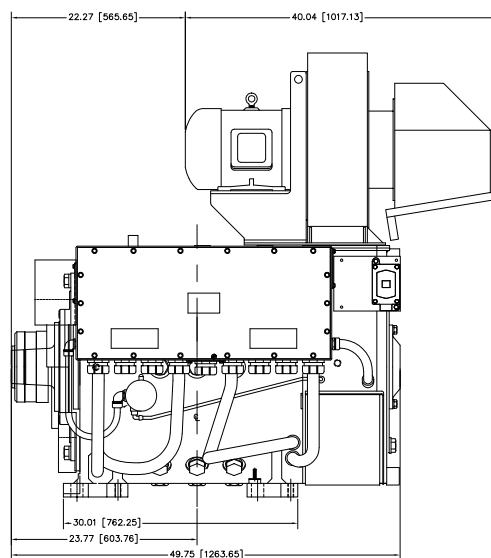
Demanding Applications



- Oil & Gas** Drill rig drawworks, Mud Pumps, Rotary Tables and Top Drives
- Marine** Propulsion, Winches, Thrusters
- Dredge** Cutters, Pumps
- Industrial** Conveyors, Mixers, Compressors, Pumps, Cranes



DRIVE END



NON-DRIVE END

